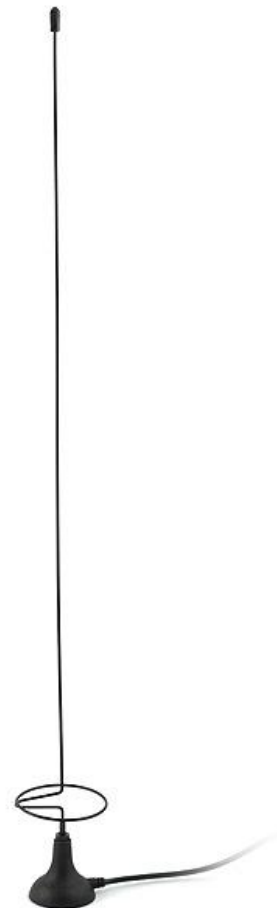




2J330M

(DATASHEET)

Type	Tetra Antenna
Frequencies	TETRA (380 - 500 MHz)
Mounting	Magnetic Mount
Revision	00



A handwritten signature in black ink.

D. Noble

1. SPECIFICATION

1.1. Electrical Specifications

Frequencies	TETRA (380 - 500 MHz)
Impedance	50 Ohms
Polarization	VERTICAL
Gain	5 dBi Max
VSWR	<2:1
Power handling	30W
Operating temperature	-40°C to +85°C

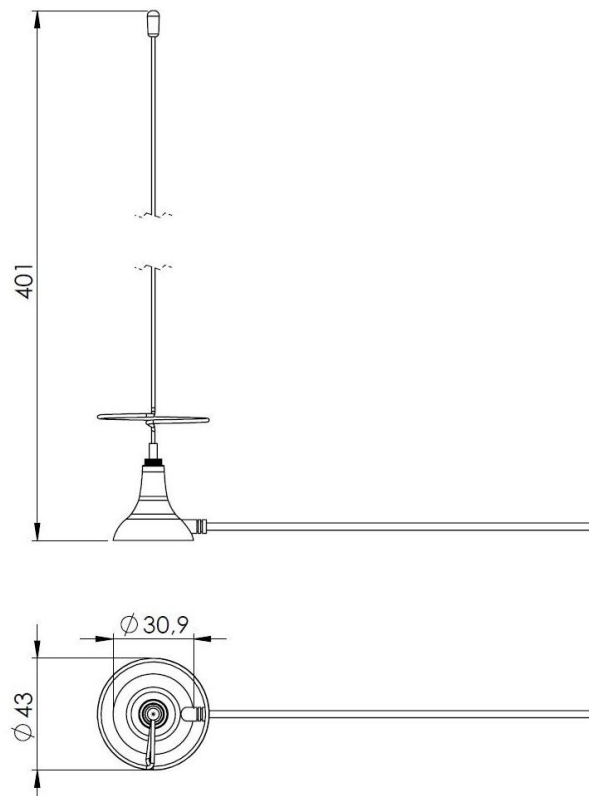
1.2. Connection Specification

Connector type: SMA Male
 Cable: RG174U
 Cable length: 250 cm

For different cable length and connector type ask our sales team.

1.3. Mechanical Specifications and Dimensions

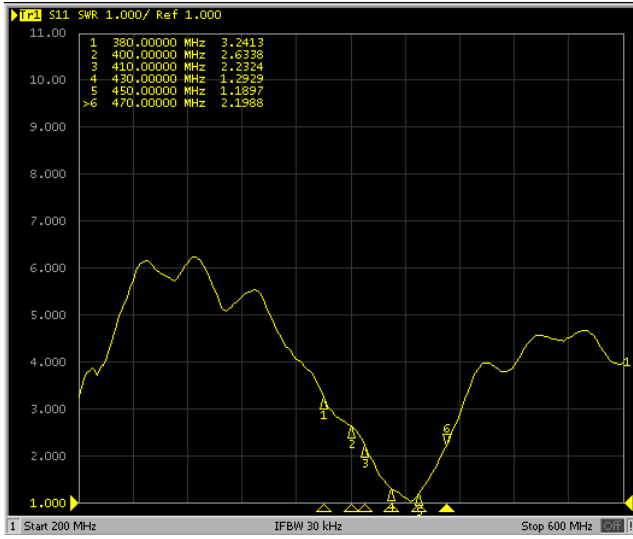
Material: ABS
 Max. dimensions: 43mm x 401mm (D x H)
 Weight: 75g 'weight with connection above'
 Colour: Black (for different colours please ask our sales team)



2. MEASUREMENT

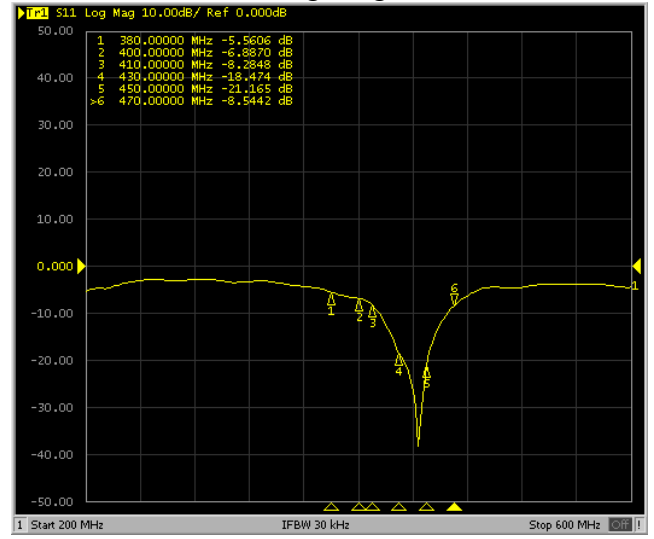
2.1. S11

VSWR



Tested with 250cm cable RG174 with SMA male

Log Mag



Tested with 250cm cable RG174 with SMA male

3. IMAGES

