

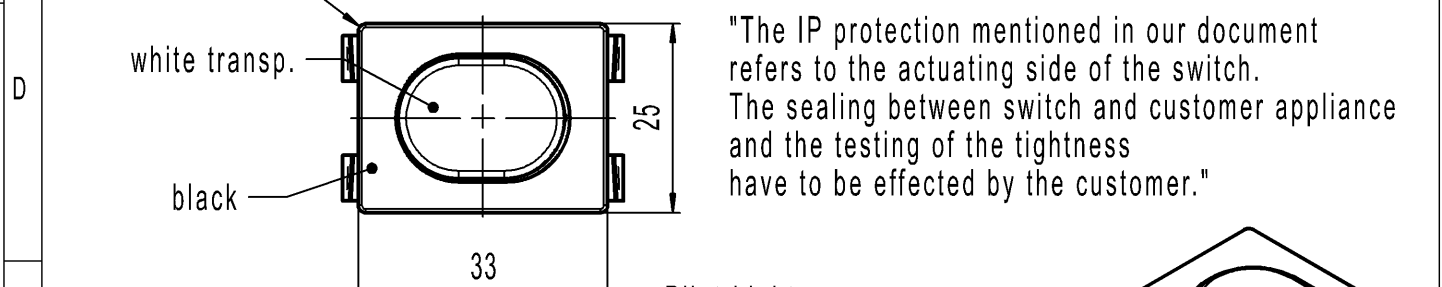
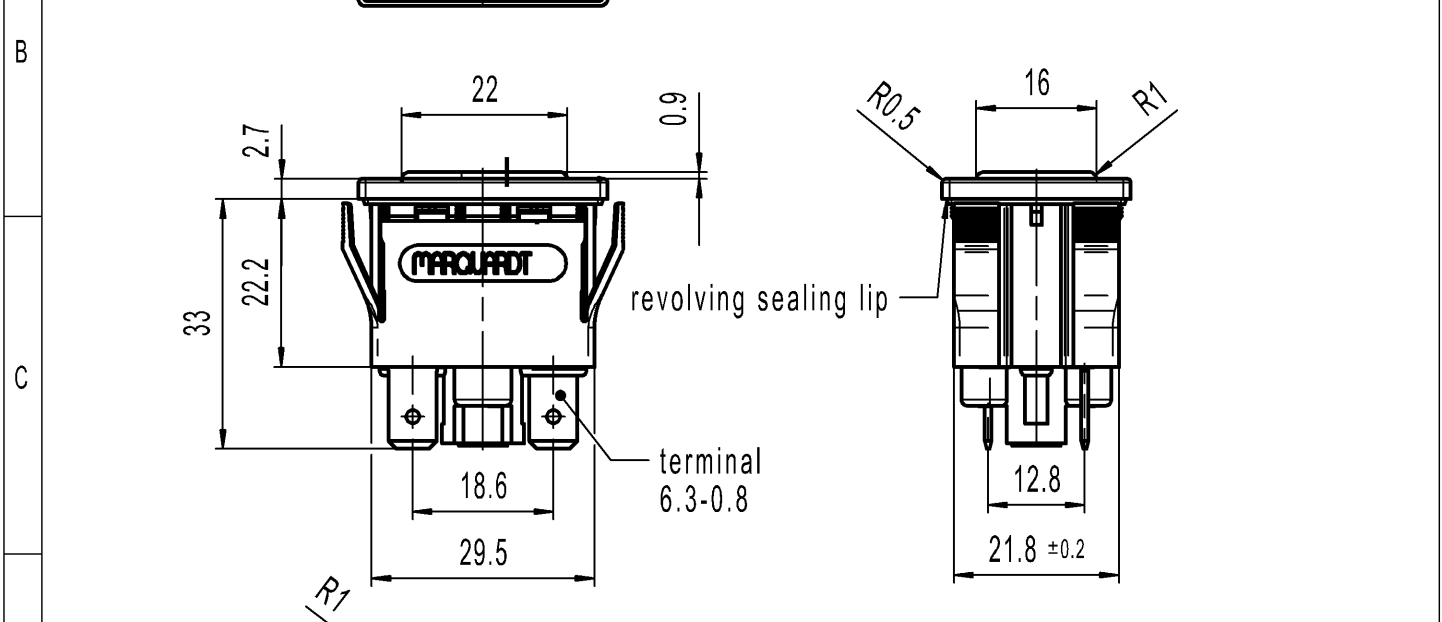
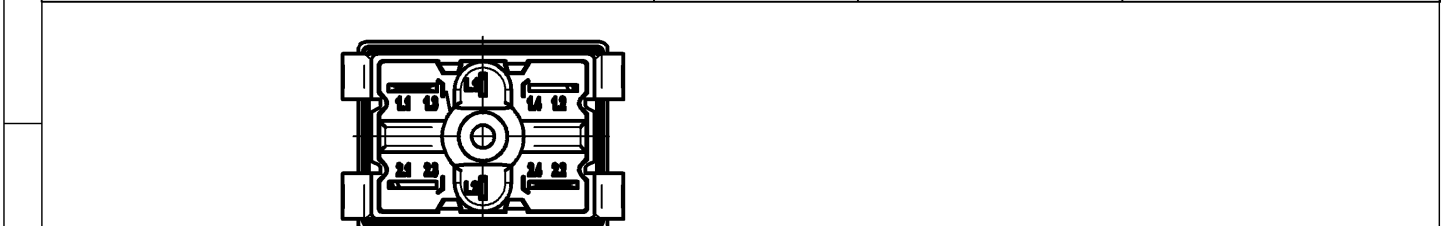
CONFIDENTIAL

VERTRAULICH

THIS DRAWING IS THE EXCLUSIVE PROPERTY OF MARQUARDT. WITHOUT THEIR CONSENT IT MAY NOT BE REPRODUCED OR GIVEN TO THIRD PARTIES.

Alle Rechte bei Marquardt, auch fuer den Fall von Schutzrechtsanmeldungen. Jede Veruegungsbefugnis, wie Kopier- und Weitergaberecht, bei uns.

A	1	2	3	4	
	recommended cut-out for snap-in fixing (edge opposite to snap-in direction)		wall thickness	length of cut-out	width of cut-out
			0.8 to 5	30 +0.15	22.2 +0.15

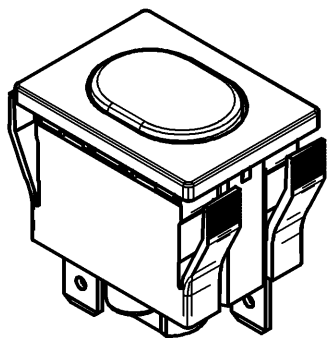


"The IP protection mentioned in our document refers to the actuating side of the switch. The sealing between switch and customer appliance and the testing of the tightness have to be effected by the customer."

Marking
MARQUARDT
 1677.
 230V~ T85°C

Code of manufacture: place/year/week

Pilot Light
 Rubber seal between actuator and housing.
 Neon lamp with Rv for 230V AC
 Suitable for appliance of class II
 Actuating side protected acc. to
 DIN 40 050, IP 54



-	-	-	1677.5306-XX
Figure	Type	Customer Part No.	Art.No.-PI
Shape and location	Angle ± 2°	Sheet 01	Ident. K
	Edge tolerance	Format DIN A4	Document number 16775306
 	Length	Projection	Index c
	Radii	Scale 1:1	Pilot Light
c	137245	All dimensions are in millimetres	
b	36501	System NX V1872	
a	32547	Replacement of	
	30741	Zg.gl.Nr.v.27.11.2000	
Index	MEC-No.	Date (YYYY-MM-DD)	Edited by

