

U.I. Lapp GmbH	DATASHEET	
	EPIC® M23 A1	72004000 12.09.2012

Circular connectors for Servo Cables and encoders
Housings are very flexible - cable connectors with wide clamping range,
receptacle housings for assembling the inserts from the front and rear



Application range

Plant engineering
Servo drives and servo assemblies
Measurement and control technology

Product features

Panel-mount base, straight entry
Front wall-mounting

Remark

Photographs are not to scale and do not represent detailed images of the respective products.

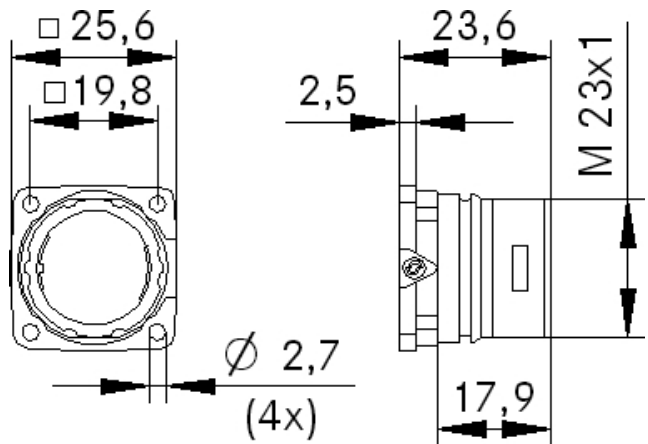
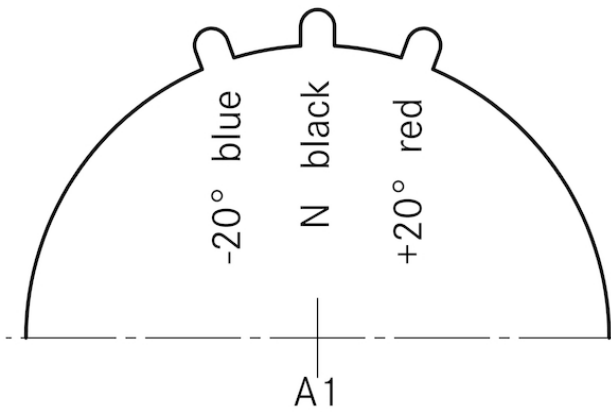
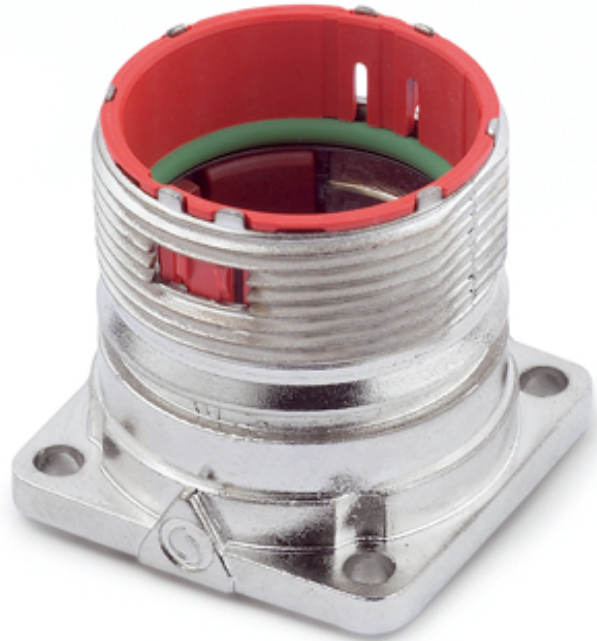
Technical Data

Pieces / PU:	5
Fastening type:	Ø 2.7 mm (4x)
Coding:	black (N)
Article:	M23 A1
Material:	Housing: nickel-plated zinc die-casting Sealing: FPM
Protection rating:	IP68 (10h / 1m)
Temperature range:	-25°C - +125°C
VDE-tested:	Certified production control: VDE-REG. no. 24



Product Management	Document: EPIC® M23 A1	1 / 2
--------------------	------------------------	-------

U.I. Lapp GmbH	<h1>DATASHEET</h1>	
	EPIC® M23 A1	72004000 12.09.2012



Product Management	Document: EPIC® M23 A1	2 / 2
--------------------	------------------------	-------