



4-channel analog output; 0 ... 10 VDC

Item No.: 750-559



4-channel analog output; 0 ... 10 VDC

Marking

RoHS
Compliant

Business data

Supplier	WAGO
Item no.	750-559
GTIN / EAN	4045454490447
Content	1
Order amount	1
Customer item number	

Notes

Item description: The analog output module generates signals of a standard magnitude 0–10V. The output signal is electrically isolated and transmitted with a resolution of 12 bits. The internal system supply powers the module. The output channels of the module have a common ground potential.

Technical data

Miscellaneous

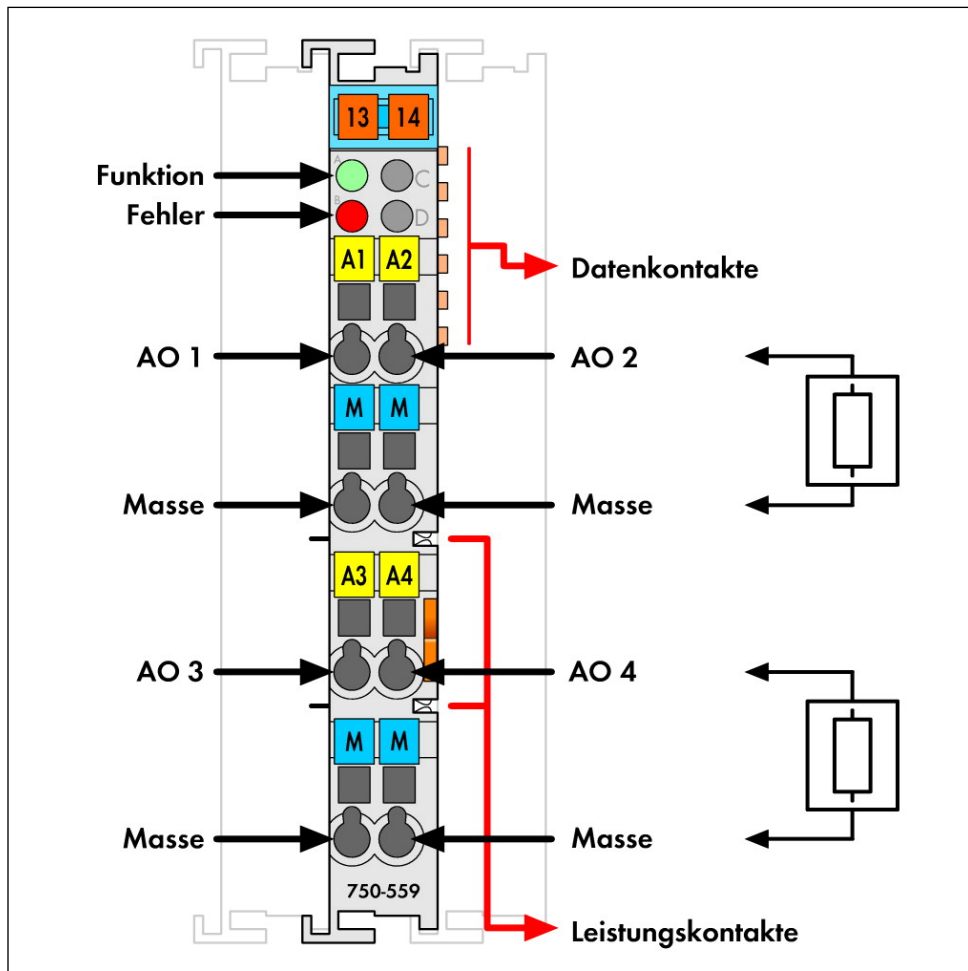
Packaging type	BOX
Number of analog outputs	4
Total number of channels (module)	4
Type of signal	Voltage

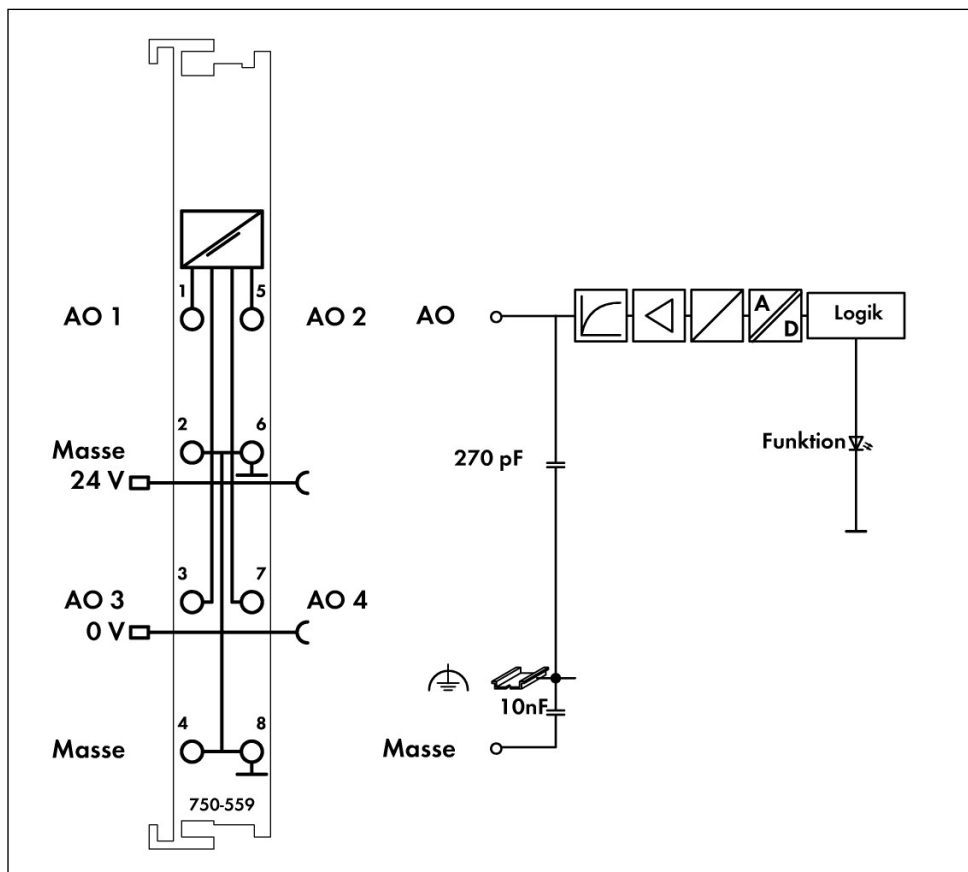
Technical data	
Type of signal voltage	DC 0 ... 10 V
Actuator connection	4 x (2-conductor)
Resolution [bit] [Bit]	12 [Bit]
Bit width	4 x 16-bit data; 4 x 8-bit control/status (optional)
Load impedance (output/voltage)	> 5 k
Conversion time (typ.) [ms]	10 [ms]
Mess-/Ausgabefehler, Bezugstemperatur [°C]	25 [°C]
Mess-/Ausgabefehler, Abweichung [% of the full scale value]	±0.1 [% of the full scale]
Temperaturkoeffizient [%/K vom größten Messbereich]	±0.01 [%/K vom größten Mess]
Recovery time (typ.)	100 ms
System supply voltage	DC 5 V; via data contacts
Current consumption, system supply [mA]	125 [mA]
Field supply voltage	DC 24 V (-25 ... +30 %); via power jumper contacts
Isolation	500 V system/supply
Number of incoming power jumper contacts	2
Number of outgoing power jumper contacts	2
Current carrying capacity of the power jumper contacts [A]	10 [A]
Number of connections: Inputs/outputs	8
Connection technology: inputs/outputs	CAGE CLAMP®
Connection type (1)	Ein-/Ausgänge
Solid conductor	0.08 ... 2.5 mm ² / 28 ... 14 AWG
Fine-stranded conductor	0.08 ... 2.5 mm ² / 28 ... 14 AWG
Strip length	8 ... 9 mm / 0.31 ... 0.35 Inch
Width	12 mm / 0.472 Inch
Height	69.8 mm / 2.748 Inch
Height from upper-edge of DIN-35 rail	62.6 mm / 2.465 Inch
Depth	100 mm / 3.937 Inch
Type of mounting	Carrier rail 35 x 15
Color	light gray
Fire load [MJ]	1.222 [MJ]
Weight [g]	51 [g]
Conformity marking	CE
Ambient temperature (operation)	0 ... 55 °C
Ambient temperature (storage)	-25 ... 85 °C

Technical data	
<i>Degree of protection</i>	<i>IP20</i>
<i>Relative air humidity (no condensation) [%]</i>	<i>95 [%]</i>
<i>Vibration resistance</i>	<i>acc. to IEC 60068-2-6</i>
<i>Shock resistance</i>	<i>acc. to IEC 60068-2-27</i>
<i>EMC immunity to interference</i>	<i>acc. to EN 61000-6-2, marine applications</i>
<i>EMC emission of interference</i>	<i>acc. to EN 61000-6-4, marine applications</i>
<i>Zulässige Schadstoffkonzentration H2S bei einer r</i>	<i>10 [ppm]</i>
<i>Zulässige Schadstoffkonzentration SO2 bei einer r</i>	<i>25 [ppm]</i>
<i>Product Family</i>	<i>750/753 Series I/O-System</i>
<i>Main product function</i>	<i>Analog output</i>
<i>Product type</i>	<i>Analog modules</i>

Images & drawings







Address

WAGO Kontakttechnik GmbH & Co. KG

Hansastr. 27

32423 Minden

Telefon: 0571/887-0

Fax: 0571/887-169

<http://www.wago.com>

© WAGO Kontakttechnik GmbH & Co. KG

Technische Änderungen und Irrtümer vorbehalten.