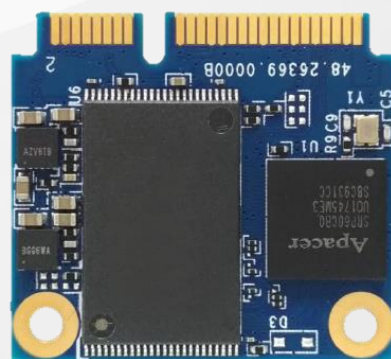


The Most **Reliable** Storage For Industries

SV170-300B mSATA mini



SV170-300B mSATA mini

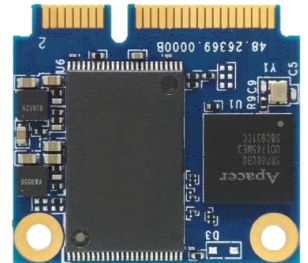
Overview

Apacer's SV170-300B utilizes 3D NAND for higher capacity up to 240 GB and provides more power efficiency than 2D NAND with compact form factor (mSATA, JEDEC MO-300B) and great performance. Designed in SATA 6 Gb/s interface, the mSATA SSD is able to deliver exceptional read/write speed, making it the ideal companion for heavy-loading embedded or server operations with space constraints for host computing systems.

Regarding reliability, SV170-300B is implemented with LDPC (Low Density Parity Check) ECC engine to extend SSD endurance and increase data reliability while reading raw data inside a flash chip. In addition, the drive comes with various implementations including power saving modes, Global Wear Leveling, flash block management, S.M.A.R.T., TRIM, power failure management and Hyper Cache technology.

Feature

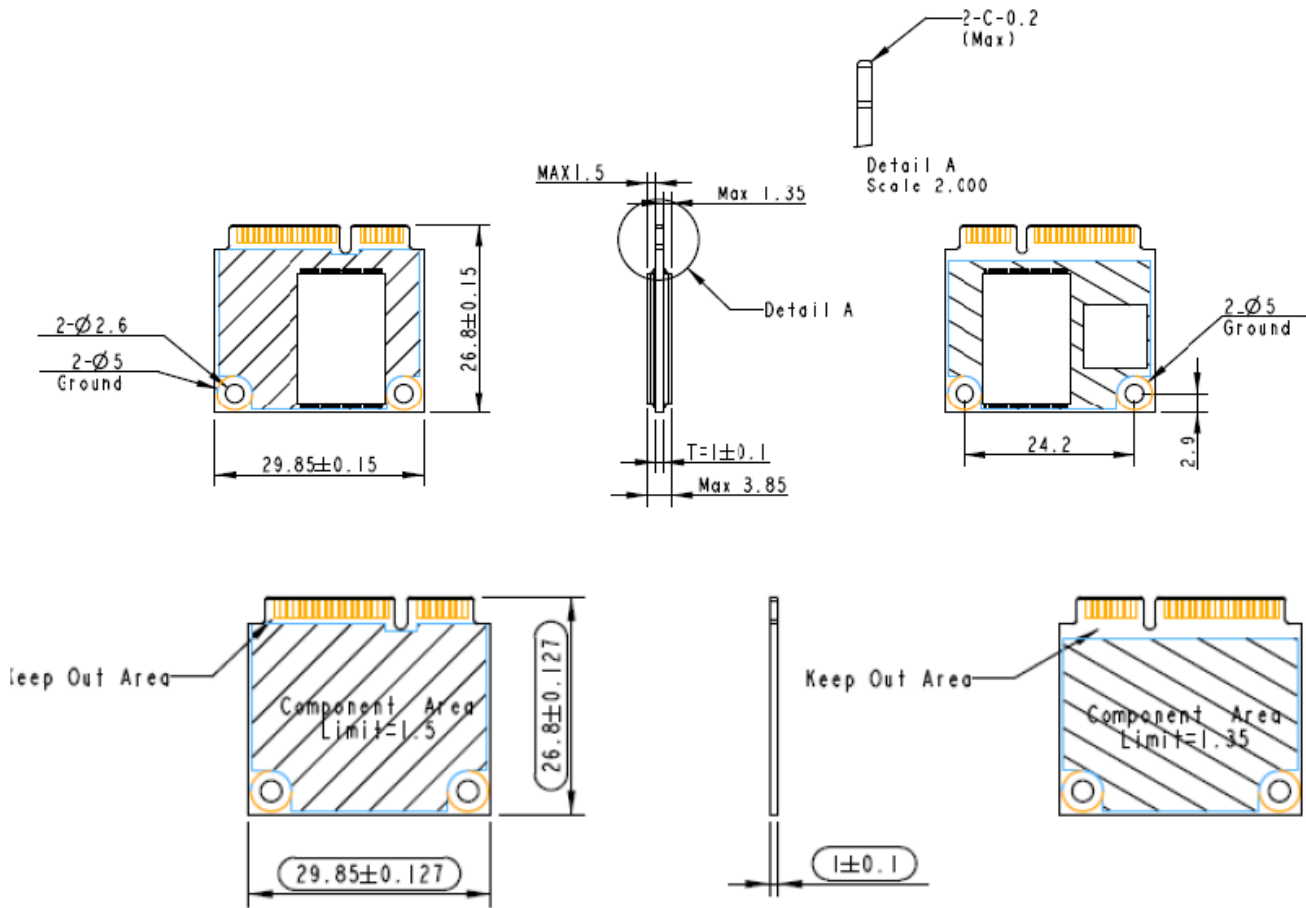
- Adopts advanced LDPC ECC engine with 3D NAND flash memory to improve reliability
- Global Wear Leveling
- Flash bad-block management
- Flash Translation Layer: Page Mapping
- Supports SSDWidget S.M.A.R.T function
- Power Failure Management
- End-to-End Data Protection
- TRIM Support
- ATA Secure Erase
- Hyper Cache Technology
- Over-Provision
- SMART Read Refresh™



Specifications

Model	SV170-300B
Interface	SATA 3.2 (6Gb/s)
Connector	52-pin mSATA connector
Form Factor	JEDEC MO-300B
NAND Flash Type	3D TLC
Capacity	30GB~240GB
External DRAM	No
Sustained Read Performance (MB/sec)	Up to 560
Sustained Write Performance (MB/sec)	Up to 450
ECC Engine	Low-Density Parity-Check (LDPC) Code
IOPS (4K Random Write)	80K
Standard Operating Temperature (°C)	0 ~ + 70
Storage Temperature (°C)	-40 ~ + 100
H/W Write Protect	No
Thermal Sensor	Yes
Shock	Operation: 50G/11ms (compliant with MIL-STD-202G) Non-operation: 1500G/0.5ms (compliant with MIL-STD-883K)
Vibration	Operation: 7.69 Grms, 20~2000 Hz/random (compliant with MIL-STD-810G) Non-operation: 4.02 Grms, 15 ~ 2000 Hz/sine (compliant with MIL-STD-810G)
Operating Voltage	3.3 V ± 5%
Power Consumption	Active mode: 415 mA / Idle mode: 105 mA
Dimension (L x W x H)	29.85 x 26.80 x 3.85 (mm)
MTBF (hours)	>3,000,000

Mechanical Specification



Unit: mm

For more information,
contact your Apacer representative

Global Presence

Taiwan (Headquarters)
Apacer Technology Inc.
Tel: +886-2-2267-8000
Fax: +886-2-2267-2261

Europe
Apacer Technology B.V.
Tel: +31-40-267-0000
Fax: +31-40-290-0686

U.S.A.
Apacer Memory America, Inc.
Tel: +1-408-518-8699
Fax: 1-510-249-9551

China
Apacer Electronic(Shanghai)
Co., Ltd.
Tel: +86-21-6228-9939

Japan
Apacer Technology Corp.
Tel: +81-3-5419-2668
Fax: +81-3-5419-0018

India
Apacer Technologies Pvt. Ltd.
Tel: +91-80-41529061~3
Fax: +91-80-41700215