

IEC Connector C15, Rewireable, Angled



4784

C15

 120° C

**Description**

- Cord Connectors (rewireable):
Screw-on mounting
- 1 Function:

- Connector, Pin temperature 120 °C, Protection class I
- Cable

Approvals

- VDE Certificate Number: 40031778
- UL File Number: E96454
- CSA File Number: 56242

References

Substitute for type 8111; 8943.LW

Weblinks

pdf-datasheet, html-datasheet, General Product Information, Approvals, CE declaration of conformity, RoHS, CHINA-RoHS, Mating Connectors, e-Shop, SCHURTER-Stock-Check, Distributor-Stock-Check, CAD-Drawings, Accessories, Mounting instruction, Detailed request for product

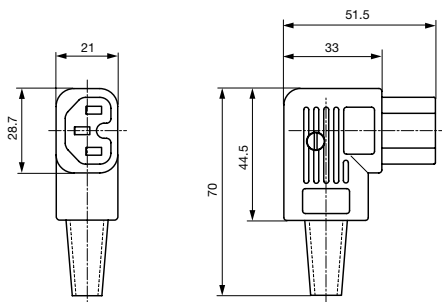
Technical Data

| | |
|---------------------------|---|
| Ratings IEC | 10 A / 250 VAC; 50 Hz |
| Ratings UL/CSA | 15 A / 250 VAC; 60 Hz |
| Dielectric Strength | > 2 kVAC between L-N > 2 kVAC between L/N-PE (1 min/50 Hz) |
| Allowable Operation Temp. | -25 °C to 120 °C |
| Protection Class | Suitable for appliances with protection class I acc. to IEC 61140 |
| Terminal | Cable |
| Material: Housing | Thermoplastic, black, UL 94V-0 |

| | |
|-----------|--|
| Connector | C15 acc. to IEC/EN 60320-1, UL 498, CSA C22.2 no. 42 (for hot conditions) pin-temperature 120 °C, 10 A, Protection Class I |
|-----------|--|

Dimensions

4784

**Variants**

| Color | Max. cable diameter | Max. wire size | Order Number |
|-------|---------------------|--------------------------------------|--------------|
| black | 8.5 mm | 3 x 1 mm ² / 3 x 18 AWG | 4784.0000 |
| black | 10 mm | 3 x 2.1 mm ² / 3 x 14 AWG | 4784.0100 |

Most Popular. Availability for all products can be searched real-time: <http://www.schurter.com/en/Stock-Check/Stock-Check-SCHURTER>

Max. torque for screws: Terminals: 0.5 Nm, Cable clamps: 0.3 Nm, Cover: 0.3 Nm

Packaging unit 100 Pcs

Mating Inlets/Plugs

Category / Description

Appliance Inlet Overview complete



| | |
|--|------|
| IEC Appliance Inlet C16, Screw-on Mounting, Front Side, Screw-on Terminal | 0164 |
| IEC Appliance Inlet C14, Snap-in Mounting, Front Side, Solder or Quick-connect Terminal | 0711 |
| IEC Appliance Inlet C14, Snap-in Mounting, Solder, Quick-connect, Screw or PCB Terminal | 6010 |
| IEC Appliance Inlet C18, Snap-in Mounting, Solder, Quick-connect, Screw- or PCB Terminal | 6015 |
| IEC Appliance Inlet C14, Screw-on Mounting, Front or Rear Side, Solder or Quick-connect or Screw-on Terminal | 6048 |
| Appliance Inlet further types to 4784 | ... |

Distribution Unit Overview complete



| | |
|---|------|
| Distribution Unit for Snap-in Mounting with 1 IEC Appliance Inlet C14 and 1 Appliance Outlet F | 0712 |
| Distribution Unit with 1 IEC Appliance Inlet C14 or Power Cord, 5 or 6 IEC Appliance Outlets F and Extra Components | 4740 |
| Distribution Unit with 1 IEC Appliance Inlet C14 and 2 Appliance Outlets F, Shuttered | 4741 |
| Distribution Unit with 1 IEC Appliance Inlet C14 and 4 Appliance Outlets F | 4747 |
| Distribution Unit further types to 4784 | ... |

Plug Overview complete



| | |
|---|------|
| IEC Plug E, Cord Connector (Rewireable), Straight, max. cable Diameter 8.5 mm | 4732 |
| IEC Plug E, Cord Connector (Rewireable), Angled, max. Cable Diameter 8.5 mm | 4733 |
| IEC Plug E, Cord Connector (Rewireable), Straight, max. Cable Diameter 10 mm | 4735 |
| IEC Plug E, Cord Connector (Rewireable), Angled, max. Cable Diameter 10 mm | 4736 |
| IEC Plug E, Cord Connector (Rewireable), Straight | 9009 |
| Plug further types to 4784 | ... |

Power Entry Module Overview complete



| | |
|---|------|
| IEC Appliance Inlet C14 or C18 with Fuseholder 1- or 2-pole | 1062 |
| IEC Appliance Inlet C14 or C18 with Fuseholder 1- or 2-pole | 1064 |
| IEC Appliance Inlet C14 or C18 with Fuseholder 1- or 2-pole | 4707 |
| IEC Appliance Inlet C14 with Circuit Breaker TA35 2-pole | 6135 |
| IEC Appliance Inlet C14 with Circuit Breaker TA45 | 6145 |
| Power Entry Module further types to 4784 | ... |

Power Entry Module with line filter Overview complete



| | |
|--|--------|
| IEC Appliance Inlet C14 with Filter | 5110 |
| IEC Appliance Inlet C14 with Filter, Circuit Breaker TA45 | 5145 |
| IEC Appliance Inlet C14 with Filter, Fuseholder 1-pole | 5200 |
| IEC Appliance Inlet C14 with Filter, Fuseholder 1- or 2-pole | 5220 |
| IEC Appliance Inlet C14 with Filter, Fuseholder 2-pole | 8843-8 |
| Power Entry Module with line filter further types to 4784 | ... |