

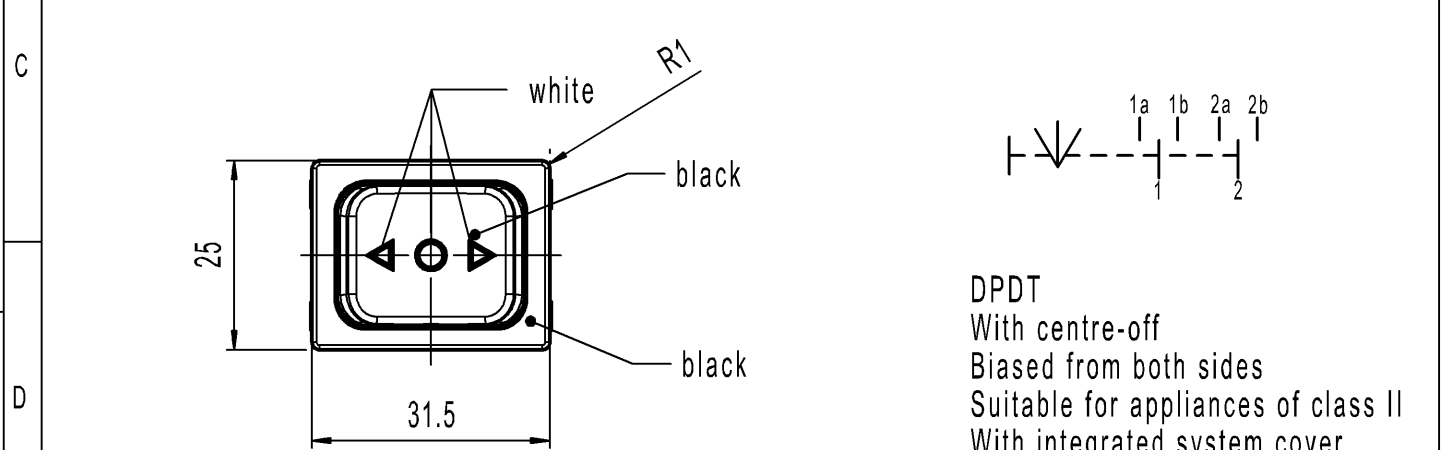
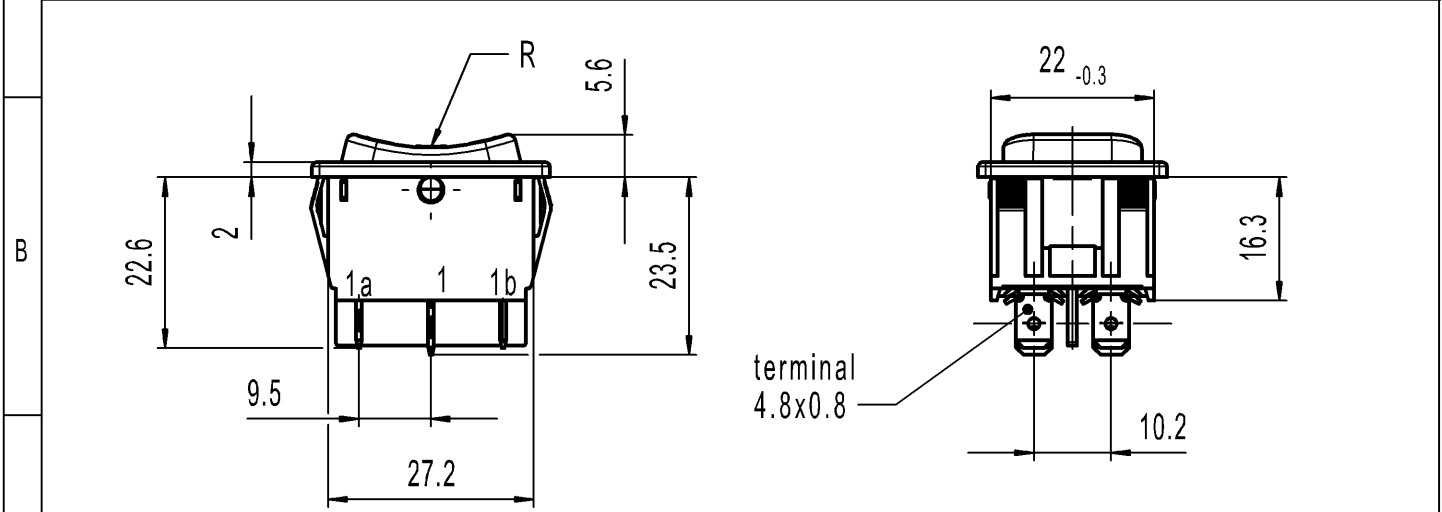
CONFIDENTIAL

VERTRAULICH

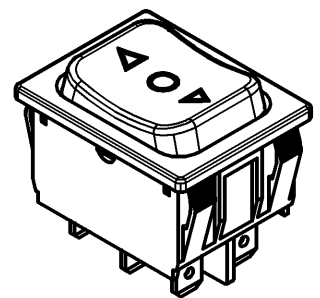
THIS DRAWING IS THE EXCLUSIVE PROPERTY OF MARQUARDT. WITHOUT THEIR CONSENT IT MAY NOT BE REPRODUCED OR GIVEN TO THIRD PARTIES.

Alle Rechte bei Marquardt, auch fuer den Fall von Schutzrechtsanmeldungen. Jede Verfuugungsbefugnis, wie Kopier- und Weitergaberecht, bei uns.

A	recommended cut-out for snap-in fixing (edge opposite to snap-in direction)	1	2	3	4
		wall thickness	length of cut-out	width of cut-out	
		0.75 to 1.25	30 -0.1	22+0.2	
		1.25 to 2	30.2 -0.1	22+0.2	
		2 to 3	30.6 -0.1	22+0.2	



DPDT  
With centre-off  
Biased from both sides  
Suitable for appliances of class II  
With integrated system cover



Marking

Ⓜ  
1839.  
6(4)/250~T105/55



6A 125-250V AC  
1/8 HP  
R58

Code of manufacture: place/year/week

-	-	-	1839.1411-XX
Figure	Type	Customer Part No.	Art.No.-PI
Shape and location	Angle $\pm 2^\circ$	Sheet 01	Ident. K
	Edge tolerance	Format DIN A4	Document number 18391411
	Length	Projection	Index b
	Radii	Scale 1:1	Appliance Switch
		All dimensions are in millimetres	
b	141196	System NX V1899	
a	64508	Replacement of	
	46010	Zg.gl.Nr.v.20.01.2006	
Index	MEC-No.		
	Date (YYYY-MM-DD)	Edited by	