

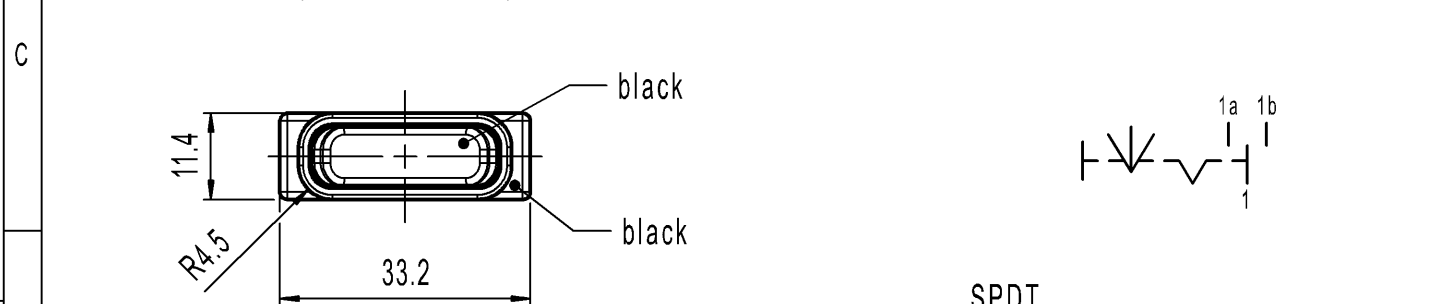
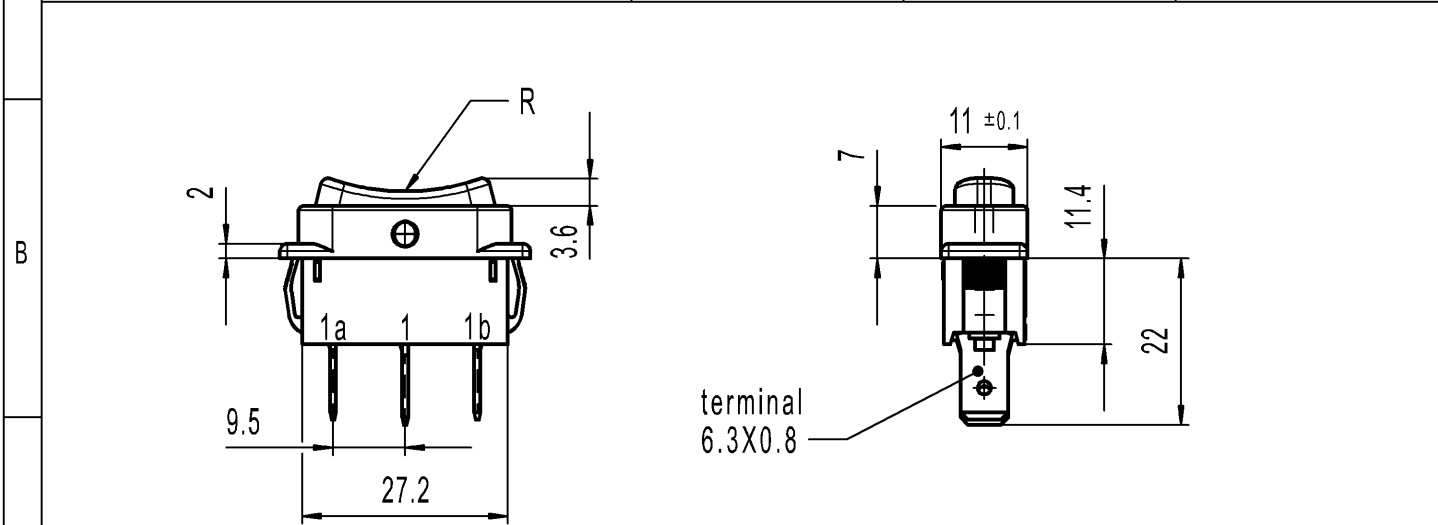
CONFIDENTIAL

VERTRAULICH

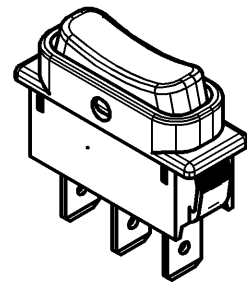
Alle Rechte bei Marquardt, auch fuer den Fall von Schutzrechtsanmeldungen. Jede Verfertigungsbefugnis, wie Kopier- und Weitergaberecht, bei uns.

THIS DRAWING IS THE EXCLUSIVE PROPERTY OF MARQUARDT. WITHOUT THEIR CONSENT IT MAY NOT BE REPRODUCED OR GIVEN TO THIRD PARTIES.

A	recommended cut-out for snap-in fixing (edge opposite to snap-in direction)	1	2	3	4
			wall thickness	length of cut-out	width of cut-out
			0.75 to 1.25	30 -0.1	11+0.1
			1.25 to 2	30.2 -0.1	11+0.1
		2 to 3	30.6 -0.1	11+0.1	



SPDT
With centre-off
Suitable for appliances of class II



Marking

Ⓜ
1838.
6(4)/250~T105/55



6A 125-250V AC
1/8 HP
R58

Code of manufacture: place/year/week

-	-	-	1838.8102-XX
Figure	Type	Customer Part No.	Art.No.-PI
Shape and location	Angle ± 2°	Sheet 01	Ident. K
	Edge tolerance	Format DIN A4	Document number 18388102
Ⓜ		Projection	Index c
		Scale 1:1	Appliance Switch
c	141194	All dimensions are in millimetres	
b	29986	System NX V1899	
a	29631		
Index	MEC-No.	Replacement of Zg.gl.Nr.v.27.10.1988	MARQUARDT
	Date (YYYY-MM-DD)	Edited by	