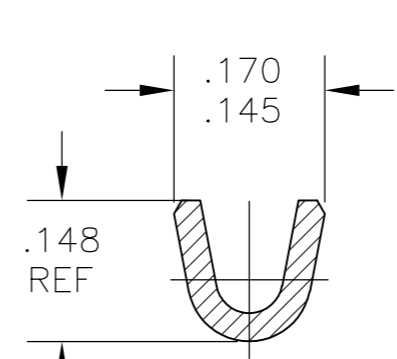
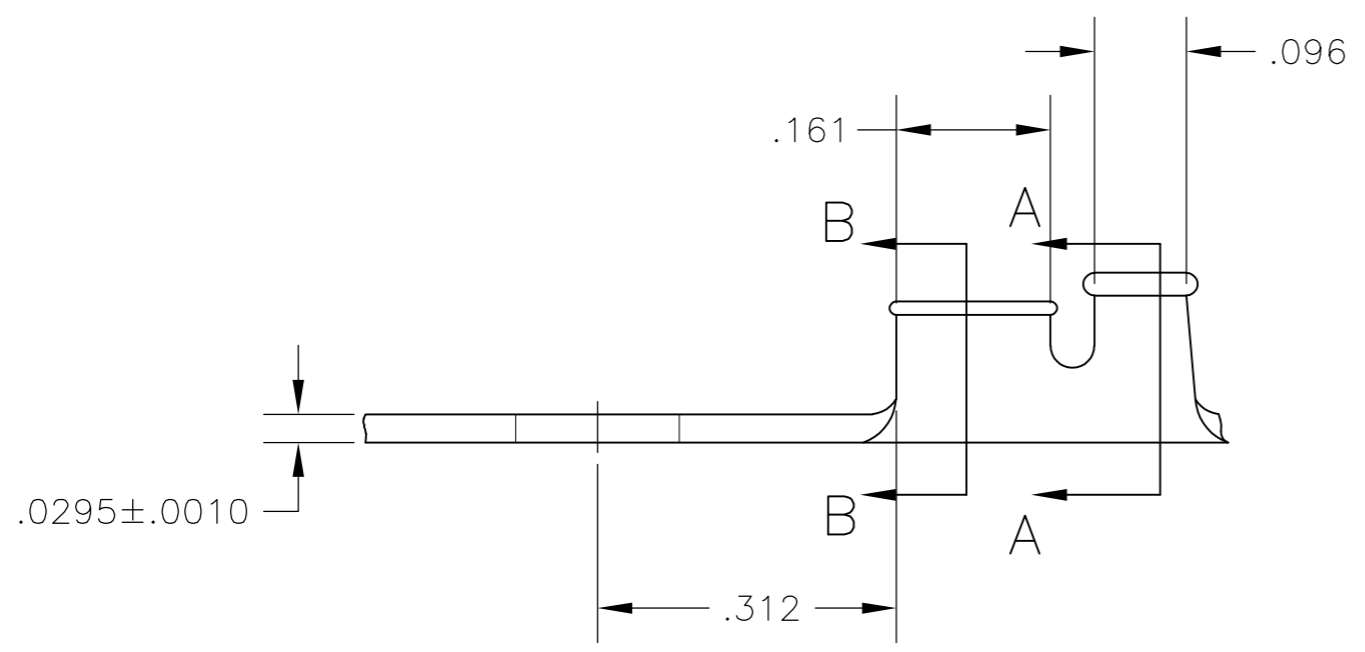
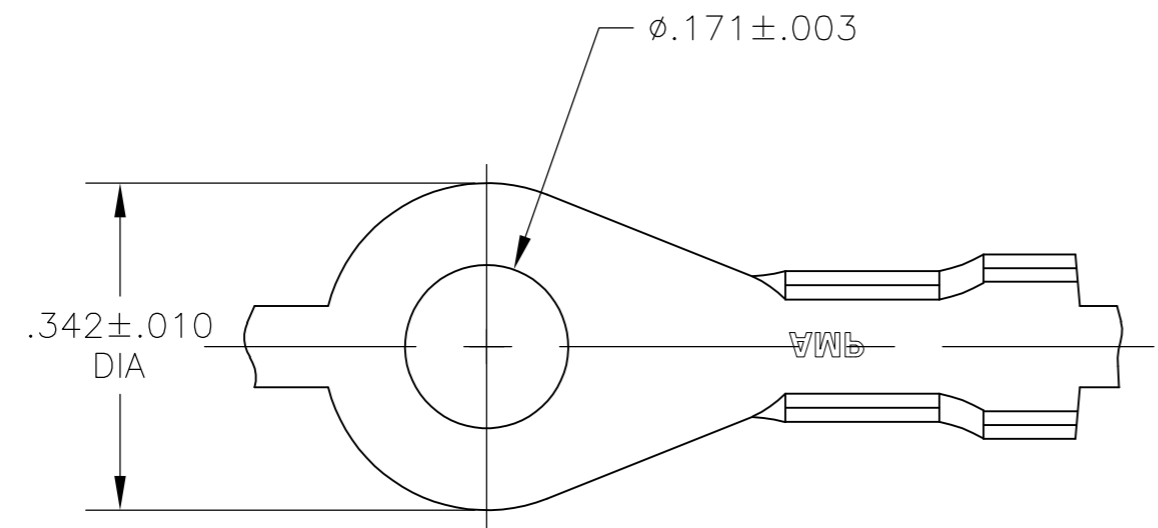


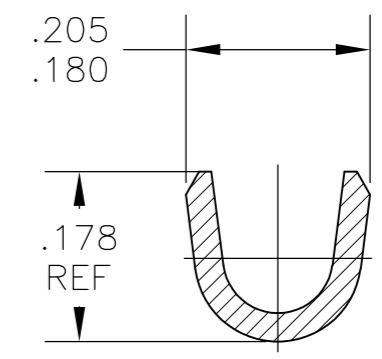
THIS DRAWING IS UNPUBLISHED. RELEASED FOR PUBLICATION
 © COPYRIGHT BY TYCO ELECTRONICS CORPORATION. ALL INTERNATIONAL RIGHTS RESERVED.

LOC	DIST	REVISIONS			
P	LTR	DESCRIPTION	DATE	DWN	APVD
AF	50	B	REVISED PER ECR-08-007819	19NOV08	HMR DD

- 1 CONTINUOUS STRIP ON REELS
- 2 WIRE SIZE IS #20-#16 AWG
- 3 INSULATION RANGE IS .100-.140 DIA



SECTION B-B



SECTION A-A

41456
PART NO

THIS DRAWING IS A CONTROLLED DOCUMENT.		DWN jr_ruth 10MAR06	Tyco Electronics Corporation Harrisburg, PA 17105-3608	
DIMENSIONS: INCHES 		CHK D DECKER 10MAR06		
TOLERANCES UNLESS OTHERWISE SPECIFIED: 0 PLC ± - 1 PLC ± - 2 PLC ± - 3 PLC ± .010 4 PLC ± - ANGLES ± 5'		APVD D DECKER 10MAR06	NAME	
MATERIAL T1 BRASS		FINISH TIN PLATING	PRODUCT SPEC	
		APPLICATION SPEC	TERMINAL, RING	
		WEIGHT	SIZE A3	CAGE CODE 00779
		CUSTOMER DRAWING	DRAWING NO C-41456	RESTRICTED TO
		SCALE 5:1	SHEET 1 OF 1	REV B