

Data sheet Product MK LP 18



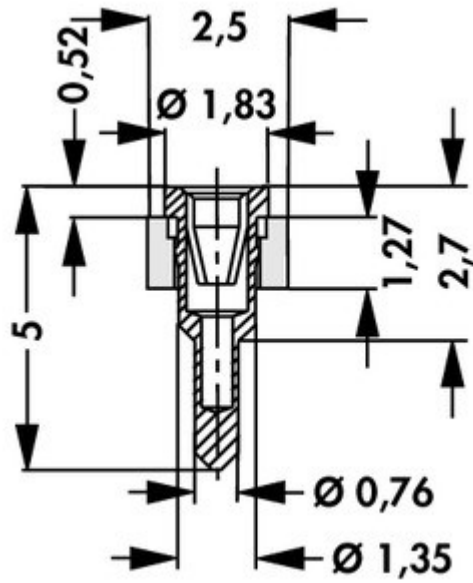
PCB connectors > Female headers

Low profile, less than 2.7/3.1 mm above P.C.B. - with contact spring for Ø 0.5 mm pins,
Solder and plug pin Ø 0.76 mm

Features

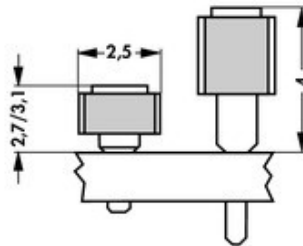
grid	2.54 mm
no. of contacts	10
contact material	CuZn-alloy
surface contact / contact sleeve	Ni+4...6µm Sn
surface of contact	gold-plated
contact spring	gold-plated
inner contact spring material	CuBe-alloy
inner contact spring surface	Ni+0,25µm Au
type internal spring	4-fingers
plugability for circuit points	<ul style="list-style-type: none"> • □0,22x0,25mm... □0,4x0,55mm • Ø0,4...0,56mm
insert depth	2.5...3.6mm
plug-in cross-section	Ø0,5mm
insertion / drawing force	1.8 N/1.4 N
shock resistance	50 g
volume resistance	≤10 mΩ
vibration resistance max.	15 g
capacity between two adjacent contacts	≤0,4 pF
nominal current	1.5 A
nominal voltage	60 V DC
test voltage	1000 V
insulating body material	PA 4.6. GF
temperature range	<ul style="list-style-type: none"> • -40°C... +163°C • (260°C/10 s)
class of flammability	UL 94 V-0
version	low profile
specific insulation resistance	>10.0 ^{7.0} Ω·m
connection type	soldering
reflow solderable	yes

Technical Drawing



Further Information

Low profile: 2.7/3.1 mm; standard profile: 4 mm



Fischer Elektronik GmbH & Co. KG
DEUTSCHLAND • GERMANY • ALLEMAGNE

Nottebohmstraße 28
58511 Lüdenscheid

Telefon +49 2351 435-0
Telefax +49 2351 45754

info@fischerelektronik.de
www.fischerelektronik.de