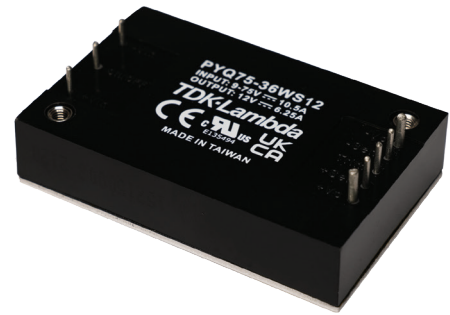


75W Single Output DC-DC converters, 1/4 Brick

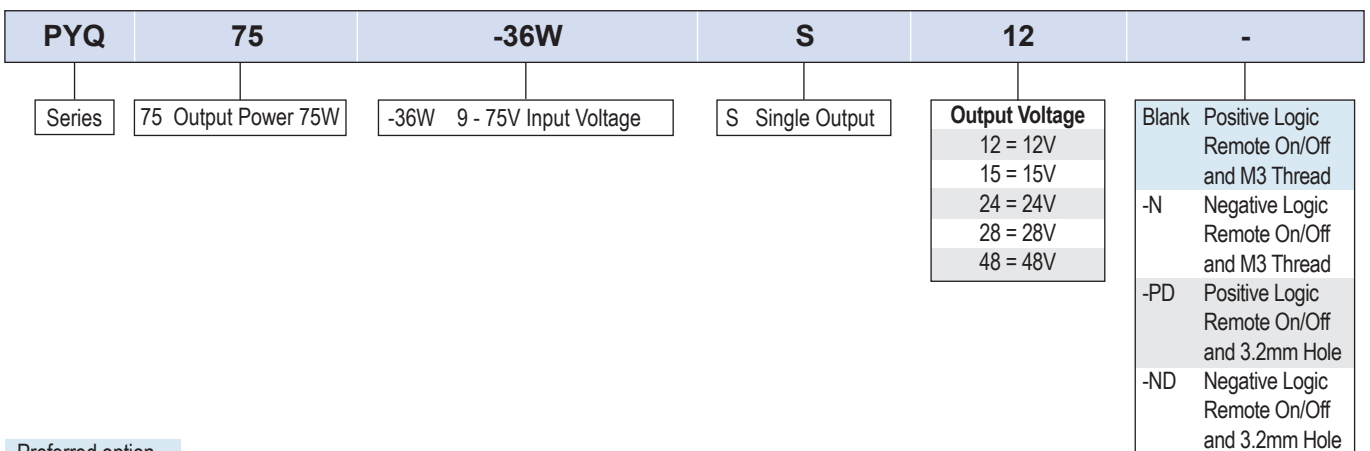
<https://product.tdk.com/en/power/py>
www.emea.lambda.tdk.com/py



The 75W Quarter-brick footprint PYQ series of isolated DC-DC converters operate from an ultra wide range input of 9 to 75Vdc (8:1) with single output voltages from 12V to 48V. The output voltage can be adjusted between -20% to +15% by using the trim terminal. Sense lines for the output voltage ensure a stable output voltage even with changing loads. The PYQ75 models have efficiencies of up to 90% and can operate in ambient temperature of -40 to 105°C. The input to output isolation is 3,000Vac and the units are potted to provide a high resistance to shock and vibration. The converters are certified according to the 62368-1 safety standards and with additional circuits, the PYQ75 series is also tested according to the EN 50155 railroad standard for electronic equipment in railroad vehicles.

Features	Benefits
• Quarter-Brick Footprint	• Industry Standard Package Size
• 9 - 75Vdc Wide Input Range (8:1)	• Supports the Majority of Railway DC Input Voltages
• Certified to IEC 62368-1, Tested According to EN 50155	• Easier System Compliance
• Potted Plastic Case	• High Resistance to Shock and Vibration
• 3000Vac Input to Output Isolation	• Suitable For Railway and Industrial Applications

Model Selector								
Model	Input Voltage (V)	Output Voltage (V)	Output Adjust (V)	Maximum Current (A)	Maximum Power (W)	No Load Input Current (mA)	Efficiency (%) at 36 / 48Vdc	Maximum Load Capacitance (uF)
PYQ75-36WS12	9 - 75	12	9.6 - 13.8	6.25	75	8	90 / 90	14000
PYQ75-36WS15	9 - 75	15	12 - 17.25	5	75	8	90 / 90	10000
PYQ75-36WS24	9 - 75	24	19.2 - 27.6	3.12	75	10	90 / 90	3900
PYQ75-36WS28	9 - 75	28	22.4 - 32.2	2.67	75	10	90 / 90	3200
PYQ75-36WS48	9 - 75	48	38.4 - 55.2	1.56	75	10	90 / 90	1100



Preferred option

Related Products

Type	Series	Description
Heatsink kit (User installation)	ACC-PYQB-HC01	HC1 heatsink, thermal pad, screws and washers
Heatsink kit (User installation)	ACC-PYQB-HC05	HC5 heatsink, thermal pad, screws and washers
DC-DC Converter	PYD20	20W, Input 8.5-160V, 2" x 1"
DC-DC Converter	PYQ50	30-50W, Input 14-160V, quarter brick
DC-DC Converter	PYH200	200W, Input 14-160V, half brick
DC-DC Converter	CN-B	200-300W, Input 60-160V, half brick

Specifications

Model		PYQ75
Input		
Input Voltage Range	Vdc	9-75 Derate output power linearly from 75W to 60W between 12V and 9V input voltage
Input Surge Voltage	Vdc	100 (100ms maximum)
Input Shutdown Voltage	Vdc	8 Typ.
Start-up Time (typ)	ms	30 Typ.
No Load Power Consumption	-	See model selector table. Typically 5mA when remote on/off is activated
Efficiency	-	See model selector table
Conducted & Radiated EMI	-	EN55032. See installation manual for external circuitry
Immunity	-	See immunity section
Railroad Applications	-	EN 50155, EN45545-2, EN 61373, EN 50121-3-2: See application note for railroad use
Safety Certification and Markings	-	IEC/UL/CSA/EN62368-1, CE Mark and UKCA Mark

Immunity

Test	Standard	Test Level	Criteria	Notes (See installation manuals for external circuitry)
ESD	EN61000-4-2	Air ± 8kV and Contact ± 6kV	A	-
Radiated Susceptibility	EN61000-4-3	20V/m	A	-
Electrical Fast Transient Burst	EN61000-4-4	± 2kV	A	With an input filter of two 220uF capacitors and a 78V suppressor diode (SMDJ78A)
Surge	EN61000-4-5	± 2kV	A	
Conducted Susceptibility	EN61000-4-6	10Vrms	A	-

Specifications

Model		PYQ75
Output		
Output Voltage Tolerance	%	±1
Output Voltage Adjustment	%	-20/+15
Switching Frequency	kHz	180-220
Line Regulation	%	±0.2
Load Regulation	%	±0.2
External Load Capacitance	-	See model selector table
Ripple & Noise(1)	mVp-p	150 (12V, 15V models), 240 (24V, 28V models), 480 (48V model)
Temperature Coefficient	%/°C	±0.02
Minimum Load	-	No minimum load required
Transient Loading	-	250us recovery time for a 25% load change
Overcurrent Protection (typ)	%	110-210 (hiccup mode)
Overvoltage Protection (typ)	%	117-140
Overtemperature Protection	°C	110, automatic recovery when temperature falls below 100
Remote Sense	%	+15
Remote On/Off	-	Positive Logic (Blank): ON: Open or 4-75V, OFF: Short or 0-1V Negative Logic (-N): ON: Short or 0-1V, OFF: Open or 4-75V

Specifications		
Model		PYQ75
Environmental		
Operating Temperature ⁽²⁾	°C	-40 to +105 (see derating section and confirm case temperatures in end system)
Maximum Case Temperature	°C	105
Storage Temperature	°C	-55 to +125
Humidity (non condensing)	%RH	95 (maximum, for operation & storage)
Cooling	-	Convection, conduction or forced air
Altitude	m	5,000 (operating)
Withstand Voltage (For 1 minute)	Vac	Input to output 3000Vac, input to case 2100Vac, output to case 1500Vac
Isolation Capacitance	pF	1000 (input to output)
Shock and Vibration (Operating)	-	MIL-STD-810F, EN61373
Thermal Shock	-	MIL-STD-810F
Other		
Weight (Typ)	g	66
Size (LxWxH)	mm	57.9 x 36.8 x 12.7
Size (LxWxH)	Inches	2.28 x 1.45 x 0.5
Case Material	-	Plastic
Base Plate Material	-	Aluminium
MTBF - MIL-HDBK-217F, Full Load, GB25	Hours	663,000 - 780,000 depending on model
Warranty	yrs	3

Notes

See website for detailed specifications, test methods and installation manual

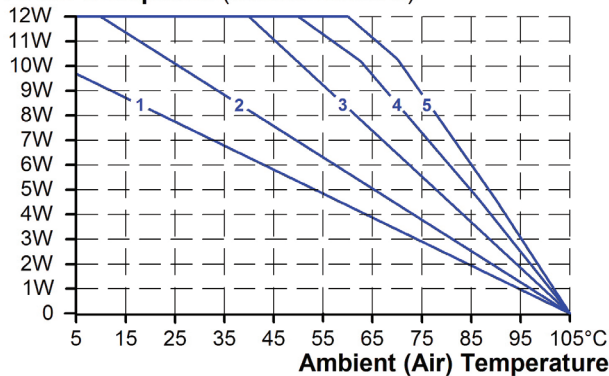
(1): Measured with a 22µF electrolytic/tantalum capacitor and a 1µF ceramic multi-layer capacitor parallel in measurement path.

(2): The case temperature must be confirmed in the end application. The product rating may be affected by airflow direction and physical obstructions near the module.

Derating Curve - Vertical Mount, Natural Convection

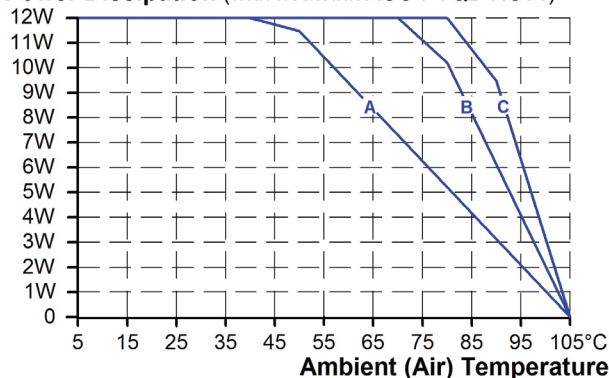
The possible temperature range depends on the power dissipation at the operating point of the DC-DC converter and the cooling method used. See installation manual for details.

Power Dissipation (without heatsink)



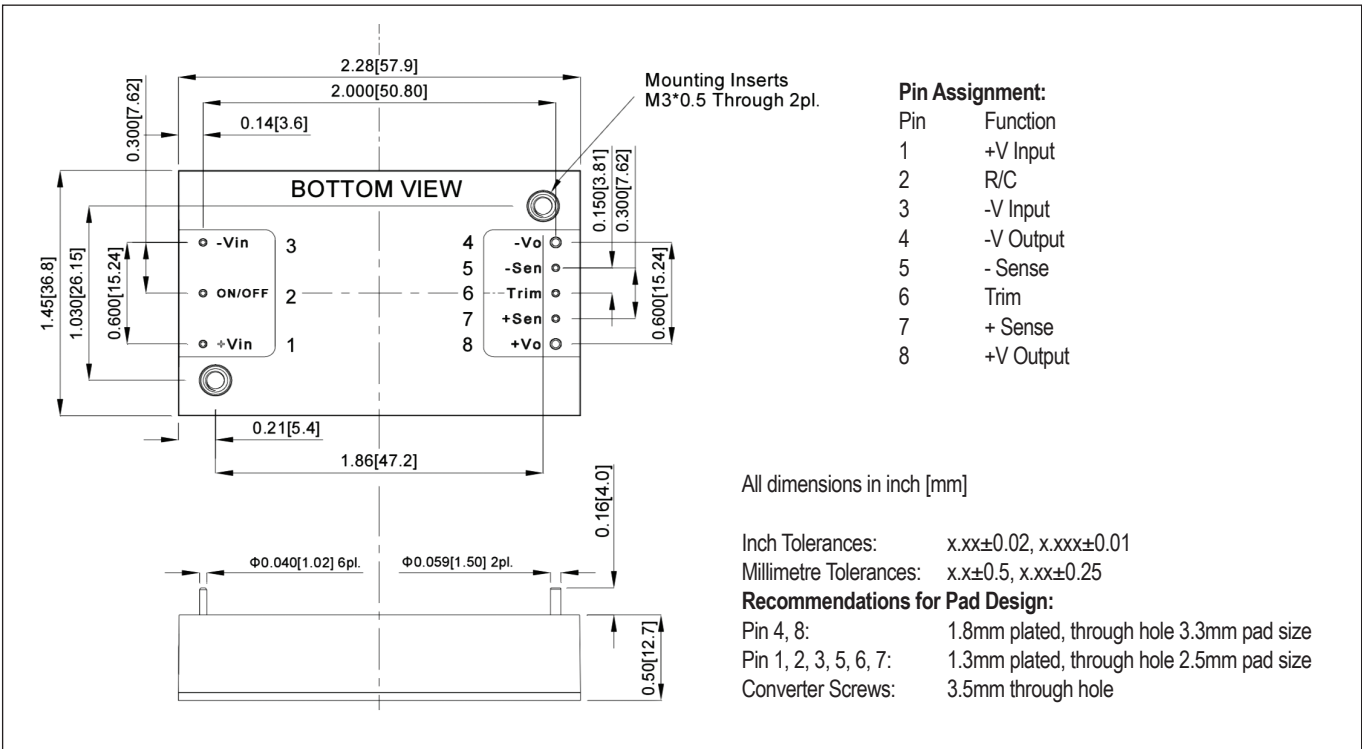
- 1. Natural convection 20LFM (0.1m/s, RTH 10.1°C/W)
- 2. Forced air 100LFM (0.5m/s, RTH 8.0°C/W)
- 3. Forced air 200LFM (1.0m/s, RTH 5.4°C/W)
- 4. Forced air 300LFM (1.5m/s, RTH 4.4°C/W)
- 5. Forced air 400LFM (2.0m/s, RTH 3.4°C/W)

Power Dissipation (with heatsink ACC-PYQB-HC01)

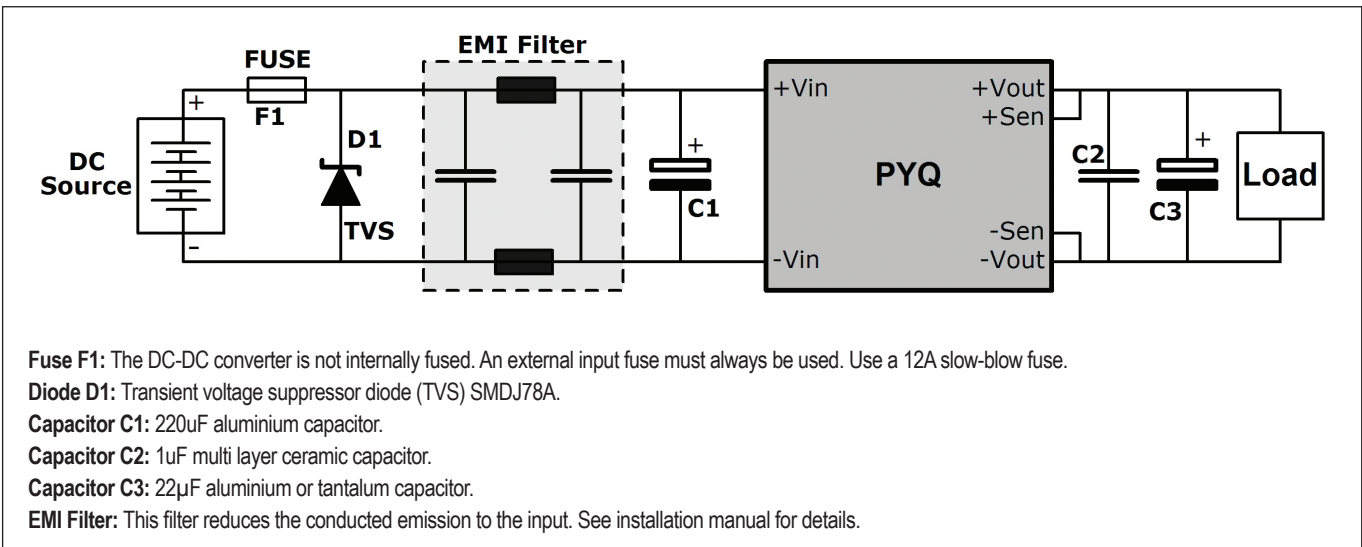


- A. Natural convection 20LFM (0.1m/s, RTH 4.78°C/W)
- B. Forced air 100LFM (0.5m/s, RTH 2.44°C/W)
- C. Forced air 400LFM (2.0m/s, RTH 1.58°C/W)

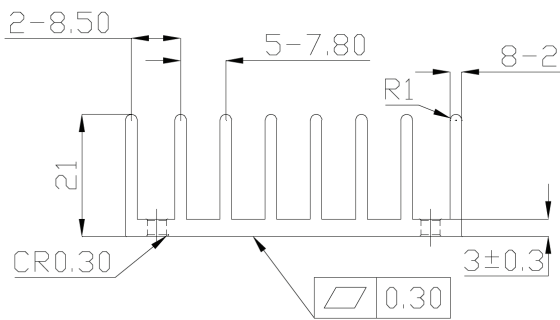
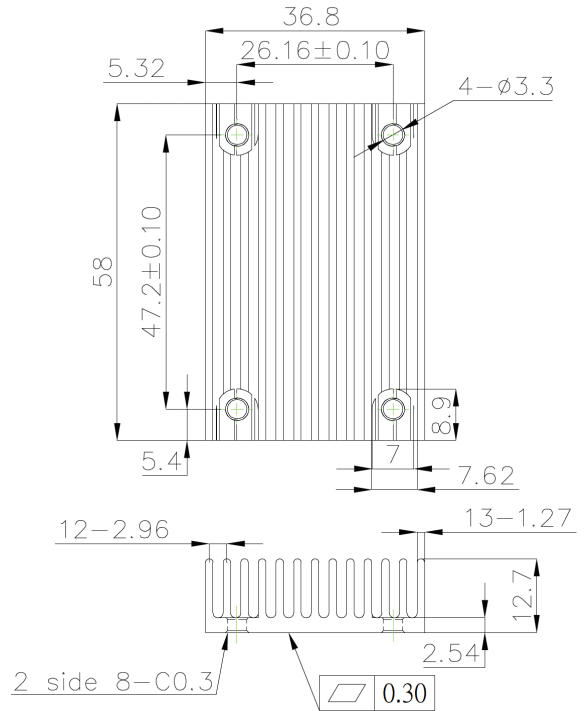
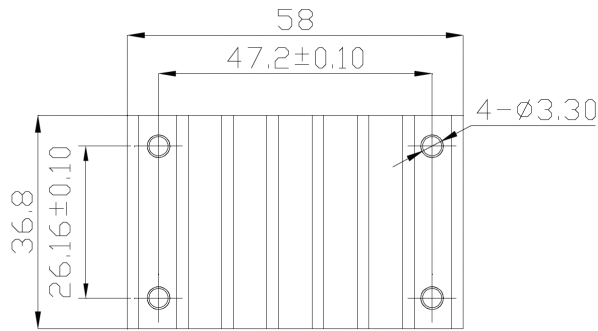
Outline Drawing and Pinout



Recommended Wiring Scheme



Heatsinks



Fin Style
Size (L x W x H)
Thermal Impedance

ACC-PYQB-HC01
Transverse

58 x 36.8 x 21mm
 4.78°C/W nat. convection
 2.44°C/W with 100LFM
 2.06°C/W with 200LFM
 1.76°C/W with 300LFM
 1.58°C/W with 400LFM

ACC-PYQB-HC05
Longitudinal

36.8 x 58 x 12.7mm
 5.61°C/W nat. convection
 4.01°C/W with 100LFM
 3.39°C/W with 200LFM
 2.86°C/W with 300LFM
 2.49°C/W with 400LFM



TDK-Lambda France SAS

Tel: +33 1 60 12 71 65
 ttf.fr.powersolutions@tdk.com
 www.emea.lambda.tdk.com/fr



Italy Sales Office

Tel: +39 02 61 29 38 63
 ttf.it.powersolutions@tdk.com
 www.emea.lambda.tdk.com/it



Netherlands

ttf.nl.powersolutions@tdk.com
 www.emea.lambda.tdk.com/nl



TDK-Lambda Germany GmbH

Tel: +49 7841 666 0
 tlg.powersolutions@tdk.com
 www.emea.lambda.tdk.com/de



Austria Sales Office

Tel: +43 2256 655 84
 tlg.at.powersolutions@tdk.com
 www.emea.lambda.tdk.com/at



Switzerland Sales Office

Tel: +41 44 850 53 53
 tlg.ch.powersolutions@tdk.com
 www.emea.lambda.tdk.com/ch



Nordic Sales Office

Tel: +45 8853 8086
 tlg.dk.powersolutions@tdk.com
 www.emea.lambda.tdk.com/dk



TDK-Lambda UK Ltd.

Tel: +44 (0) 12 71 85 66 66
 tlu.powersolutions@tdk.com
 www.emea.lambda.tdk.com/uk



TDK-Lambda Ltd.

Tel: +9 723 902 4333
 tti.powersolutions@tdk.com
 www.emea.lambda.tdk.com/il-en



TDK-Lambda Americas

Tel: +1 800-LAMBDA-4 or 1-800-526-2324
 tia.powersolutions@tdk.com
 www.us.lambda.tdk.com



TDK Electronics do Brasil Ltda

Tel: +55 11 3289-9599
 sales.br@tdk-electronics.tdk.com
 www.tdk-electronics.tdk.com/en



TDK-Lambda Corporation

Tel: +81-3-6778-1113
 www.jp.lambda.tdk.com



TDK-Lambda (China) Electronics Co. Ltd.

Tel: +86 21 6485-0777
 tlc.powersolutions@tdk.com
 www.lambda.tdk.com.cn



TDK-Lambda Singapore Pte Ltd.

Tel: +65 6251 7211
 tis.marketing@tdk.com
 www.sg.lambda.tdk.com



TDK India Private Limited, Power Supply Division

Tel: +91 80 4039-0660
 mathew.philip@tdk.com
 www.sg.lambda.tdk.com

