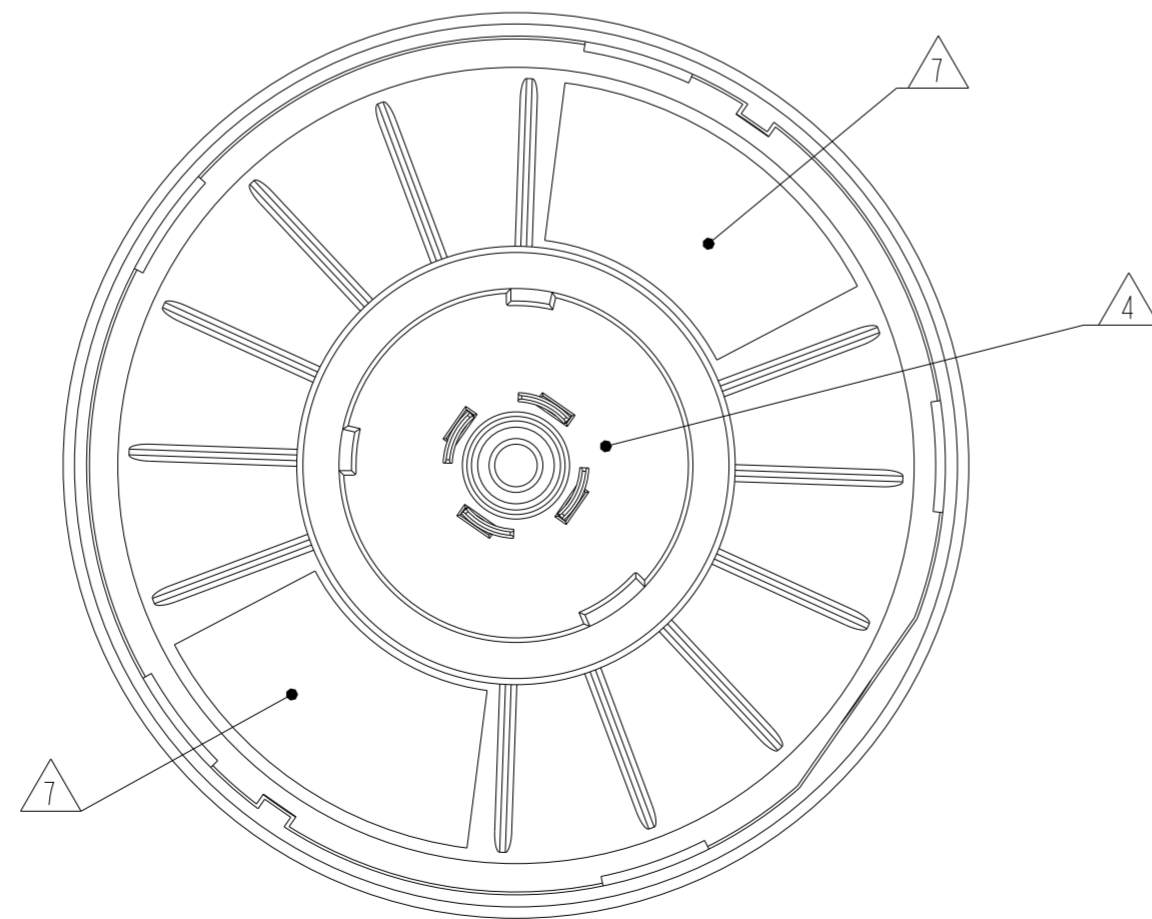
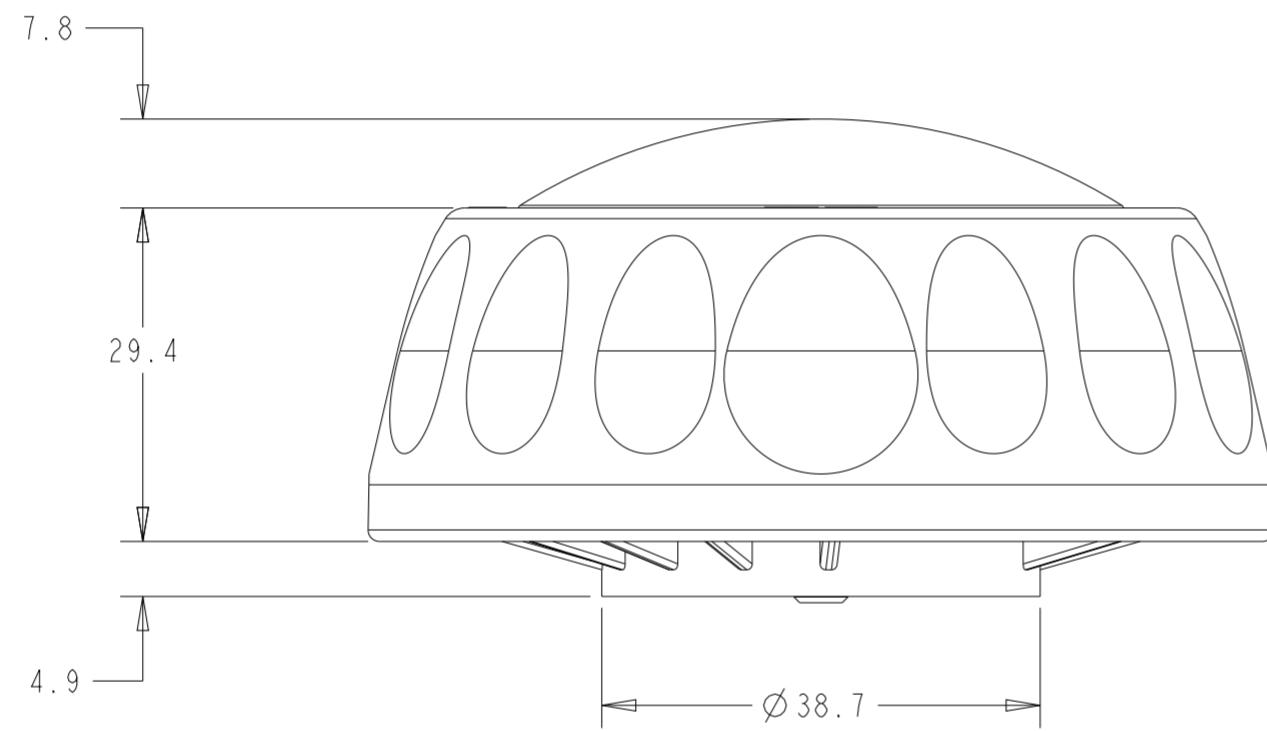
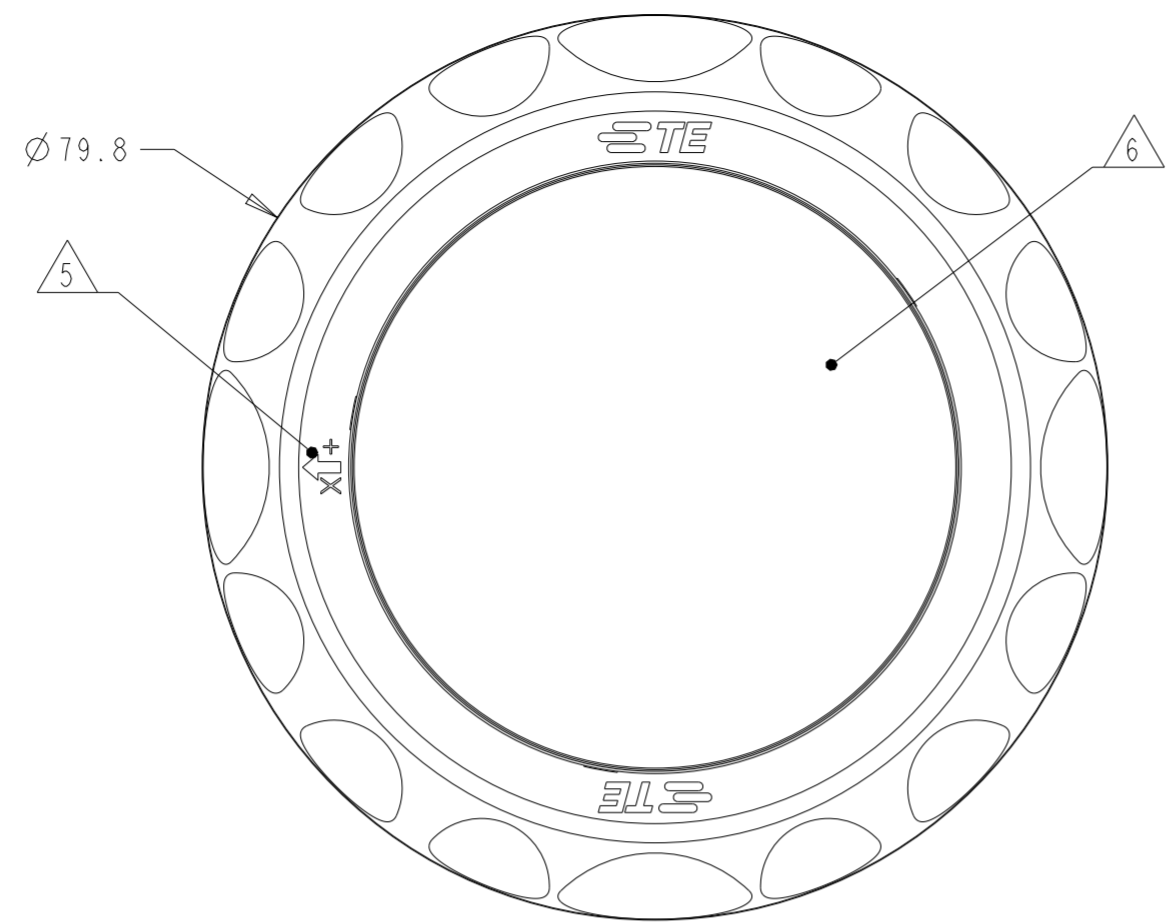
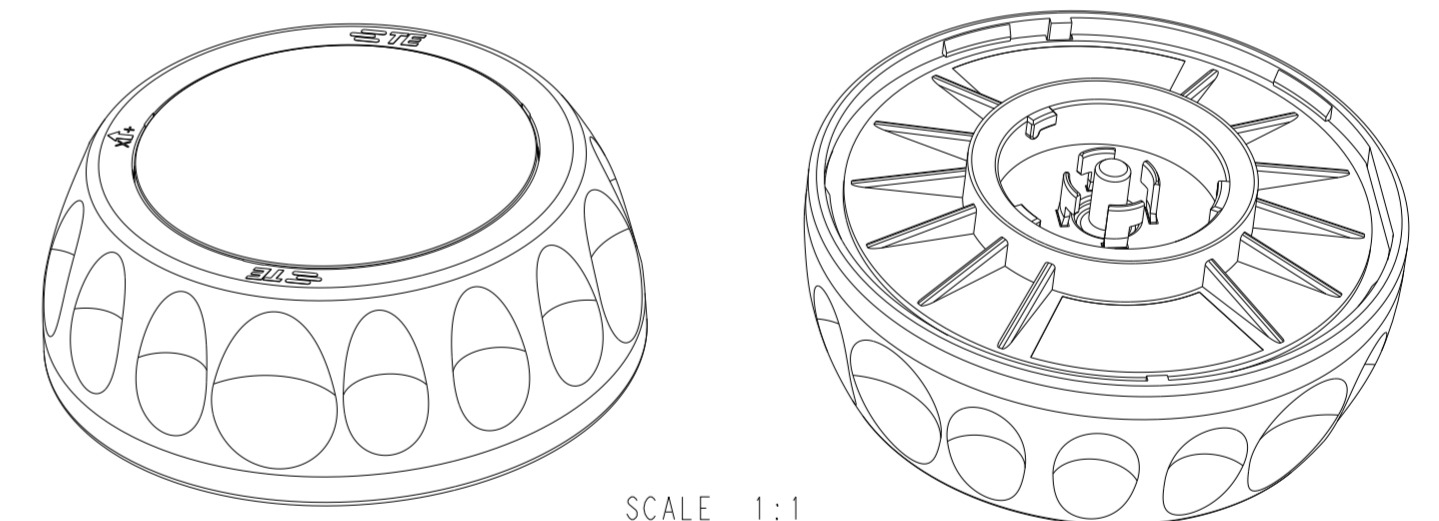


P	LTR	DESCRIPTION	DATE	DWN	APVD
3		ADDED -2 AND -3 TO TABLE	08SEPT2022	CD	CD



- 1 MATERIALS AND FINISH:
 -HOUSING: PC, COLOR: DARK GREY
 -LOCKING RING: PBT, COLOR: DARK GREY
 -MODULE BASE: PBT, COLOR: GREY
 -LENS: PE
 -GASKET: LSR
 -CONTACTS: BRASS, FINISH: Sn
 -PCBA: FR4
- 2. MUST COMPLY WITH DIRECTIVE 2002/95/EC (ROHS)
- 3. THIS PRODUCT HAS NOT COMPLETED VALIDATION TESTING
- 4 MATES WITH ZHAGA BOOK 18 RECEPTACLES, SEE TE LUMAWISE ENDURANCE S/S2; P/N: 2213858-X, 2363638-X
- 5 ZHAGA BOOK 18 X+ AXIS DIRECTION MARKING
- 6 DETECTION ZONE MASK AVAILABLE; TE P/N: 2396399-1
- 7 PRODUCT IDENTIFICATION LABELS



SCALE 1:1



**NEW PRODUCT
PRELIMINARY
IN DEVELOPMENT**

I:1 RATIO	2388426-3
CONVENTIONAL RATIO	2388426-2
INVERSE RATIO	2388426-1
TYPE	PART NO.

THIS DRAWING IS A CONTROLLED DOCUMENT.		DWN C DAILY 02FEB2022	STE TE Connectivity		
		CHK C DAILY 02FEB2022			
DIMENSIONS: mm	TOLERANCES UNLESS OTHERWISE SPECIFIED:	APVD -	NAME ASSEMBLY, SENSOR LUMAWISE MOTION	RESTRICTED TO	
	0 PLC ± 1 PLC ±0.2 2 PLC ±0.13 3 PLC ± 4 PLC ±	PRODUCT SPEC 108-160457	SIZE A2	CAGE CODE 00779	DRAWING NO. C-2388426
MATERIAL 1	ANGLES ±2° FINISH 1	APPLICATION SPEC 114-160247	WEIGHT -	SCALE 3:2	SHEET 1 OF 1
CUSTOMER DRAWING			REV 3		