

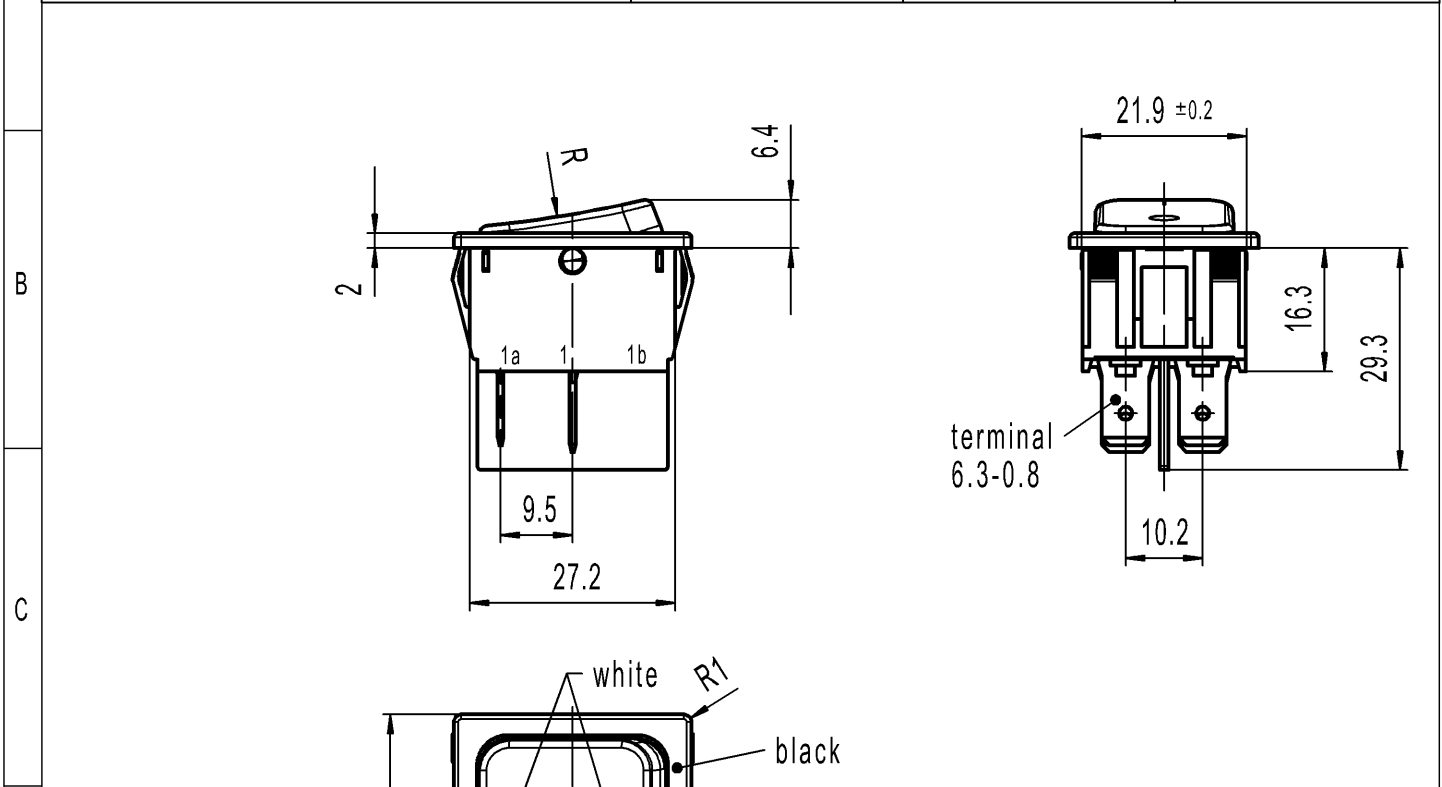
CONFIDENTIAL

VERTRAULICH


THIS DRAWING IS THE EXCLUSIVE PROPERTY OF MARQUARDT. WITHOUT THEIR CONSENT IT MAY NOT BE REPRODUCED OR GIVEN TO THIRD PARTIES.

Alle Rechte bei Marquardt, auch fuer den Fall von Schutzrechtsanmeldungen. Jede Veruegungsbefugnis, wie Kopier- und Weitergaberecht, bei uns.

A	1	2	3	4	
	recommended cut-out for snap-in fixing (edge opposite to snap-in direction)		wall thickness	length of cut-out	width of cut-out
			0.75 to 1.25 1.25 to 2 2 to 3	30.0 -0.1 30.2 -0.1 30.6 -0.1	22 +0.2 22 +0.2 22 +0.2



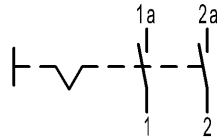
Marking:


 1832.
 10(8)/250~5E4
 20(4)/250~ T105/55
 5/120A 250V~

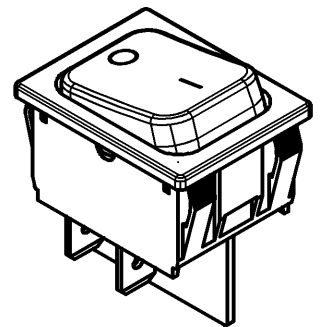


16A 125-250V AC
 1/3HP 125V AC
 1HP 250V AC

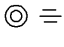

R11  



DPST
 Suitable for appliances of class II



Code of manufacture: place/year/week
 On box: Customer Part No. see variant table

-	-	0021235	1832.3312-XX
Figure	Type	Customer Part No.	Art.No.-PI
Shape and location	Angle $\pm 2^\circ$	Sheet 01	Ident. K
	Edge tolerance		Document number 18323312
	Length	Format DIN A4	Index i
	Radii		Appliance Switch
i	138977	All dimensions are in millimetres	
h	64507	System NX V1872	 MARQUARDT
g	39880		
f	34682	Replacement of	
Index	MEC-No.	Zg.gl.Nr.v.12.03.1996	