

RER 160-28/56S

AC centrifugal compact fan

single inlet



ebm-papst St. Georgen GmbH & Co. KG

Hermann-Papst-Str. 1
D-78112 St. Georgen
Phone +49 (0) 7724 81-0
Fax +49 (0) 7724 81-1309
info2@de.ebmpapst.com
www.ebmpapst.com

Nominal data

Type	RER 160-28/56S	
Phase		1~
Nominal voltage	VAC	230
Frequency	Hz	50
Speed	min ⁻¹	2800
Power input	W	45.0
Min. ambient temperature	°C	-30
Max. ambient temperature	°C	60
Air flow	m ³ /h	234
Sound power level	B	6.6

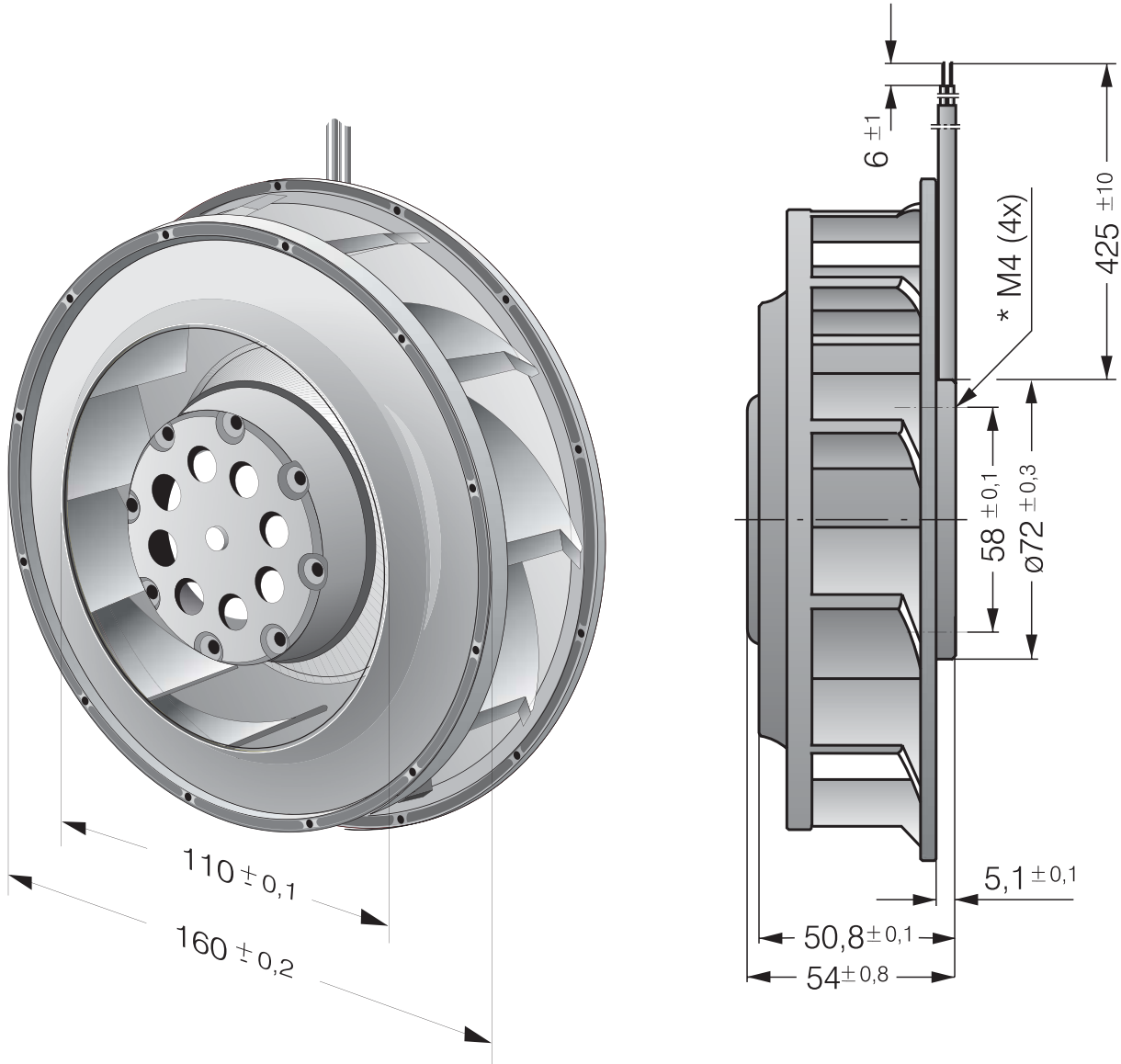
ml = Max. load · me = Max. efficiency · fa = Running at free air · cs = Customer specs · cu = Customer unit
Subject to alterations



Technical features

General description	Backward-curved impeller
Impeller material	Fibreglass-reinforced plastic (PA) reinforced with sheet steel
Mass	1.000 kg
Dimensions	176 Ø x 54 mm
Housing material	Fibreglass-reinforced plastic (PBT)
Direction of air flow	Centrifugal
Direction of rotation	Left, looking at rotor
Bearing	Ball bearings
Lifetime L10 at 40 °C	30000 h
Lifetime L10 at maximum temperature	20000 h
Connection line	Via 2 single wires AWG 18
Motor protection	Protected from overload by a thermal switch
Approval	VDE, CSA, UL, CE

Product drawing



Charts: Air flow

