

SMD LED LAMP
BL-LS3210A0E2
Features:

- 3.2mmx1.0mm SMD, 1.5mm THICKNESS
- Bi-color type
- Compatible with automatic placement equipment
- WIDE VIEWING ANGLE.
- IDEAL FOR BACKLIGHT AND INDICATOR.
- PACKAGE: 3KPCS/REEL
- RoHs Compliance


Electrical-optical characteristics: (Ta=25°C) (Test Condition: IF=20mA)

Part Number	Chip			Lens Type	Forward Voltage(VF) Unit:V		Luminous Intensity (Iv) Unit:mcd		Viewing Angle 2θ1/2 (deg)
	Emitted Color	Material	λp (nm)		Typ	Max	Min.	Typ.	
					BL-LS3210A0E2EGC	Red	GaAsP	640	
	Green	GaP	568	2.30	2.70	6	15		
BL-LS3210A0E2UYUG	Ultra Yellow	AllnGaP	593	2.10	2.60	20	60		
C	Ultra Green	AllnGaP	575	2.20	2.70	15	50		
BL-LS3210A0E2UEUG	Ultra Red	AllnGaP	645	2.10	2.60	20	60		
C	Ultra Green	AllnGaP	575	2.20	2.70	15	50		

Absolute maximum ratings (Ta=25°C)

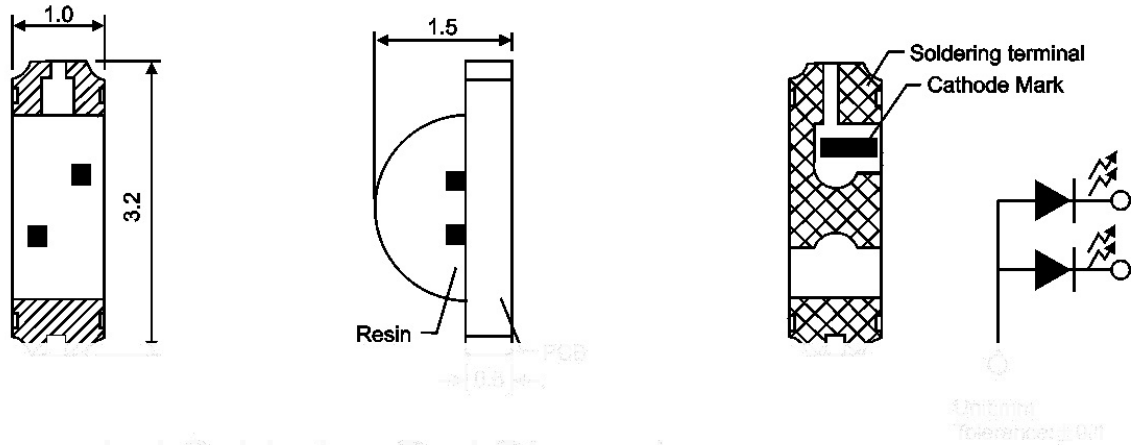
Parameter	Rating	Unit
Forward Current I _F	30	mA
Power Dissipation P _d	78	mW
Reverse Voltage V _R	5	V
Peak Forward Current I _{PF} (Duty 1/10 @1KHZ)	100	mA
Operation Temperature T _{OPR}	-30 to +80	°C
Storage Temperature T _{STG}	-40 to +85	°C
Lead Soldering Temperature T _{SOL}	Max.260±5°C for 3 sec Max. (1.6mm from the base of the epoxy bulb)	°C

SMD LED LAMP

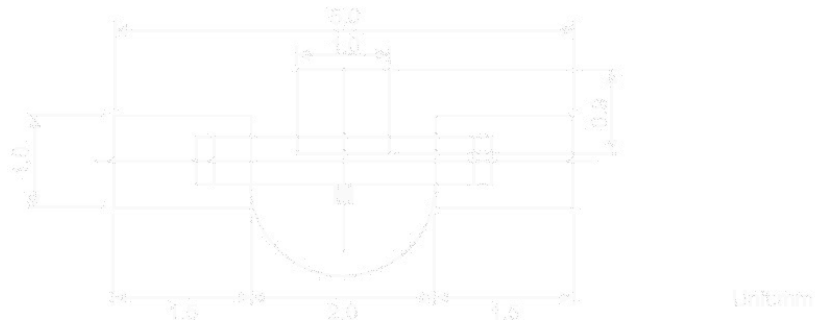
BL-LS3210A0E2

■ **Package configuration & Internal circuit diagram**

**BL-LS3210A0E2XX Series
Package Outline Drawing**



Recommended Soldering Pad Dimensions



Notes:

1. All dimensions are in millimeters (inches)
2. Tolerance is $\pm 0.25(0.01)$ unless otherwise noted.
3. Specifications are subject to change without notice.

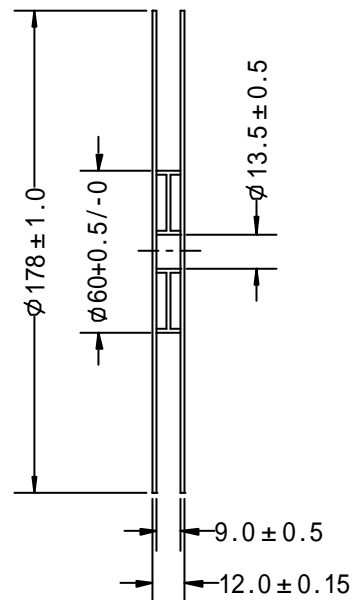
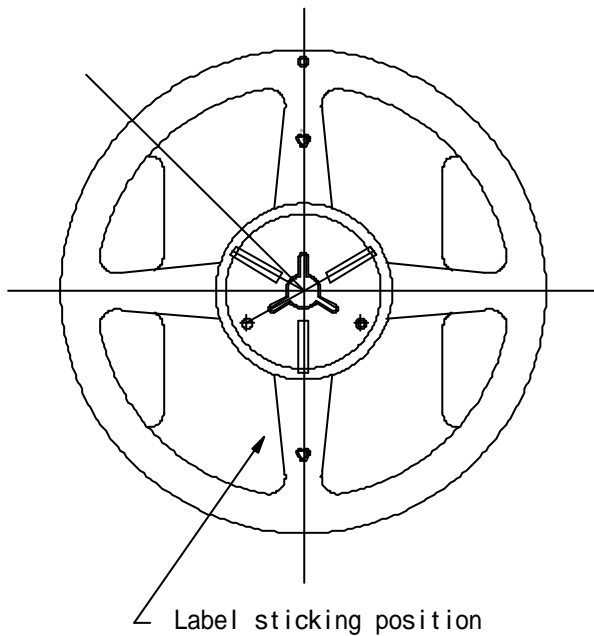
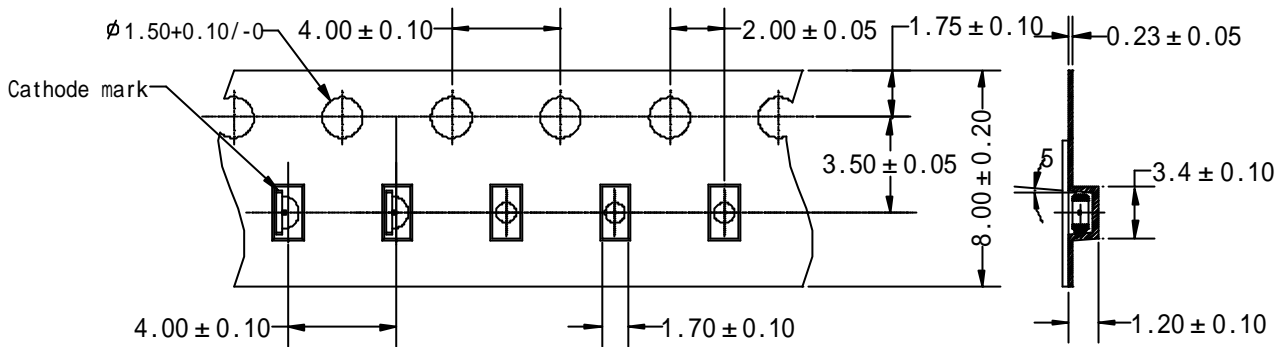
SMD LED LAMP

BL-LS3210A0E2

■ **Tape Specifications**

Unit : mm

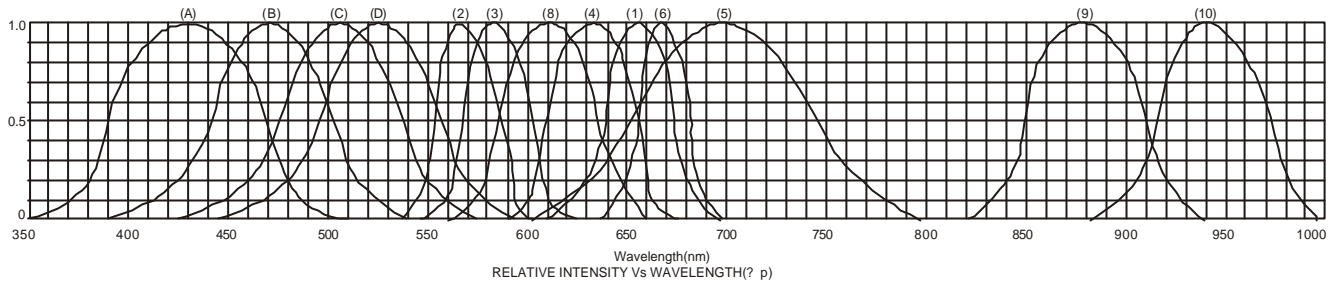
Tolerance : ± 0.1



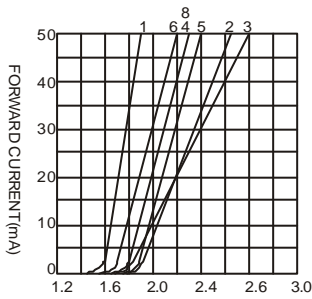
SMD LED LAMP

BL-LS3210A0E2

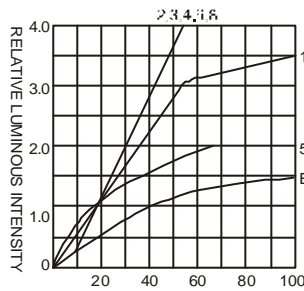
Typical electrical-optical characteristics curves:



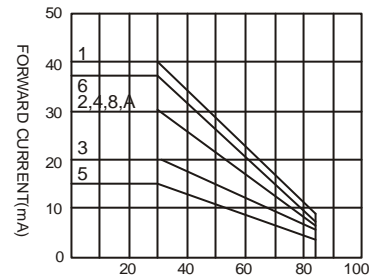
- (1) - GaAsP/GaAs 655nm/Red
- (2) - GaP 570nm/Yellow Green
- (3) - GaAsP/GaP 585nm/Yellow
- (4) - GaAsP/GaP 635nm/Orange & Hi-Eff Red
- (5) - GaP 700nm/Bright Red
- (6) - GaAlAs/GaAs 660nm/Super Red
- (8) - GaAsP/GaP 610nm/Super Red
- (9) - GaAlAs 880nm
- (10) - GaAs/GaAs & GaAlAs/GaAs 940nm
- (A) - GaN/SiC 430nm/Blue
- (B) - InGaN/SiC 470nm/Blue
- (C) - InGaN/SiC 505nm/Ultra Green
- (D) - InGaAl/SiC 525nm/Ultra Green



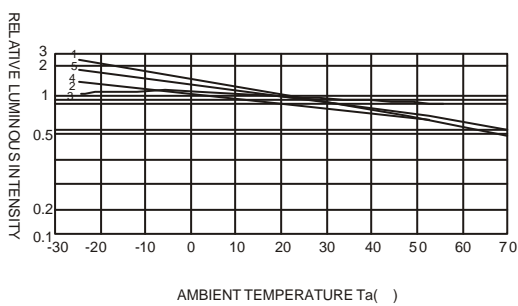
FORWARD VOLTAGE (Vf)
FORWARD CURRENT VS.
FORWARD VOLTAGE



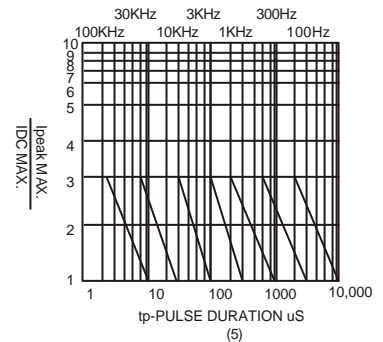
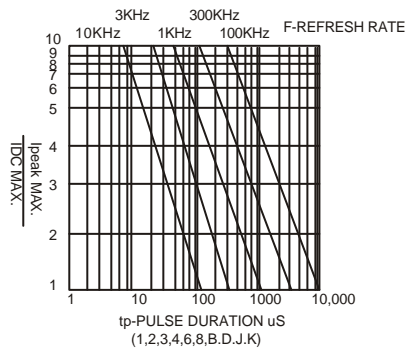
FORWARD CURRENT (mA)
RELATIVE LUMINOUS
INTENSITY VS. FORWARD
CURRENT



AMBIENT TEMPERATURE Ta ()
FORWARD CURRENT VS. AMBIENT
TEMPERATURE



AMBIENT TEMPERATURE Ta ()



NOTE:25 free air temperature unless otherwise specified

SMD LED LAMP

BL-LS3210A0E2

■ **Packing and weighting**

