

10W Medical DC-DC Converters

Features

- ◆ Industry Standard DIP-24 Package
- ◆ 9-36V or 18-75VDC Input
- ◆ 5kVAC Isolation (2xMOPPs)
- ◆ 2.5uA Leakage Current
- ◆ Low Off-Load Power Draw



Key Market Segments & Applications



Specifications		PXC-M10	PXC-M10W
Model		PXC-M10	PXC-M10W
Max Output Power	W		10W
Voltage Accuracy	%		±1%
Voltage Adjustment (T)	%	+/-10% (-10% +20% on 15V & 24V single output models) (see options table)	
Minimum Load	-		None
Line Regulation	%	Single Output: ±0.2%, Dual Output: ±0.5%	
Load Regulation	%	Single Output: ±0.2%, Dual Output: ±1%	
Cross Regulation	%	±5% (25-100% load)	
Ripple and Noise	-	See table	
Start up time	ms	30ms	
Remote on/off	-	See options table	
Temperature Coefficient	%/°C	<±0.02%/°C	
Operating Temperature (1)	°C	-40 to +105°C, derating necessary above 77°C	
Storage Temperature	°C	-55 to 125°C	
Thermal Shock	-	MIL-STD-810F	
Relative Humidity (non condensing)	%RH	5 to 95%RH	
Transient Response (25% step load change)	µs	< 250µs recovery	
Overvoltage Protection	V	Single Output: 3.3V: 3.7-5V, 5V: 5.6-7V, 12V: 13.5-16V, 15V: 18.3-22V, 24V: 29.1-34.5V Dual Output: 5V: 5.6-7V, 12V: 13.5-18.2V, 15V: 17-22V	
Overcurrent and Short Circuit Protection	%	Typically at 150%, hiccup with self recovery	
Input Surge Voltage (Maximum for 100ms)	V	5V input: 16V, 24V input: 50V, 48V input: 100V	
Isolation Voltage	V	5,000VAC	
Isolation Resistance	Ω	10 ⁹ Ω minimum	
Isolation Capacitance (max)	pF	17pF maximum	
Typical Switching Frequency (Fixed)	kHz	300kHz (±30kHz)	
MTBF (MIL-HDBK-217F)	Hours	3,849,000	
Vibration	-	MIL-STD-810F	
Conducted and Radiated Emissions	-	See Installation Diagrams	
Immunity	-	EN61000-4-2, -3, -4, -5, -6 Pref Criteria A	
Safety Agency Certifications	-	IEC/EN60601-1, ES60601-1, CE Mark	
Size (L x W x H)	mm(″)	31.8 x 20.3 x 10.2mm (1.25 x 0.8 x 0.4″)	
Weight	g	14g	
Warranty	yrs	Five Years	

Notes:

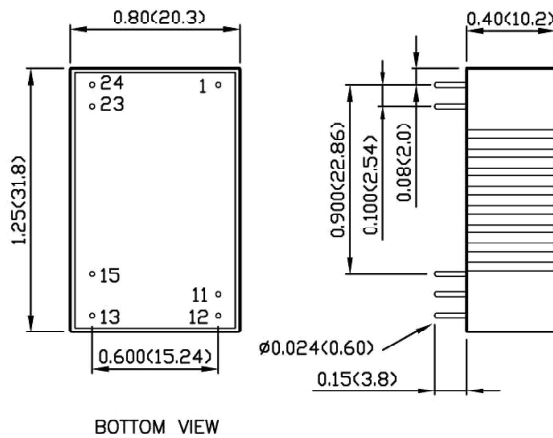
See installation manual for full specifications and test measurements.

(1) Convection cooling. See installation manual for forced air ratings.

Model Selector

Model	Output Voltage (V)	Output Current (A)	Output Power (W)	Input Voltage (V)	Input Current No Load (mA)	Efficiency (%)	Ripple & Noise (Pk-Pk mV)	Max Load Capacitance (uF)
Single Outputs								
PXC-M10-24WS3P3-A	3.3	2.5	8.3	9 - 36	6	83.0	30	3000
PXC-M10-48WS3P3-A	3.3	2.5	8.3	18 - 75	4	82.5	30	3000
PXC-M10-24WS05-A	5	2	10.0	9 - 36	6	86.5	30	2500
PXC-M10-48WS05-A	5	2	10.0	18 - 75	4	86.5	30	2500
PXC-M10-24WS12-A	12	0.83	10.0	9 - 36	6	89.0	40	430
PXC-M10-48WS12-A	12	0.83	10.0	18 - 75	4	89.0	40	430
PXC-M10-24WS15-A	15	0.67	10.1	9 - 36	6	89.0	40	350
PXC-M10-48WS15-A	15	0.67	10.1	18 - 75	4	89.0	40	350
PXC-M10-24WS24-A	24	0.416	10.0	9 - 36	6	89.0	50	125
PXC-M10-48WS24-A	24	0.416	10.0	18 - 75	4	88.5	50	125
Dual Outputs								
PXC-M10-24WD05-A	±5	±1	10.0	9 - 36	6	85.0	30	±1440
PXC-M10-48WD05-A	±5	±1	10.0	18 - 75	4	85.0	30	±1440
PXC-M10-24WD12-A	±12	±0.416	10.0	9 - 36	6	89.0	40	±250
PXC-M10-48WD12-A	±12	±0.416	10.0	18 - 75	4	88.0	40	±250
PXC-M10-24WD15-A	±15	±0.333	10.0	9 - 36	6	88.0	40	±180
PXC-M10-48WD15-A	±15	±0.333	10.0	18 - 75	4	88.0	40	±180

Outline Drawing, Pinout Style A



Options

-A	Pinout style A (Standard Version)
No suffix	Pinout style B (No remote on/off & no trim pin)
-P	Pinout style B (Positive remote on/off & no trim pin)
-T	Pinout style B (Trim pin & no remote on/off)
-PT	Pinout style B (Positive remote on/off & trim pin)

Other DC-DC Products

PX	10 - 60W, 12V, 24V, 48V input DC-DC
CC-E	1.5 - 25W, 5V, 12V, 24V & 48V input DC-DC
i6A	14A, 9-40V input POL
iA, iB, iC, iJ	3 - 60A, 5V & 12V input POL

For Additional Information, please visit
us.tdk-lambda.com/lp/products/pxc-m-series.htm



Pinout (Style A)

PIN #	Single Output	Dual Output
1	+ Input	+ Input
11	No pin	Common
12	- Output	No pin
13	+ Output	- Output
15	No pin	+ Output
23	- Input	- Input
24	- Input	- Input

(See website for Pinout Style B)