

## 2JB03H

### Wall Mount Bracket

#### Key Features

Wall mount metal bracket for  
2J47xx, 2J66xx, 2J67xx, 2J75xx  
and 2J6Axx

Stainless steel

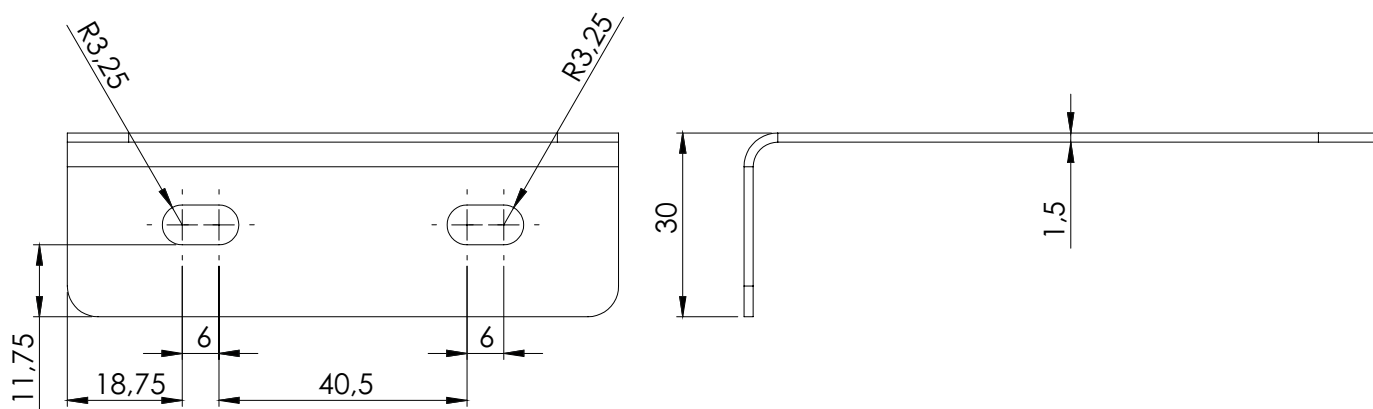
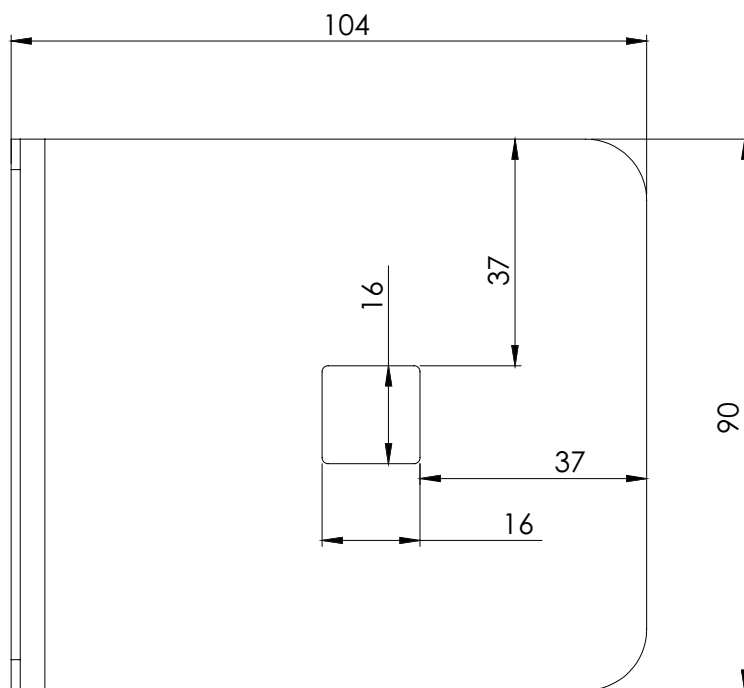
Strong robust solution

Suitable for outdoor usage

For anti-rotation antenna mounting



## 2. Bracket drawings



### 3. Bracket Images

