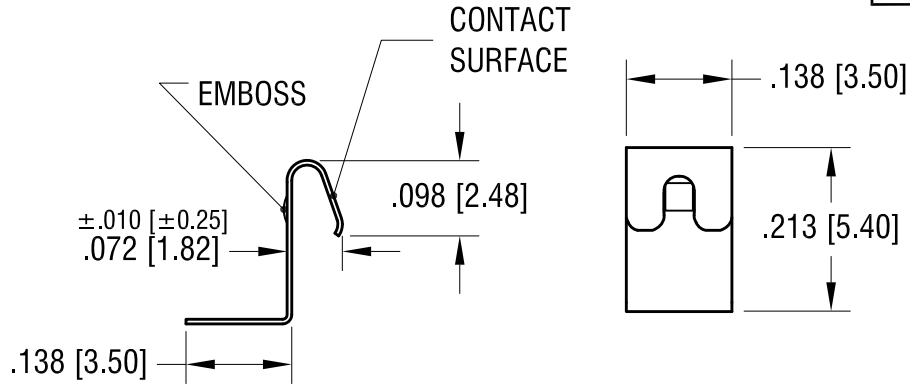
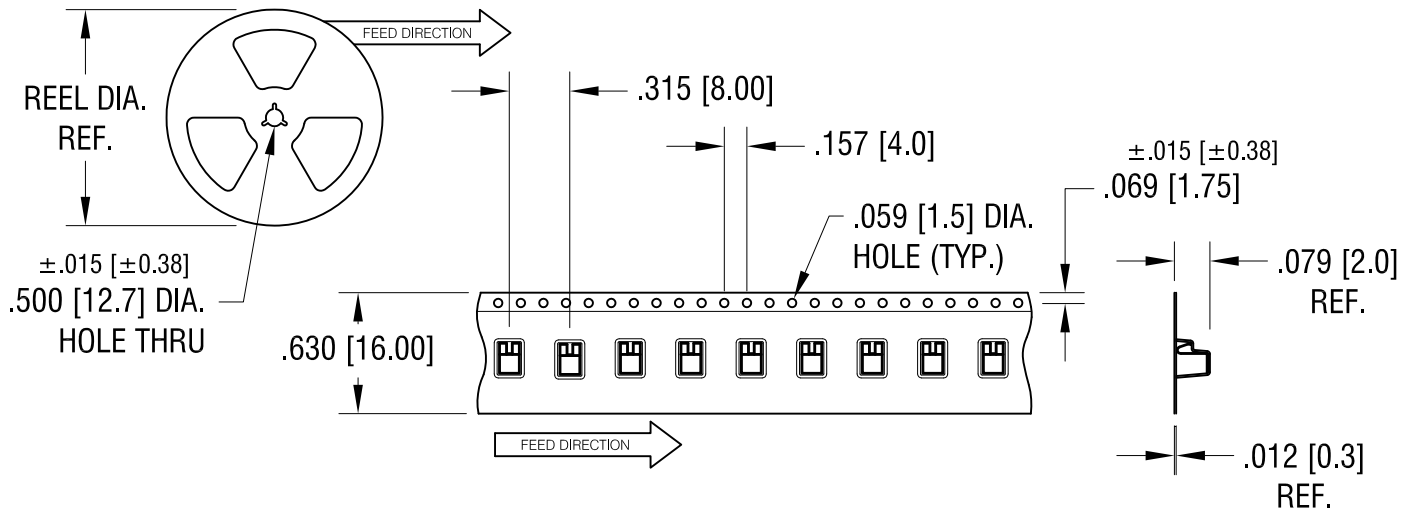


THIS DOCUMENT IS THE PROPERTY OF KEYSTONE ELECTRONICS CORP. AND SHALL NOT BE REPRODUCED, DISTRIBUTED OR USED AS A BASIS FOR MANUFACTURE WITHOUT PRIOR WRITTEN PERMISSION FROM KEYSTONE ELECTRONICS CORP.



P/N 122

TOLERANCE ±.005 [±0.13]



NOTES:

1. SUPPLIED ON TAPE AND REEL ONLY.

TAPE AND REEL SPECIFICATIONS:

2. TAPE:

MAT'L - ALL CONDUCTIVE POLYSTYRENE CARRIER
ANSI/EIA-481 STANDARD

3. REEL:

13.0 [330.0] DIA. 1000 PIECES OF
P/N 122 PER REEL

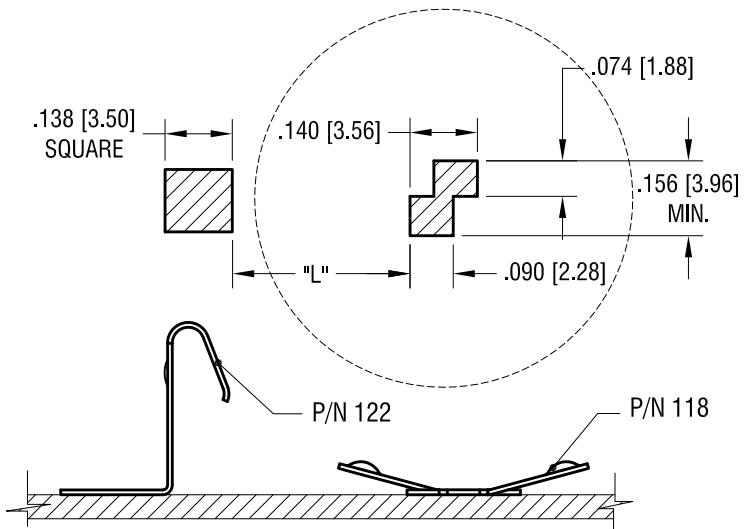
CONTRACT SPECIFICATIONS:

1. MAT'L- .006 [0.15] TH'K STAINLESS STEEL
2. FINISH: GOLD PLATE

12.12.16	CHANGE AS PER ECN 16-101	A
DATE	DESCRIPTION	REV.

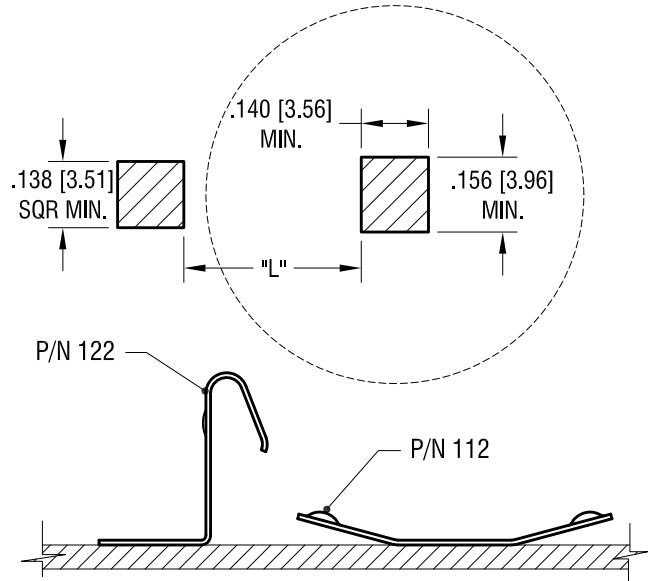
KEYSTONE ELECTRONICS CORP.			
www.keyelco.com • ASTORIA, N.Y. 11105-2017 • Tel (718) 956-8900			
PART NAME POSITIVE CONTACT ON TAPE & REEL			
MATERIAL AS NOTED			
FINISH AS NOTED		DRN BY NT	DATE 1.06.16
		APP'D LN	SCALE N/A
TOLERANCES INCH [MM]	CODE	DWG NO.	
DECIMAL ±.010 [±0.25]	C	122TR	
ANGULAR ± 1° UNLESS OTHERWISE SPECIFIED			

THIS DOCUMENT IS THE PROPERTY OF KEYSTONE ELECTRONICS CORP. AND SHALL NOT BE REPRODUCED, DISTRIBUTED OR USED AS A BASIS FOR MANUFACTURE WITHOUT PRIOR WRITTEN PERMISSION FROM KEYSTONE ELECTRONICS CORP.



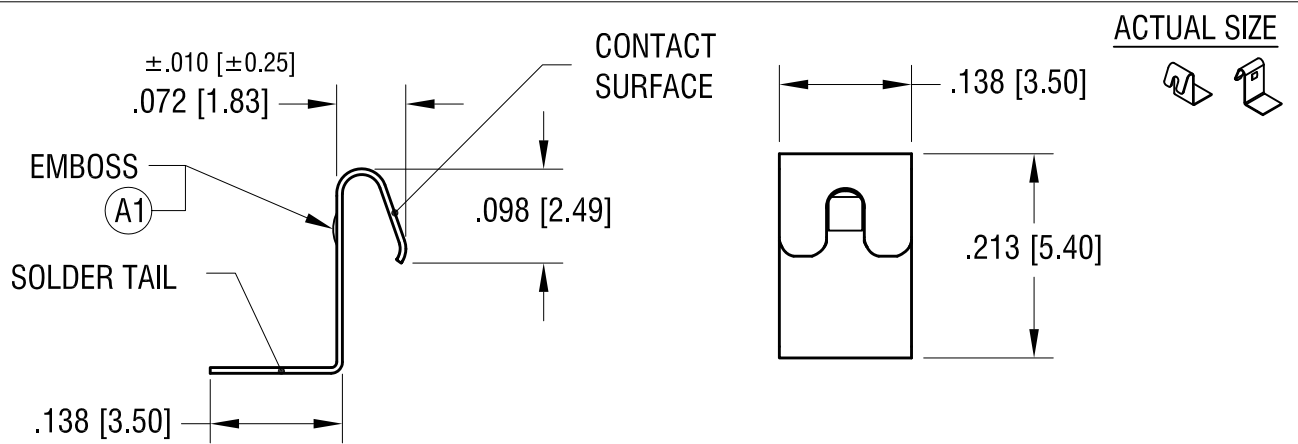
MTG LAY OUT WHEN USE WITH P/N 118

BATTERY DIA.	L
12mm	.213 [5.4]
16mm	.291 [7.4]



MTG LAY OUT WHEN USE WITH P/N 112

BATTERY DIA.	L
20mm	.370 [9.4]
23mm	.429 [10.9]
24mm	.448 [11.4]
30mm	.567 [14.4]



11.10.16	ECN 16-095, ADD EMBOSS (A1)	A
DATE	DESCRIPTION	REV.

KEYSTONE ELECTRONICS CORP.		
www.keyelco.com • ASTORIA, N.Y. 11105-2017 • Tel (718) 956-8900		
PART NAME		
POSITIVE BATTERY CONTACT		
MATERIAL		
.006 [0.15] TH'K STAINLESS STEEL		
FINISH		DRN BY
GOLD PLATE		NT
		DATE
		1.06.16
		APP'D
		LN
		SCALE
		5X
TOLERANCES	INCH [MM]	CODE
DECIMAL	± .005 [± 0.13]	DWG NO.
ANGULAR	± 1°	
UNLESS OTHERWISE SPECIFIED		
		122