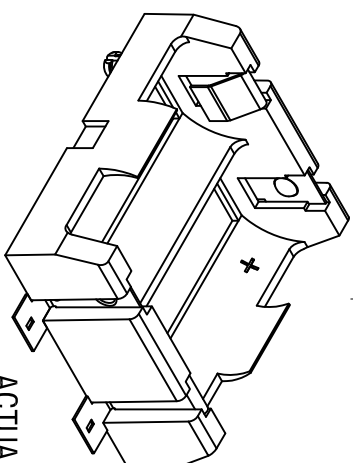
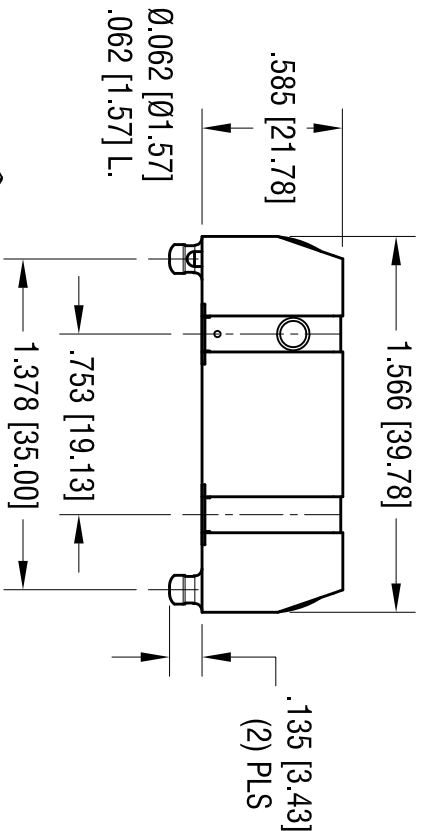
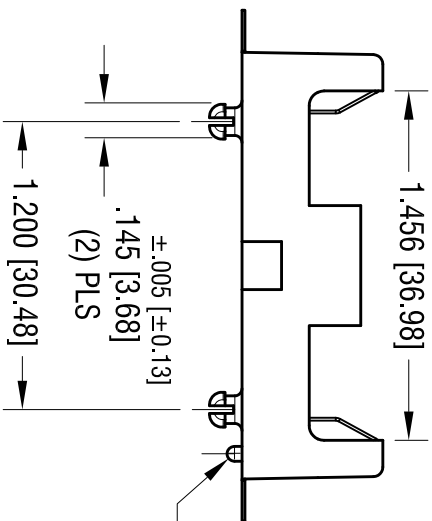
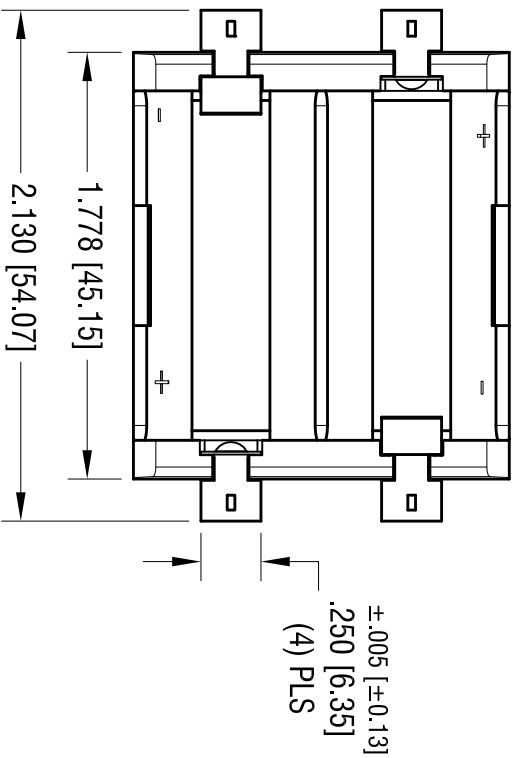
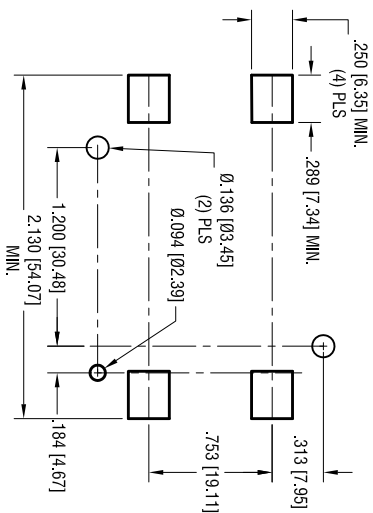


**MOUNTING PAD LAYOUT**



**ACTUAL SIZE**

**NOTE:**

**1. BASE:**

MAT'L: HEAT RESISTANCE NYLON

STANYL 46 OR EQUIVALENT

**2. CONTACT:**

MAT'L: .012 [0.30] THK STAINLESS STEEL

FINISH: GOLD FLASH, OVER NICKEL PLATE

DATE

9.24.14

DESCRIPTION

CHANGE AS PER ECN 14-104

REV.

A

**KEYSTONE ELECTRONICS CORP.**

www.keystec.com • ASTORIA, N.Y. 11105-2017 • Tel (718) 956-8900

PART NAME

DUAL SM BATTERY HOLDER

MATERIAL

AS NOTED

FINISH

AS NOTED

TOLERANCES	INCH	[MM]	CODE	DRN BY	DATE
DECIMAL	± .010	[± 0.25]	C	NT	7.28.14
ANGULAR	± 1°			LN	SCALE 1.25X
UNLESS OTHERWISE SPECIFIED					

**1098P**

THIS DOCUMENT IS THE PROPERTY OF KEYSTONE ELECTRONICS CORP. AND SHALL NOT BE REPRODUCED, DISTRIBUTED OR USED AS A BASIS FOR MANUFACTURE WITHOUT PRIOR WRITTEN PERMISSION FROM KEYSTONE ELECTRONICS CORP.