

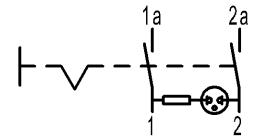
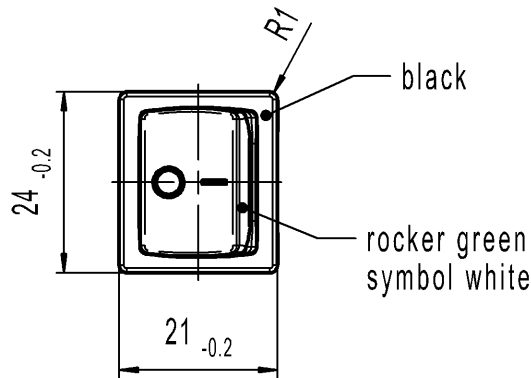
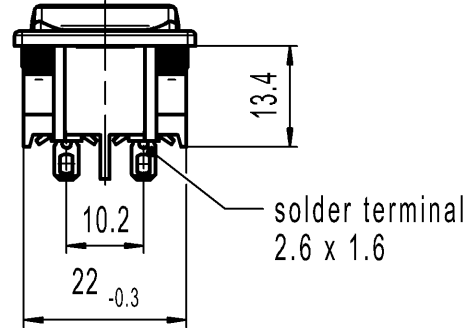
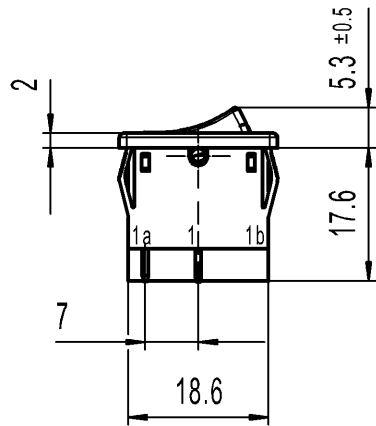
CONFIDENTIAL

VERTRAULICH

Alle Rechte bei Marquardt, auch fuer den Fall von Schutzrechtsanmeldungen. Jede Veruegungsbefugnis, wie Kopier- und Weitergaberecht, bei uns.

THIS DRAWING IS THE EXCLUSIVE PROPERTY OF MARQUARDT. WITHOUT THEIR CONSENT IT MAY NOT BE REPRODUCED OR GIVEN TO THIRD PARTIES.

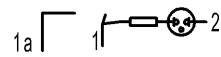
A	recommended cut-out for snap-in fixing (edge opposite to snap-in direction)	1	2	3	4
			wall thickness	length of cut-out	width of cut-out
			0.75 to 1.25	19.2 -0.1	21.9+0.1
			1.25 to 2	19.4 -0.1	21.9+0.1
		2 to 3	19.8 -0.1	21.9+0.1	



Marking

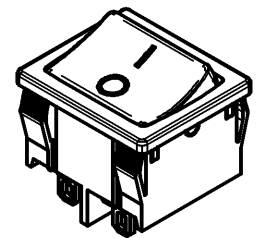
1805.
 6(4)/250~5E4 T100/55
 10(4)/250~
 5/50A 250V~

DPST
 Neon lamp with Rv for 230V AC
 Suitable for appliances of class II



6A 250V AC
 1/2 HP
 R 87

Code of manufacture: place/year/week



-	-	-	1805.6108-XX																																				
Figure	Type	Customer Part No.	Art.No.-PI																																				
Shape and location	Angle ± 2 °	Sheet 01	Ident. K																																				
	Edge tolerance	Format DIN A4	Document number 18056108																																				
	<table border="1"> <tr> <th colspan="2">Length</th> <th colspan="2">Radii</th> </tr> <tr> <td>0-6</td> <td>± 0.2</td> <td></td> <td>± 0.2</td> </tr> <tr> <td>>6-15</td> <td>± 0.4</td> <td></td> <td>±</td> </tr> <tr> <td>>15-30</td> <td>± 0.4</td> <td></td> <td>±</td> </tr> <tr> <td></td> <td>±</td> <td></td> <td>±</td> </tr> <tr> <td></td> <td>±</td> <td></td> <td>±</td> </tr> <tr> <td></td> <td>±</td> <td></td> <td>±</td> </tr> <tr> <td></td> <td>±</td> <td></td> <td>±</td> </tr> <tr> <td></td> <td>±</td> <td></td> <td>±</td> </tr> </table>	Length		Radii		0-6	± 0.2		± 0.2	>6-15	± 0.4		±	>15-30	± 0.4		±		±		±		±		±		±		±		±		±		±		±	Projection	Index b
	Length		Radii																																				
0-6	± 0.2		± 0.2																																				
>6-15	± 0.4		±																																				
>15-30	± 0.4		±																																				
	±		±																																				
	±		±																																				
	±		±																																				
	±		±																																				
	±		±																																				
		Scale 1:1	Appliance Switch																																				
		All dimensions are in millimetres																																					
b	137893	System NX V1872	 MARQUARDT																																				
a	46930	Replacement of																																					
	2021-06-07	Zg.gl.Nr.v.25.03.1997																																					
	2006-04-04																																						
Index	MEC-No.	Date (YYYY-MM-DD)																																					
		Edited by																																					