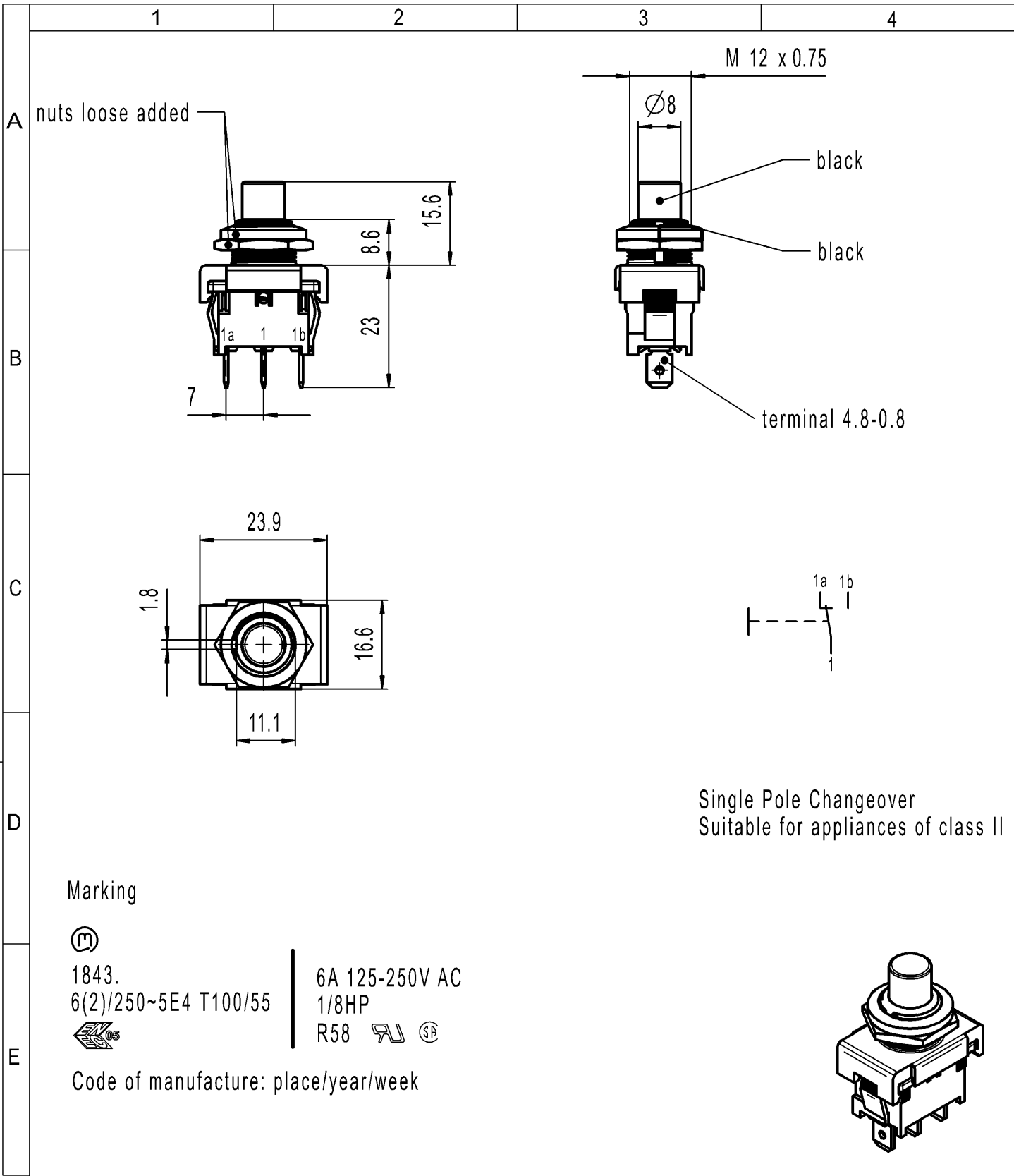


CONFIDENTIAL

VERTRAULICH

THIS DRAWING IS THE EXCLUSIVE PROPERTY OF MARQUARDT. WITHOUT THEIR CONSENT IT MAY NOT BE REPRODUCED OR GIVEN TO THIRD PARTIES.

Alle Rechte bei Marquardt, auch fuer den Fall von Schutzrechtsanmeldungen. Jede Veruegungsbefugnis, wie Kopier- und Weitergaberecht, bei uns.



Marking



1843.

6(2)/250~5E4 T100/55

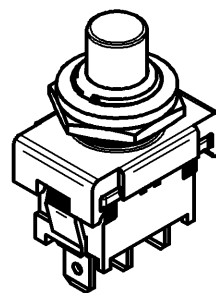


6A 125-250V AC

1/8HP

R58

Code of manufacture: place/year/week



-	-	-	1843.1201-XX							
Figure	Type	Customer No.	Art.No.-PI							
General tolerances										
All dimensions are in millimetres	Shape and location 	Angle $\pm 2^\circ$	Edge tolerance 	Length	Radii	Sheet 01	Ident. K	Document number 18431201	Index d	
				0-6	± 0.2					\pm
				>6-15	± 0.4					\pm
				>15-30	± 0.4					\pm
				>30-70	\pm					\pm
				>70-120	\pm					\pm
>120	\pm	\pm								
d	131663	2020-09-08	PANDHAREA	Format DIN A4	Projection 	Scale 1:1	Appliance Switch			
c	64533	2010-04-21	MUT	System NX V11.0						
b	56042	2008-01-16	VOR	Replacement of Zg.gl.Nr.v.13.11.2000						
a	29879	2000-11-13	ZIM	MARQUARDT						
Index	MEC-No.	Date (YYYY-MM-DD)	Edited by							