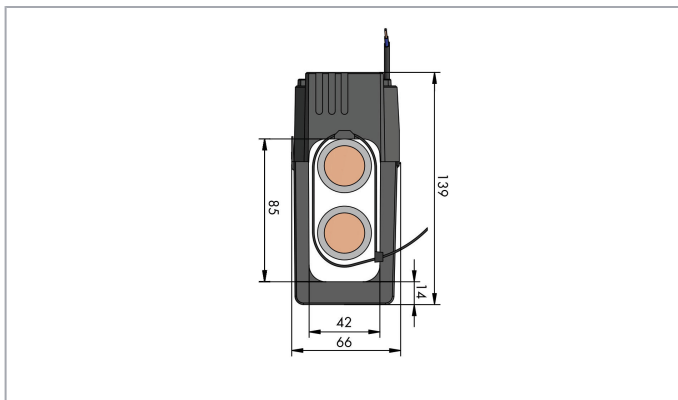
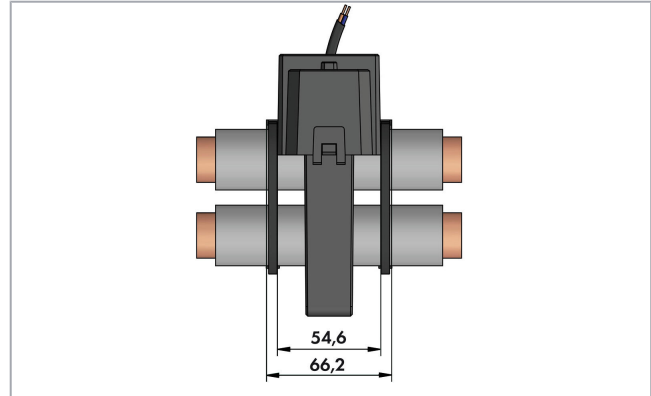
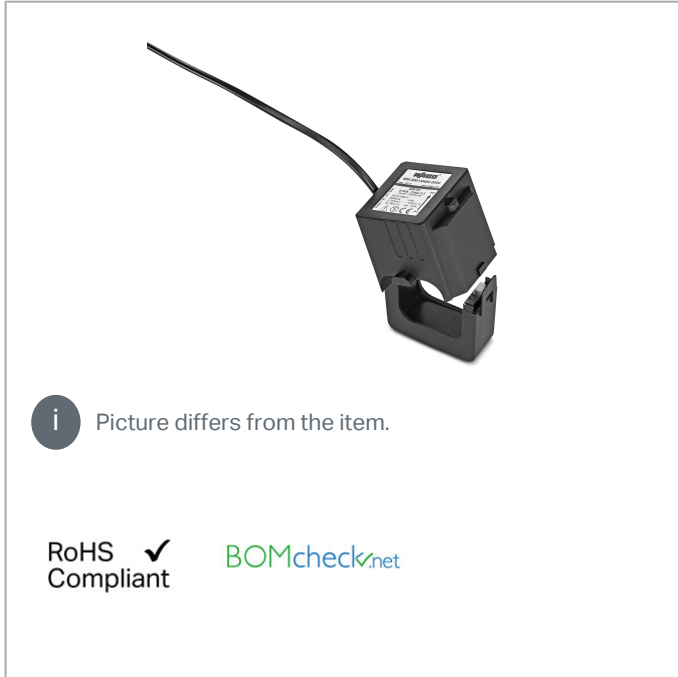


Data sheet | Item number: 855-5105/600-000

Split-core current transformer; Primary rated current: 600 A; Secondary rated current: 5 A; Rated power: 0.5 VA; Accuracy class: 0.5



www.wago.com/855-5105/600-000



Item description

Short description:

WAGO's compact split-core current transformers are ideal for retrofitting existing systems. They are perfect for applications in which the current path must not be disrupted.

The transformer's accuracy permits extremely precise current measurements. The split-core current transformers are capable of supplying the specified rated power at

Subject to changes. Please also observe the further product documentation!

WAGO Kontakttechnik GmbH & Co. KG
Hansastr. 27
32423 Minden
Phone: +49571 887-0 | Fax: +49571 887-169
Email: info.de@wago.com | Web: www.wago.com

Do you have any questions about our products?
We are always happy to take your call at +49 (571) 887-44222.

the end of the secondary cable. All transformers are supplied with color-coded cables. Two UV-resistant cable ties are also included for secure and easy mounting.

Features:

- Current ratios from 600 A (primary side) and 5 A (secondary side)
- No measuring cable interruption
- Ideal for use in very confined spaces
- Rapid mounting
- For use around insulated cables up to 42 mm diameter
- Compact and hinged
- Color-coded connecting cable 3 m

Data**Technical data****Input – current transformer**

Primary rated current	600 A
Rated continuous thermal current I_{cth}	100 %
Rated short-time thermal current I_{th}	$60 \times I_N / 1 \text{ s}$
Rated surge current I_{dyn}	$2.5 \times I_{th}$
Rated frequency	50 ... 60 Hz

Output – current transformer

Secondary rated current	5 A
Rated power S_r	0.5 VA

Measurement error

Accuracy class	0.5
----------------	-----

Safety and protection

Highest voltage for equipment U_m	AC 720 V _{rms}
Protection type	IP20

Test voltage

Test voltage	AC 3 kV; 50 Hz; 1 min
--------------	-----------------------

Subject to changes. Please also observe the further product documentation!

Connection data

Feedthrough for measurement conductor	2 x Ø 42 mm
Cable type	2 x 1.5 mm ² ; fine-stranded
Color code	black = S1; red = S2

Physical data

Cable length	3 m
--------------	-----

Mechanical data

Mounting type	Split-core current transformer (suspended)
---------------	--

Material data

Insulation class	E
Flammability class per UL94	V2
Housing material	PA 66
Weight	600 g

Environmental requirements

Surrounding air temperature (operation)	-10 ... 55 °C
Surrounding air temperature (storage)	-20 ... 70 °C
Relative humidity	5 ... 85 % (without condensation)
Operating altitude (max.)	2000 m

Standards and specifications

Conformity marking	CE
Standards/Specifications	EN 61869-1; EN 61869-2

Commercial data

Packaging type	BOX
Country of origin	NL
GTIN	4055143950800
Customs tariff number	85043180888

Subject to changes. Please also observe the further product documentation!

Compatible products

General accessories



Item no.: 857-551

Current signal conditioner; Current input signal; Current and voltage output signal; Digital output; Configuration via software; Supply voltage: 24 VDC; 6 mm module width

www.wago.com/857-551

Downloads

Documentation

Bid Text

X81 - Datei

xml
5.5 kB

[Download](#)

docx - Datei

docx
16.2 kB

[Download](#)

Instruction Leaflet

Kabelumbau-Stromwandler

V 1.1.0
15. 1. 2020

pdf
832.5 kB

[Download](#)

Engineering-Software

Software for Interface-Products

WAGO Interface Configuration Software G2 SMALL

1.0.5.03
14. 9. 2020

exe
29.8 MB

[Download](#)

The full setup only includes the WAGO Interface Configuration Software G2.

WAGO Interface Configuration Software G2 FULL

1.0.5.03
14. 9. 2020

exe
113.7 MB

[Download](#)

The full setup, in addition to the WAGO Interface Configuration Software G2, includes the installation for the Microsoft .NET Framework.

Environmental Product Compliance

Compliance Search

Environmental Product Compliance 855-5105/600-000

URL [Download](#)

Split-core current transformer; Primary rated current: 600 A; Secondary rated current: 5 A; Rated power: 0.5 VA; Accuracy class: 0.5

Installation Notes

Subject to changes. Please also observe the further product documentation!

WAGO Kontakttechnik GmbH & Co. KG

Hansastr. 27

32423 Minden

Phone: +49571 887-0 | Fax: +49571 887-169

Email: info.de@wago.com | Web: www.wago.com

Do you have any questions about our products?

We are always happy to take your call at +49 (571) 887-44222.

Installation



Simple termination!



Quick and easy mounting!



Subject to changes. Please also observe the further product documentation!