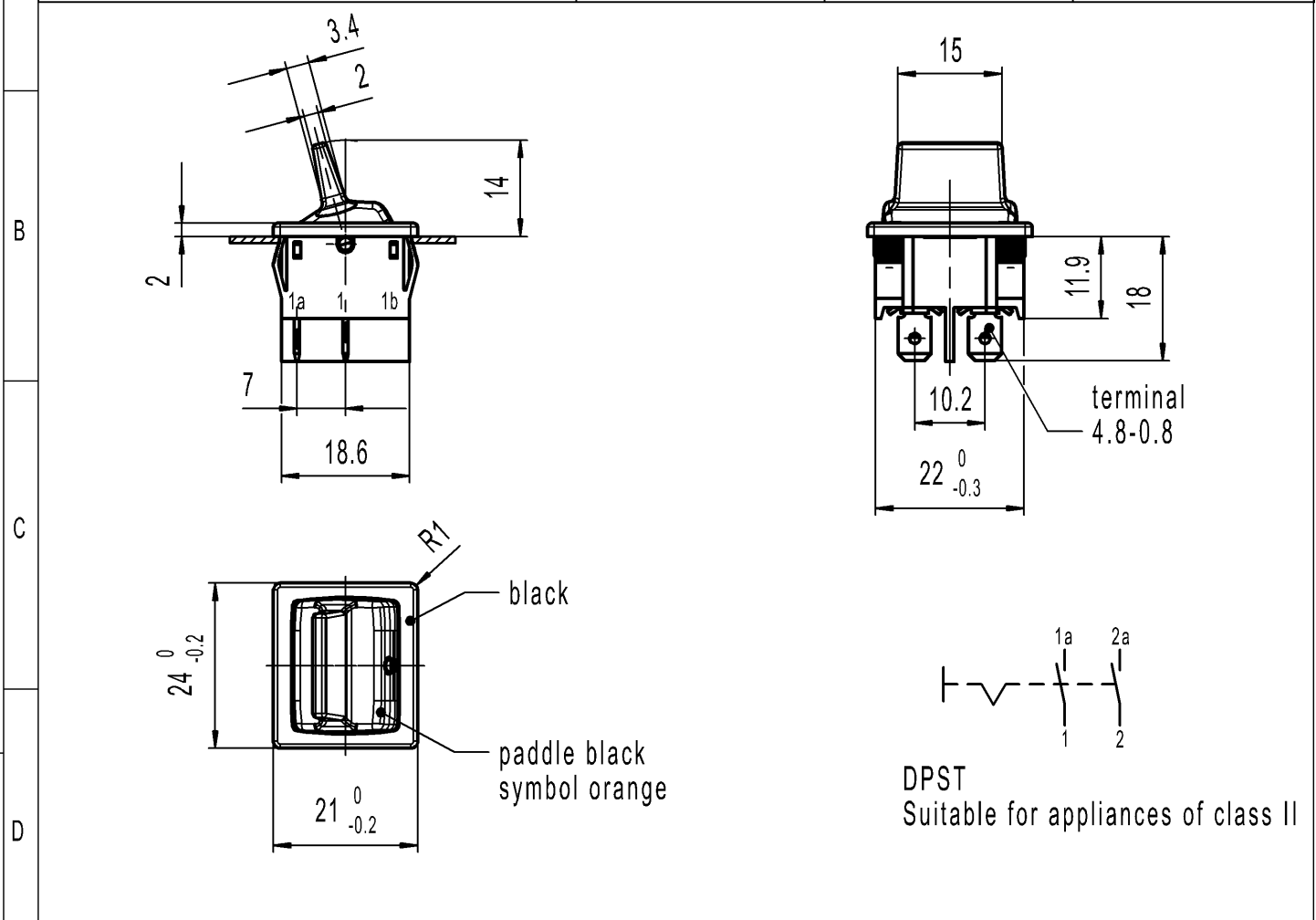


CONFIDENTIAL

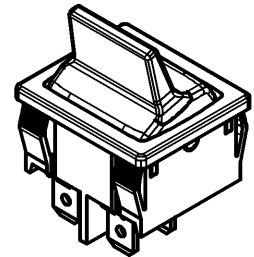
VERTRAULICH

THIS DRAWING IS THE EXCLUSIVE PROPERTY OF MARQUARDT. WITHOUT THEIR CONSENT IT MAY NOT BE REPRODUCED OR GIVEN TO THIRD PARTIES.

A	recommended cut-out for snap-in fixing (edge opposite to snap-in direction)	1	2	3	4	
				wall thickness	length of cut-out	width of cut-out
				0.75 to 1.25	19.2 -0.1	21.9+0.1
				1.25 to 2	19.4 -0.1	21.9+0.1
		2 to 3	19.8 -0.1	21.9+0.1		



DPST
Suitable for appliances of class II



Marking

 1812. 6(4)/250~5E4 10(4)/250~ 	 T100/55 6A 125-250V AC 1/4HP 125V AC 1/2HP 250V AC R30
---	--

Code of manufacture: place/year/week

-	-	-	1812.1102-XX
Figure	Type	Customer Part No.	Art.No.-PI
Shape and location	Angle $\pm 2^\circ$	Sheet 01	Ident. K
	Edge tolerance	Format DIN A4	Document number 18121102
	0-6 ± 0.2	Projection	Index f
	>6-15 ± 0.4	Scale 1:1	Appliance Switch
>15-30 ± 0.4	All dimensions are in millimetres	System NX V1872	
\pm			Replacement of
\pm	Zchng.gl.Nr.v.17.12.82		
\pm		MOHITEN	
\pm	MUT		
\pm		VOR	
\pm	BMI		
\pm		Edited by	
\pm	Date (YYYY-MM-DD)		
\pm		MEC-No.	
\pm	Index		



Alle Rechte bei Marquardt, auch fuer den Fall von Schutzrechtsanmeldungen. Jede Verfuugungsbezugnis, wie Kopier- und Weitergaberecht, bei uns.

©