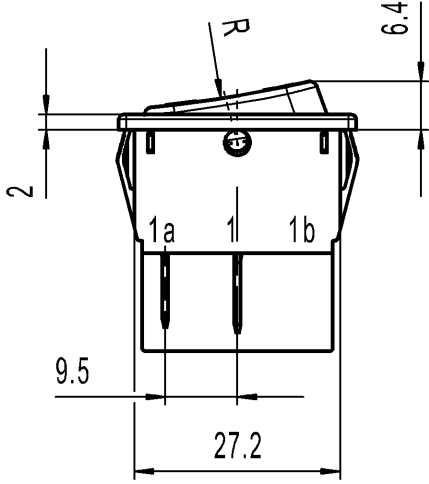
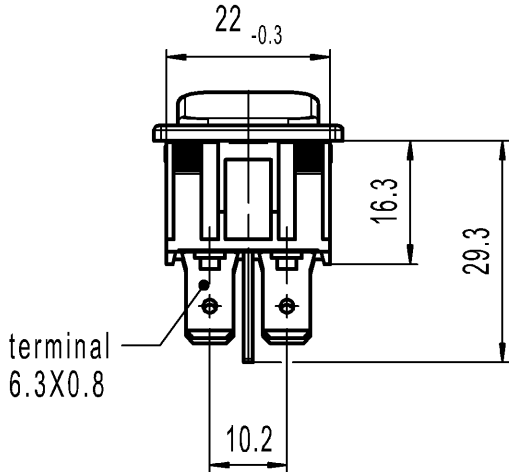
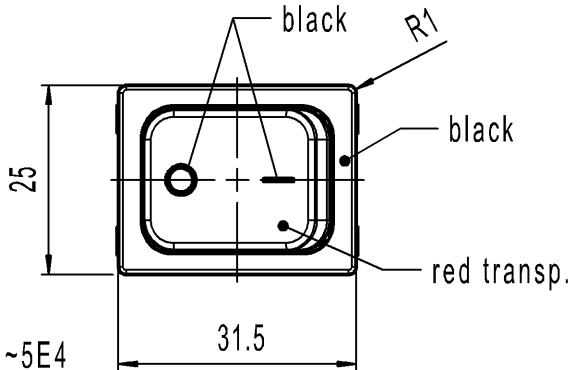
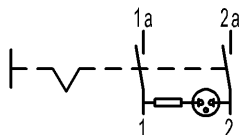


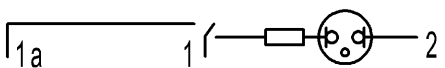
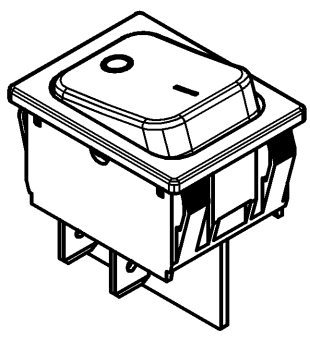


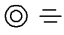
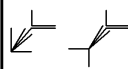
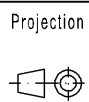
CONFIDENTIAL

VERTRAULICH

THIS DRAWING IS THE EXCLUSIVE PROPERTY OF MARQUARDT. WITHOUT THEIR CONSENT IT MAY NOT BE REPRODUCED OR GIVEN TO THIRD PARTIES.

Alle Rechte bei Marquardt, auch fuer den Fall von Schutzrechtsanmeldungen. Jede Veruegungsbefugnis, wie Kopier- und Weitergaberecht, bei uns.

	1	2	3	4	
A	recommended cut-out for snap-in fixing (edge opposite to snap-in direction)		wall thickness	length of cut-out	width of cut-out
			0.75 to 1.25	30 -0.1	22+0.2
			1.25 to 2	30.2 -0.1	22+0.2
			2 to 3	30.6 -0.1	22+0.2
B					
C					
D	<p>Marking</p> <p>Ⓜ</p> <p>1835.</p> <p>10(8)/250 ~5E4</p> <p>20(4)/250 ~ T85/55</p> <p>5/120A 250V~</p> 		<p>DPST</p> <p>Neon lamp with Rv for 115 - 230V AC</p> <p>Suitable for appliance of class II</p>		
E	<p>16A 250V AC</p> <p>1 HP</p> <p>R142 </p>  <p>Code of manufacture: place/year/week</p>				

-	-	-	1835.3116-XX
Figure	Type	Customer Part No.	Art.No.-PI
Shape and location 	Angle ± 2 °	Sheet 01	
	Edge tolerance	Ident.	Document number
	Length	K	18353116
	Radii	Index	c
		Appliance Switch	
c	140527	2021-12-29	MOHITEN
b	64507	2009-10-13	HHE
a	39880	2004-04-19	HHE
	39087	2003-12-05	HHE
Index	MEC-No.	Date (YYYY-MM-DD)	Edited by
		All dimensions are in millimetres	Replacement of
		Format DIN A4	Zg.gl.Nr.v.05.12.2003
		Projection 	System NX V1872
		Scale 1:1	MARQUARDT