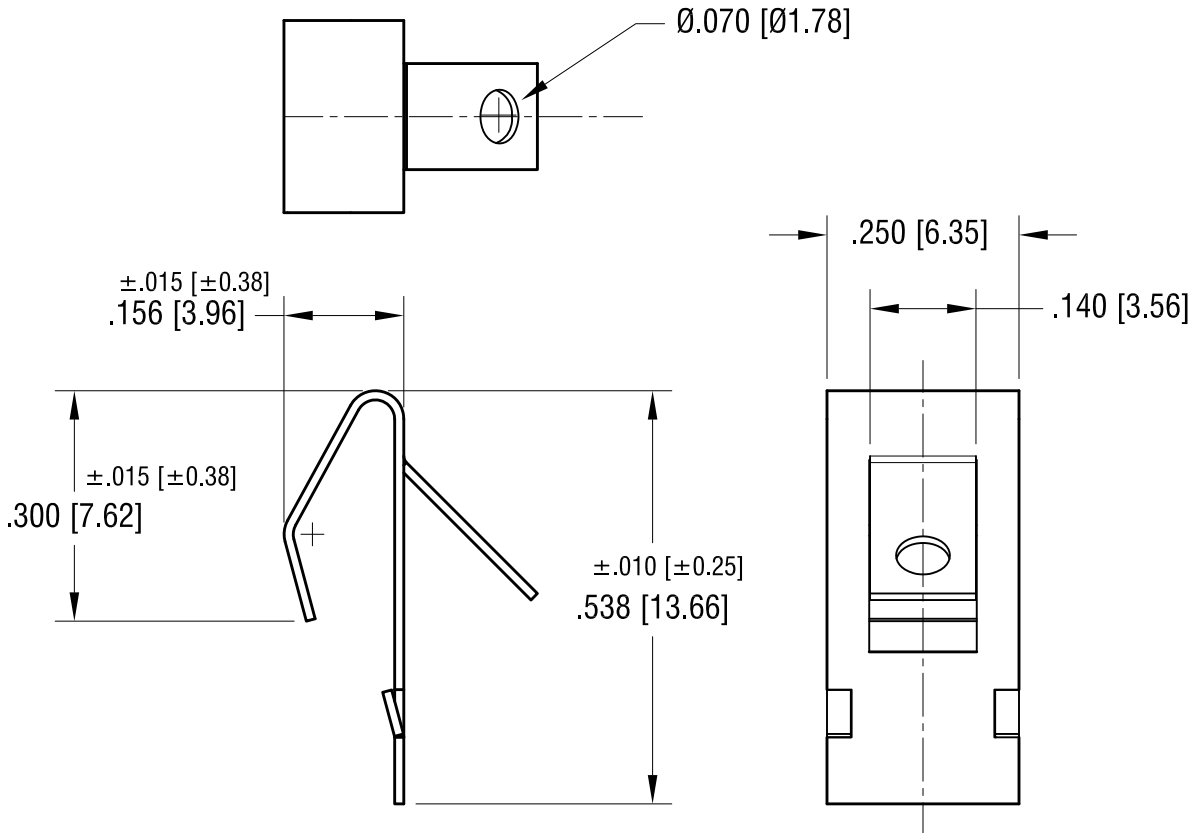
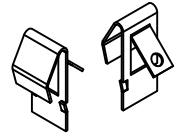


THIS DOCUMENT IS THE PROPERTY OF
KEYSTONE ELECTRONICS CORP. AND
SHALL NOT BE REPRODUCED, DISTRIBUTED
OR USED AS A BASIS FOR MANUFACTURE
WITHOUT PRIOR WRITTEN PERMISSION
FROM KEYSTONE ELECTRONICS CORP.

ACTUAL SIZE



1.19.15	CHANGE AS PER ECN 15-012	A
DATE	DESCRIPTION	REV.

KEYSTONE ELECTRONICS CORP.			
www.keyelco.com • ASTORIA, N.Y. 11105-2017 • Tel (718) 956-8900			
PART NAME			
SOLDER TAIL BATTERY CONTACT			
MATERIAL			
.012 [0.30] TH'K STAINLESS STEEL			
FINISH		DRN BY	DATE
TIN NICKEL PLATE		NT	12.01.14
		APP'D	SCALE
		LN	4X
TOLERANCES	INCH [MM]	CODE	DWG NO.
DECIMAL	± .005 [± 0.13]	C	1107-1
ANGULAR	± 1°		
UNLESS OTHERWISE SPECIFIED			