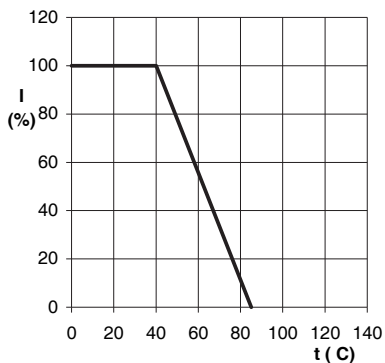
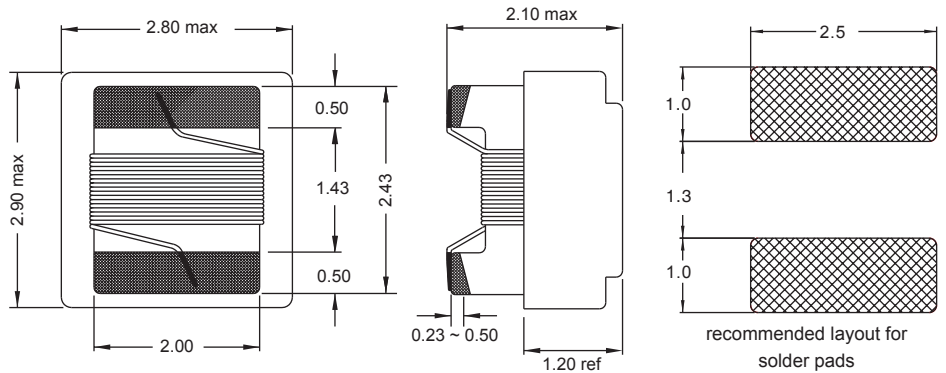
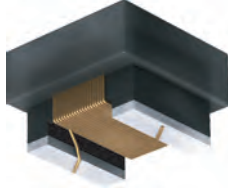
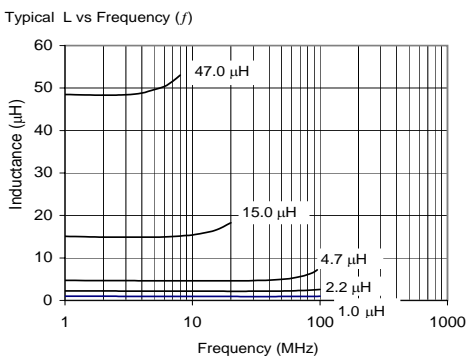
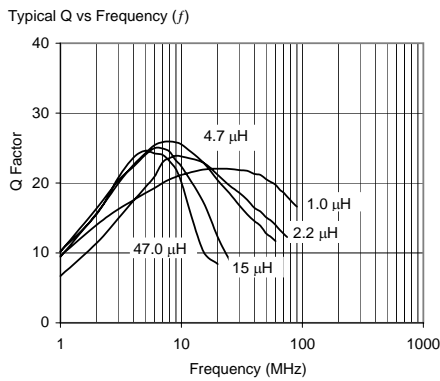


1008 F

Engineer's Kit : EK-1008F-X



Current carrying capacity dependent on the ambient temperature



Part No	Inductance L (μH)	f _L (MHz)	Tol ± (%)	Q min	f _α (MHz)	SRF ¹ (MHz)	DCR max (Ω)	Rated DC Current (mA)
1008F-1R0K-01	1.0	7.9	10	15	7.9	190	0.32	500
1008F-1R2K-01	1.2	7.9	10	25	7.9	210	0.68	650
1008F-1R5K-01	1.5	7.9	10	25	7.9	190	0.76	630
1008F-1R8K-01	1.8	7.9	10	25	7.9	170	0.84	600
1008F-2R2K-01	2.2	7.9	10	25	7.9	150	1.10	520
1008F-2R7K-01	2.7	7.9	10	25	7.9	135	1.28	490
1008F-3R3K-01	3.3	7.9	10	25	7.9	120	1.46	450
1008F-3R9K-01	3.9	7.9	10	25	7.9	105	1.56	420
1008F-4R7K-01	4.7	7.9	10	25	7.9	90	1.68	400
1008F-5R6K-01	5.6	7.9	10	25	7.9	80	1.82	380
1008F-6R8K-01	6.8	7.9	10	25	7.9	70	2.00	360
1008F-8R2K-01	8.2	7.9	10	25	7.9	65	2.65	330
1008F-100K-01	10	7.9	10	25	7.9	60	2.95	300
1008F-120K-01	12	2.5	10	24	7.9	40	4.80	280
1008F-150K-01	15	2.5	10	23	7.9	35	5.00	260
1008F-180K-01	18	2.5	10	23	7.9	35	5.80	220
1008F-220K-01	22	2.5	10	22	7.9	30	6.80	200
1008F-240K-01	24	2.5	10	22	7.9	30	6.80	200
1008F-270K-01	27	2.5	10	23	7.9	30	7.70	190
1008F-330K-01	33	2.5	10	22	7.9	27	8.90	180
1008F-390K-01	39	2.5	10	20	7.9	20	9.20	190
1008F-470K-01	47	2.5	10	21	7.9	20	11.0	150
1008F-820K-01	82	2.5	10	13	7.9	14	22.0	60
1008F-101K-01	100	2.5	10	8	7.9	20	25.0	55

Material : Ferrite

SPQ : Reel 2000 [-01]
7500 [-04]

Remarks: - For not listed inductance values please check availability with us.
- 2% and 5% available on request.
- SRF¹ : 1.0μH to 3.3μH = SRF min
: 3.9μH to 100μH = SRF typ

Chip Inductors (wire wound - open)