

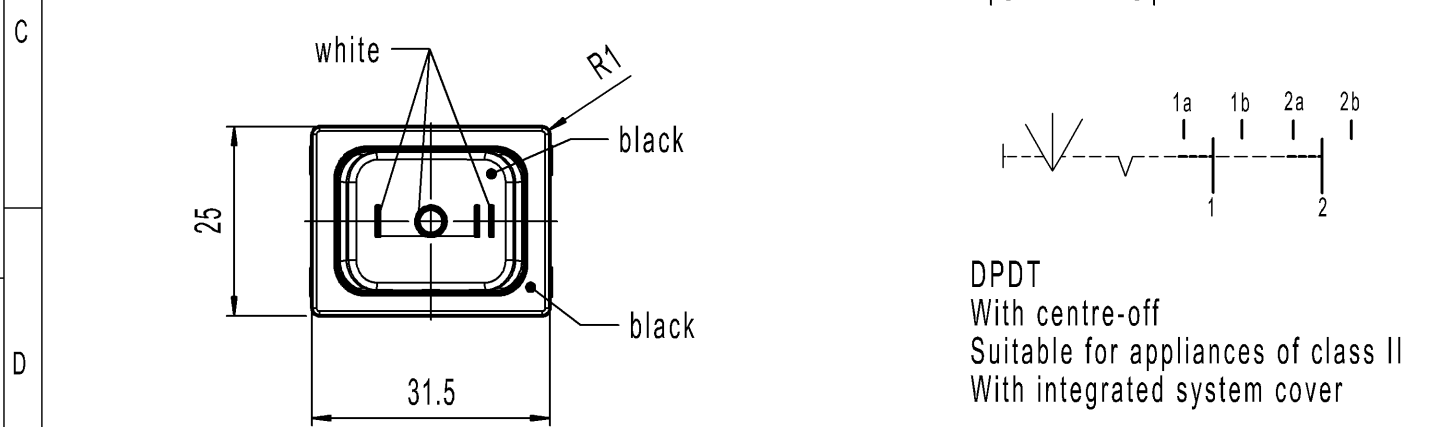
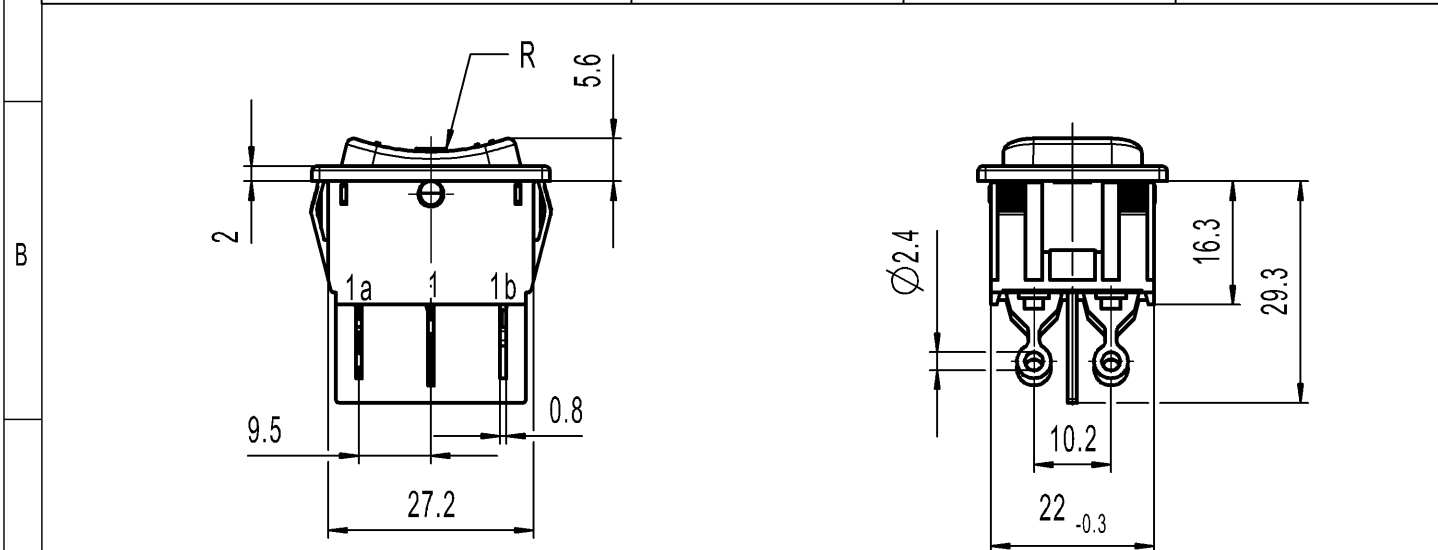
THIS DRAWING IS THE EXCLUSIVE PROPERTY OF MARQUARDT. WITHOUT THEIR CONSENT IT MAY NOT BE REPRODUCED OR GIVEN TO THIRD PARTIES.

CONFIDENTIAL

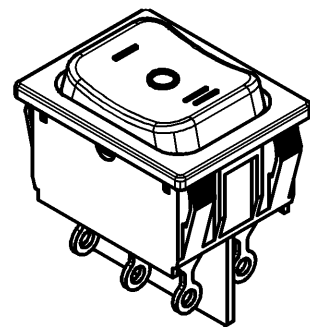
VERTRAULICH

Alle Rechte bei Marquardt, auch fuer den Fall von Schutzrechtsanmeldungen. Jede Verfertigungsbefugnis, wie Kopier- und Weitergaberecht, bei uns.

A	recommended cut-out for snap-in fixing (edge opposite to snap-in direction)	1	2	3	4	
				wall thickness	length of cut-out	width of cut-out
				0.75 to 1.25	30 -0.1	22+0.2
				1.25 to 2	30.2 -0.1	22+0.2
		2 to 3	30.6 -0.1	22+0.2		



DPDT
With centre-off
Suitable for appliances of class II
With integrated system cover



E
Marking
Code of manufacture: place/year/week

-	-	-	1839.0105-XX
Figure	Type	Customer Part No.	Art.No.-PI
Shape and location	Angle $\pm 2^\circ$	Sheet 01	Ident. K
	Edge tolerance	Format DIN A4	Document number 18390105
	0-6 ± 0.2	Projection	Index c
	>6-15 ± 0.4	Scale 1:1	Appliance Switch
>15-30 ± 0.4	All dimensions are in millimetres	System NX V1899	
>30-70 ± 0.6			Replacement of
\pm	Zg.gl.Nr.v.08.10.2001	 MARQUARDT	
\pm			
c	141196	2022-06-14	MOHITEN
b	64508	2009-08-20	HHE
a	35777	2003-03-12	HHE
	32609	2001-10-08	GRH
Index	MEC-No.	Date (YYYY-MM-DD)	Edited by