

## Data sheet | Item number: 855-801/1000-1001

Plug-in current transformer; Primary rated current: 1000 A; Secondary rated current: 1 A; Rated power: 10 VA; Accuracy class: 1

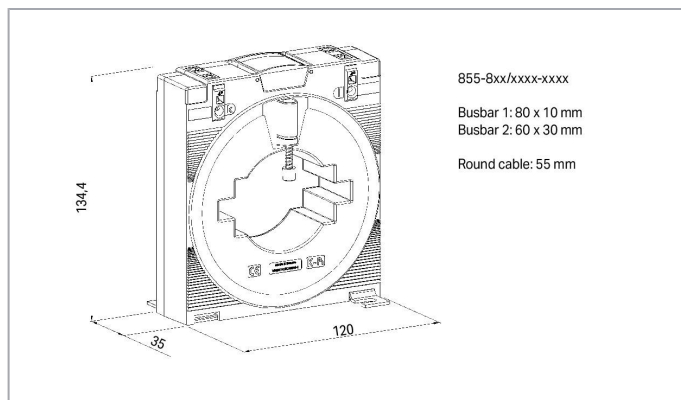
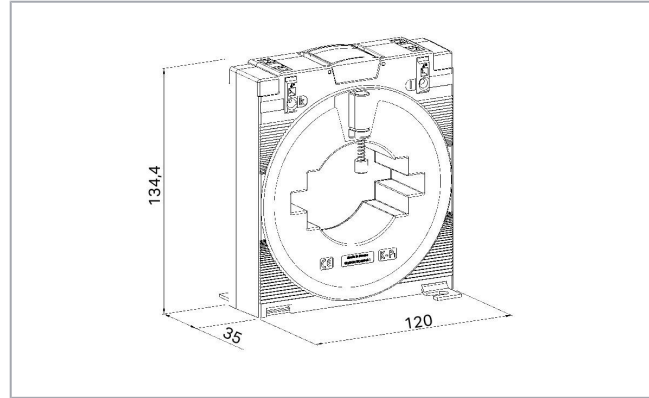


[www.wago.com/855-801/1000-1001](http://www.wago.com/855-801/1000-1001)



 Picture differs from the item.

RoHS  Compliant 



### Item description

#### Short description:

These plug-in units (855 Series) are inductive, single-conductor current transformers. Due to the measurement principle used, these current transformers are exclusively designed for AC network applications.

#### Features:

Subject to changes. Please also observe the further product documentation!

WAGO Kontakttechnik GmbH & Co. KG  
Hansastr. 27  
32423 Minden  
Phone: +49571 887-0 | Fax: +49571 887-169  
Email: [info.de@wago.com](mailto:info.de@wago.com) | Web: [www.wago.com](http://www.wago.com)

Do you have any questions about our products?  
We are always happy to take your call at +49 (571) 887-44222.



- Screwless CAGE CLAMP® connection technology
- Several mounting options available
- Vibration- and shock-resistant
- High mechanical retention forces
- High current-carrying capacity
- Continuous overload of 120% the nominal primary current
- Low-voltage current transformer for operating voltages up to max. 1.2 kV
- For 690 V power networks
- UL recognized components

## Data

### Technical data

#### Input – current transformer

Primary rated current	1000 A
Rated continuous thermal current $I_{cth}$	$1.2 \times I_N$
Rated short-time thermal current $I_{th}$	$60 \times I_N / 1 \text{ s}$ (max. 100 kA / 1 s)
Overcurrent limiting factor	FS5 / FS10 (type dependent; see type plate inscription)
Rated frequency	50 ... 60 Hz

#### Output – current transformer

Secondary rated current	1 A
Rated power $S_r$	10 VA

#### Measurement error

Accuracy class	1
----------------	---

#### Safety and protection

Highest voltage for equipment $U_m$	AC 1.2 kV <sub>rms</sub>
-------------------------------------	--------------------------

#### Test voltage

Test voltage	AC 6 kV; 50 Hz; 1 min
--------------	-----------------------

Subject to changes. Please also observe the further product documentation!



## Connection data

Connection technology	CAGE CLAMP®
Solid conductor	0.08 ... 4 mm <sup>2</sup> / 28 ... 12 AWG
Fine-stranded conductor	0.08 ... 4 mm <sup>2</sup> / 28 ... 12 AWG
Strip length	9 ... 10 mm / 0.35 ... 0.39 inch

## Physical data

Width	120 mm / 4.724 inch
Height	134.4 mm / 5.291 inch
Depth	52 mm / 2.047 inch

## Mechanical data

Mounting type	Closed current transformer Installation on mounting plate Mounting on round cable
---------------	---

## Material data

Insulation class	E
Weight	390 g

## Environmental requirements

Surrounding air temperature (operation)	-5 ... 50 °C
Surrounding air temperature (storage)	-25 ... 70 °C
Operating altitude (max.)	1000 m

## Standards and specifications

Conformity marking	CE
Standards/Specifications	EN 61869-1; EN 61869-2; UL: E356480

## Commercial data

Packaging type	BOX
Country of origin	HU
GTIN	4055143523264
Customs tariff number	85043129900

Subject to changes. Please also observe the further product documentation!

## Compatible products

### tools



**Item no.: 210-720**

Operating tool; Blade: 3.5 x 0.5 mm; with a partially insulated shaft; multicoloured

[www.wago.com/210-720](http://www.wago.com/210-720)

### General accessories



**Item no.: 2007-8873**

Compact terminal block; for current and voltage transformers; 6,00 mm<sup>2</sup>; multicoloured

[www.wago.com/2007-8873](http://www.wago.com/2007-8873)



**Item no.: 2007-8874**

Compact terminal block; for current and voltage transformers; 6,00 mm<sup>2</sup>; multicoloured

[www.wago.com/2007-8874](http://www.wago.com/2007-8874)



**Item no.: 2007-8875**

Compact terminal block; for current transformer circuit; 6,00 mm<sup>2</sup>; multicoloured

[www.wago.com/2007-8875](http://www.wago.com/2007-8875)



**Item no.: 2007-8876**

Compact terminal block; for 3-phase current transformer circuit; 6,00 mm<sup>2</sup>; multicoloured

[www.wago.com/2007-8876](http://www.wago.com/2007-8876)



**Item no.: 2007-8877**

Compact terminal block; for current transformer circuit; 6,00 mm<sup>2</sup>; multicoloured

[www.wago.com/2007-8877](http://www.wago.com/2007-8877)



**Item no.: 2857-570/024-001**

3-Phase Power Measurement Module; 3x400/690 V/1 A; Modbus RTU; Digital output; Configuration via software; Supply voltage: 24 VDC

[www.wago.com/2857-570/024-001](http://www.wago.com/2857-570/024-001)



**Item no.: 857-550**

Current signal conditioner; Current input signal; Current and voltage output signal; Digital output; Configuration via software; Supply voltage: 24 VDC; 6 mm module width; 2,50 mm<sup>2</sup>

[www.wago.com/857-550](http://www.wago.com/857-550)



**Item no.: 857-551**

Current signal conditioner; Current input signal; Current and voltage output signal; Digital output; Configuration via software; Supply voltage: 24 VDC; 6 mm module width

[www.wago.com/857-551](http://www.wago.com/857-551)

### assembling



**Item no.: 855-9910**

Quick-mount kit

[www.wago.com/855-9910](http://www.wago.com/855-9910)

## Downloads

### Documentation

#### Bid Text

855-801/1000-1001 X81 - Datei	19. 2. 2019	xml 5.0 kB	Download
855-801/1000-1001 doc - Datei	11. 12. 2017	doc 32.8 kB	Download

### Additional Information

Subject to changes. Please also observe the further product documentation!

WAGO Kontakttechnik GmbH & Co. KG  
Hansastr. 27  
32423 Minden  
Phone: +49571 887-0 | Fax: +49571 887-169  
Email: [info.de@wago.com](mailto:info.de@wago.com) | Web: [www.wago.com](http://www.wago.com)

Do you have any questions about our products?  
We are always happy to take your call at +49 (571) 887-44222.



Disposal; Electrical and electronic equipment, Packaging

V 1.0.0

pdf  
265.8 kB

[Download](#)

## Engineering-Software

### Software for Interface-Products

WAGO Interface Configuration Software G2 SMALL	1.0.5.03	exe	Download
The full setup only includes the WAGO Interface Configuration Software G2.	14. 9. 2020	29.8 MB	

WAGO Interface Configuration Software G2 FULL	1.0.5.03	exe	Download
The full setup, in addition to the WAGO Interface Configuration Software G2, includes the installation for the Microsoft .NET Framework.	14. 9. 2020	113.7 MB	

## CAD/CAE-Data

### CAD data

2D/3D Models 855-801/1000-1001	URL	Download
--------------------------------	-----	----------

### CAE data

EPLAN Data Portal 855-801/1000-1001	URL	Download
-------------------------------------	-----	----------

ZUKEN Portal 855-801/1000-1001	URL	Download
--------------------------------	-----	----------

EPLAN Data Portal 855-801/1000-1001	URL	Download
-------------------------------------	-----	----------

## Environmental Product Compliance

### Compliance Search

Environmental Product Compliance 855-801/1000-1001	URL	Download
Plug-in current transformer; Primary rated current: 1000 A; Secondary rated current: 1 A; Rated power: 10 VA; Accuracy class: 1		

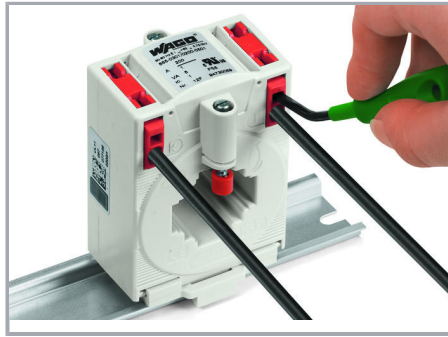
## Installation Notes

### Conductor termination

Subject to changes. Please also observe the further product documentation!

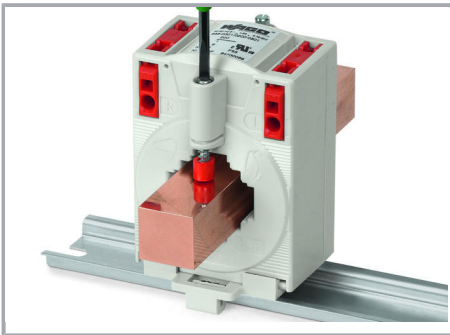


Conductor termination – screwdriver actuation perpendicular to conductor entry

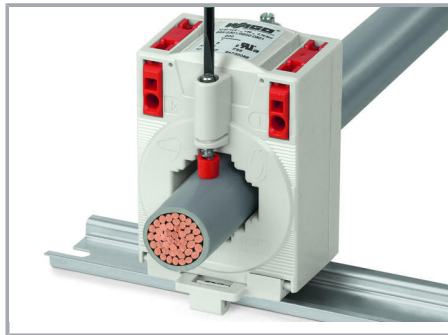


Conductor termination – screwdriver actuation parallel to conductor entry

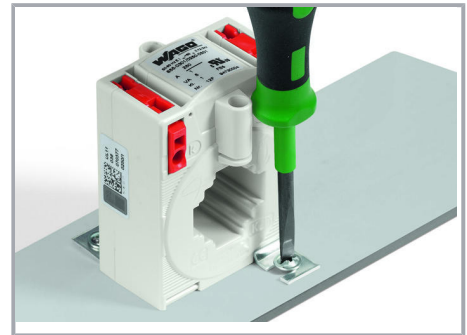
### Installation



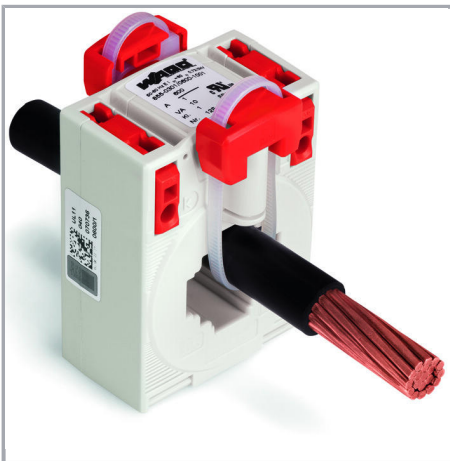
Installation on copper current bar



Installation on round cable



Installation on mounting plate



Installation via 855-9910 Quick-Mount Kit

Subject to changes. Please also observe the further product documentation!