



Connectors > Connector Accessories > Connector Backshells > CPC Cable Clamps



Connector Backshell Product Style: **Unscreened**

Connector Backshell Product Type: **Cable Clamping Shell**

Cable Entry Diameter: **17.86 mm [.703 in]**

Primary Product Material: **Nylon**

Body Orientation: **Right Angle**

[All CPC Cable Clamps \(25\)](#)

Features

Product Type Features

Connector Backshell Product Style	Unscreened
Connector Backshell Product Type	Cable Clamping Shell

Body Features

Primary Product Color	Black
Primary Product Material	Nylon

Mechanical Attachment

Thread Size	1-3/8-18 UNEF-2B
-------------	------------------

Housing Features

Body Orientation	Right Angle
Compatible With Connector Shape	Circular

Dimensions

Cable Entry Diameter	17.86 mm[.703 in]
----------------------	-------------------



Operation/Application

Compatible With Connector Shell Size	23
--------------------------------------	----

Industry Standards

UL Flammability Rating	UL 94V-0
------------------------	----------

Packaging Features

Packaging Quantity	1
Packaging Method	Individual

Product Compliance

[For compliance documentation, visit the product page on TE.com>](#)

EU RoHS Directive 2011/65/EU	Compliant
EU ELV Directive 2000/53/EC	Compliant
China RoHS 2 Directive MIIT Order No 32, 2016	No Restricted Materials Above Threshold
EU REACH Regulation (EC) No. 1907/2006	Current ECHA Candidate List: JUNE 2023 (235) Candidate List Declared Against: JAN 2022 (223) Does not contain REACH SVHC
Halogen Content	Not Low Halogen - contains Br or Cl > 900 ppm.
Solder Process Capability	Not applicable for solder process capability

Product Compliance Disclaimer

This information is provided based on reasonable inquiry of our suppliers and represents our current actual knowledge based on the information they provided. This information is subject to change. The part numbers that TE has identified as EU RoHS compliant have a maximum concentration of 0.1% by weight in homogenous materials for lead, hexavalent chromium, mercury, PBB, PBDE, DBP, BBP, DEHP, DIBP, and 0.01% for cadmium, or qualify for an exemption to these limits as defined in the Annexes of Directive 2011/65/EU (RoHS2). Finished electrical and electronic equipment products will be CE marked as required by Directive 2011/65/EU. Components may not be CE marked. Additionally, the part numbers that TE has identified as EU ELV compliant have a maximum concentration of 0.1% by weight in homogenous materials for lead, hexavalent chromium, and mercury, and 0.01% for cadmium, or qualify for an exemption to these limits as defined in the Annexes of Directive 2000/53/EC (ELV). Regarding the REACH Regulation, the information TE provides on SVHC in articles for this part number is based on the latest European Chemicals Agency (ECHA) 'Guidance on requirements for substances in articles' posted at this URL: <https://echa.europa.eu/guidance-documents/guidance-on-reach>

Compatible Parts




TE Part # CAT-AM71-C83998BB
CPC SERIES 3



TE Part # CAT-AM71-C83998M
CPC Connectors, Series 2



TE Part # CAT-AM71-C83998J
Cable/Panel Mount Connector, CPC Series 1



TE Part # CAT-AM71-C83998F
Connectors with Posted Pin Contacts, CPC Series 1



TE Part # CAT-AM71-C83998CC
CPC Connector Housing, Series 4



TE Part # CAT-AM71-C83998E
Connectors with Posted Contacts, CPC Series 2



TE Part # CAT-AM71-C83998K
Circular Connector, Environmentally Sealed, CPC Series 6



TE Part # CAT-AM71-C83998Y
One-Piece Connector, Sealed, CPC Series 1



TE Part # 206306-2
23-37 F H RECEPT REV SEX




TE Part # 206306-5
CPC RECEPT ASSEMBLY SIZE 23-37



TE Part # 206306-1
23-37 RECEPT REV SEX



TE Part # 1-206934-1
CPC RECPT ASSEMBLY SIZE 23-37




TE Part # CAT-AM71-C83998GG
Connectors with Posted Pin Contacts, Right Angle, CPC Series 1

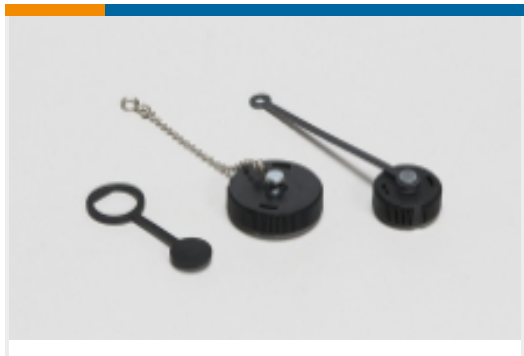


TE Part # 1-206934-7
CPC RECPT ASSEMBLY SIZE 23-37


Also in the Series | AMP CPC




Circular Connector Adapters(7)



Circular Connector Caps & Covers(16)



Circular Connector Hardware(3)



Circular Connector Keying Plugs(2)



Circular Connector Seals(36)



Circular Power Connectors(459)



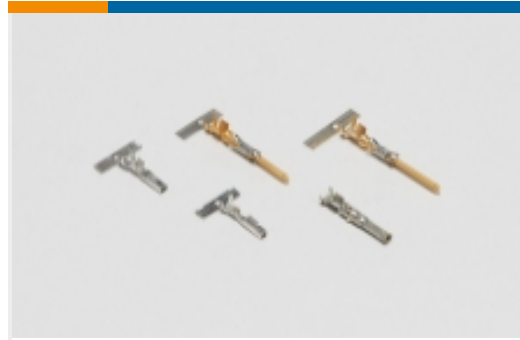
Connector Backshells(56)



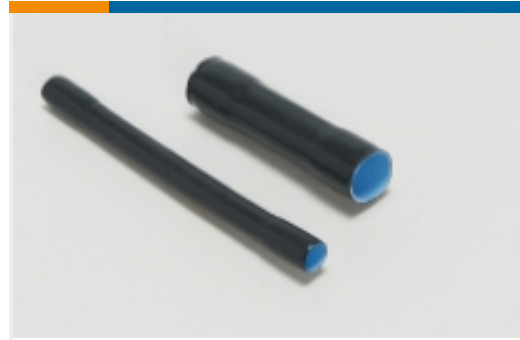
Connector Strain Relief(6)



Insertion & Extraction Tools(1)

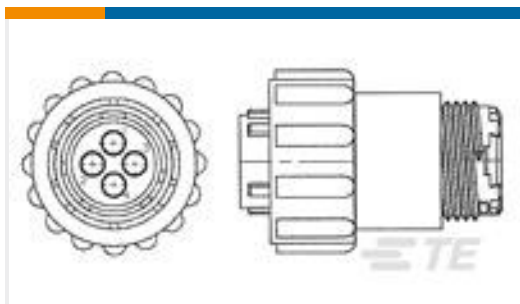


Power Contacts(6)



Sealing Sleeves(2)

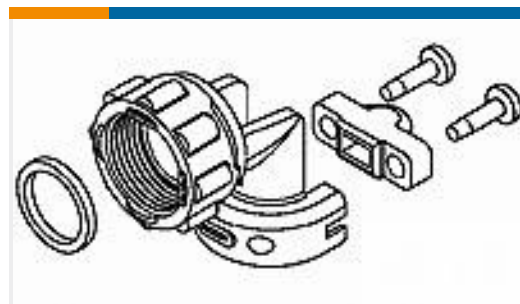
Customers Also Bought



TE Part #796274-1
SLD CPC PLUG ASSY,17-16,STD SX



TE Part #DT06-3S-CE01
PLG, 3P, GRY, E, CAP



TE Part #796380-2
R/A STRN RELIEF KIT,SZ 13,CPC



TE Part #1-66359-8
III+PIN,18-14,TIN,STRIP



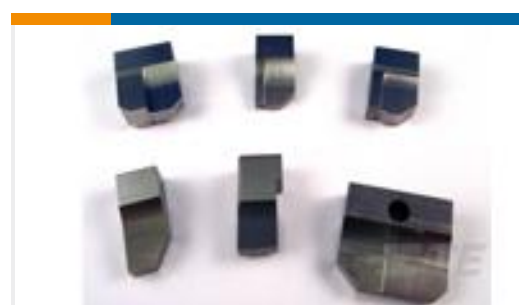
TE Part #796466-1
SLD CPC RCPT ASSY,23-16,STD SX



TE Part #1-1438608-1
2POS MQS REC SEALED COD A



TE Part #2119784-7
CRIMPER, INSUL O PREMIUM



TE Part #1333228-3
ANVIL



TE Part #2103731-3
SPACER-SEAL ASSY,SIZE C,HVA280
2PI SE



TE Part #2103736-3
RETAINER,SPACER-SL, SZ C,HVA280
2PI SE

Documents



Product Drawings

[R/A STRN RELIEF KIT,SZ 23,CPC](#)

English

CAD Files

Customer View Model

[ENG_CVM_CVM_796382-2_D.2d_dxf.zip](#)

English

3D PDF

3D

Customer View Model

[ENG_CVM_CVM_796382-2_D.3d_igs.zip](#)

English

Customer View Model

[ENG_CVM_CVM_796382-2_D.3d_stp.zip](#)

English

By downloading the CAD file I accept and agree to the [Terms and Conditions](#) of use.

Product Specifications

[Application Specification](#)

English

Instruction Sheets

[Instruction Sheet \(U.S.\)](#)

English