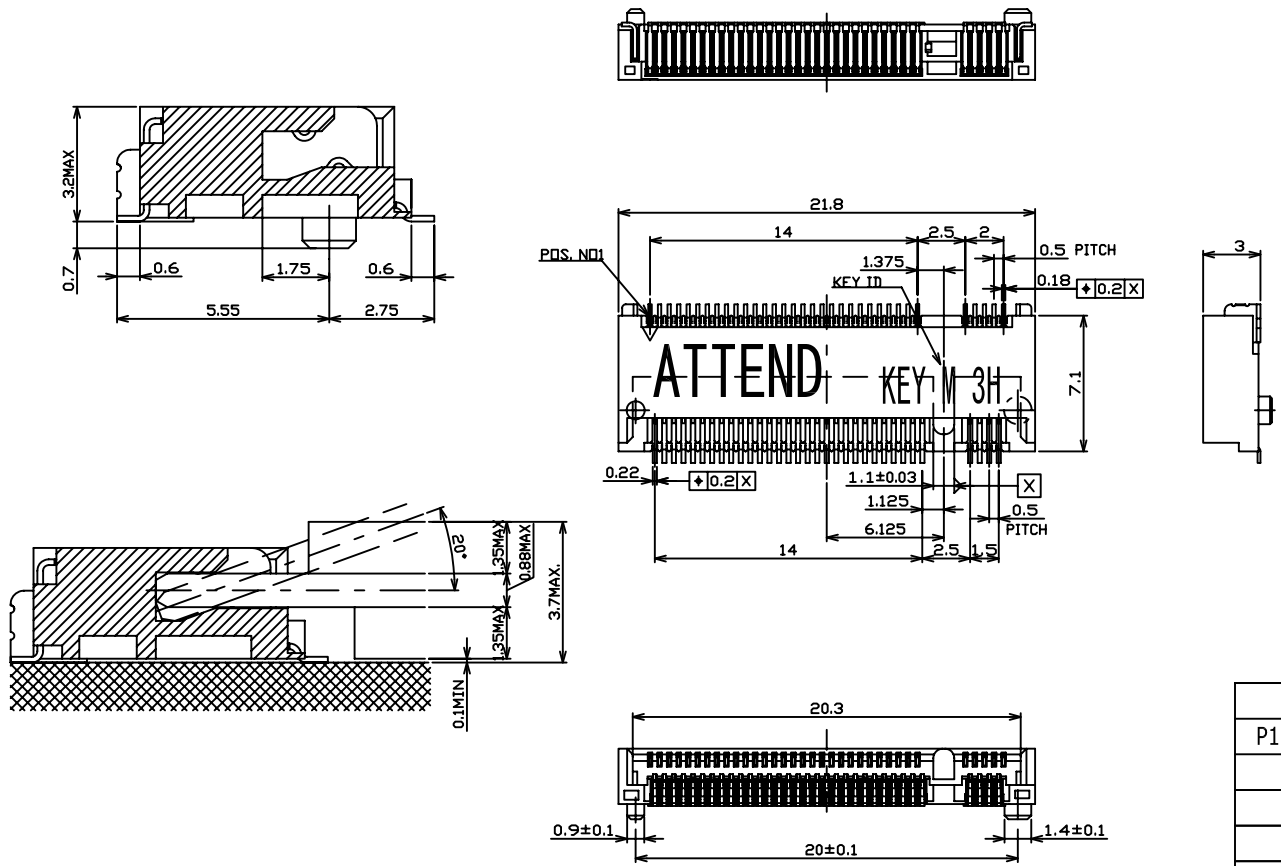



SWITCH CIRCUIT		MATERIAL AND FINISH AS BELOW							
WHEN CARD IS EJECTED	WHEN CARD IS INSERTED	A	Housing	LCP UL94V-0, Black	E				
		B	Contact	Phosphor Bronze C5210, Contact Area:Gold Flash Over Nickel	F				
		C	Holddown	Brass C2680, Tin Plated	G				
		D			H				

SPECIFICATION:

- 1. ELECTRICAL**
 - 1.1 Current Rating: 0.5A per pin
 - 1.2 Voltage Rating: 50V DC
 - 1.3 Contact Resistance: 55mΩ Max
 - 1.4 Insulation Resistance: 500MΩ Min
 - 1.5 Dielectric Withstanding Voltage: 300VAC
- 2. MECHANICAL**
 - 2.1 Durability: 200 Cycle
 - 2.2 Insertion Force: 20N max.
 - 2.3 Extraction Force: 25N max.
- 3. ENVIRONMENTAL**
 - 3.1 Operating temperature range: -40°C~+85°C
 - 3.2 Storage temperature range: -40°C~+85°C
- 4. SOLDER ABILITY**
 - 4.1 Recommended IR Reflow Temperature: 260°C 10Sec
 - 4.2 Recommended PCB Thickness: 1.0mm



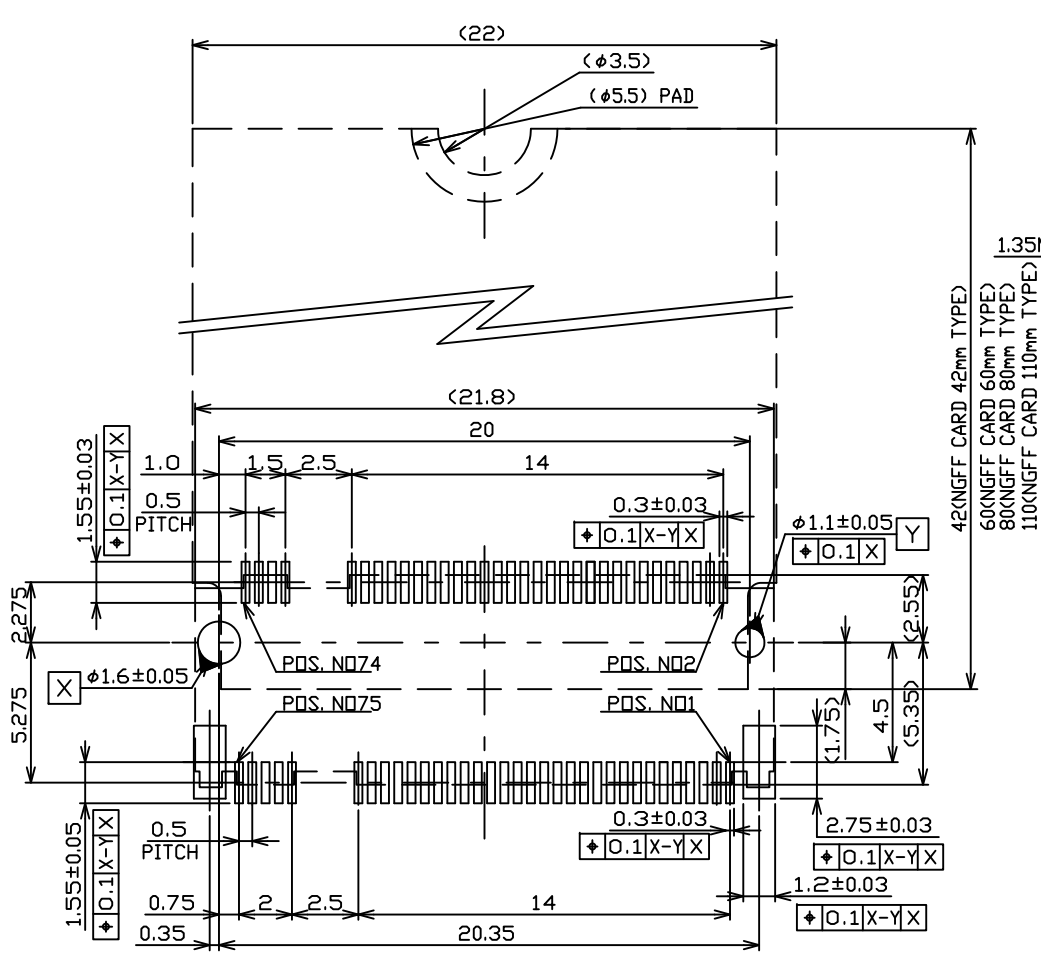
P1	P2	P3	P4	P5	P6	P7	P8	P9	P10	P11	P12
PIN ASSIGNMENT											
123A-32MA0-R01			M.2 Connector, Key M Type Pitch:0.50mm H:3.2mm, Contact Area:Gold Flash								
PRODUCT NO.			DESCRIPTION								

UNLESS OTHERWISE SPECIFIED TOLERANCE			DRAWN NAME:	
ANGLES	ANG.	±5°	 www.attend.com.tw	
LINEAR	0.	±0.3		
	0.0	±0.25		
	0.00	±0.20		
SCALE	AS SHOWN	UNIT: mm	DRAWN NAME: M.2 Connector Key M H:3.2mm	
DRAWN	Willis	2013/12/09	PRODUCT NO.	123A-32MA0-R01
CHECKED	Angel	2013/12/09	FILE NAME	123A-32MA0-R01_B_1
APPROVED	Ken	2013/12/09	REV.	1.0

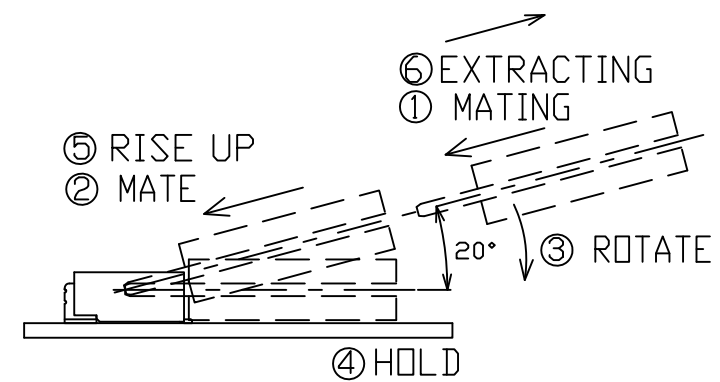
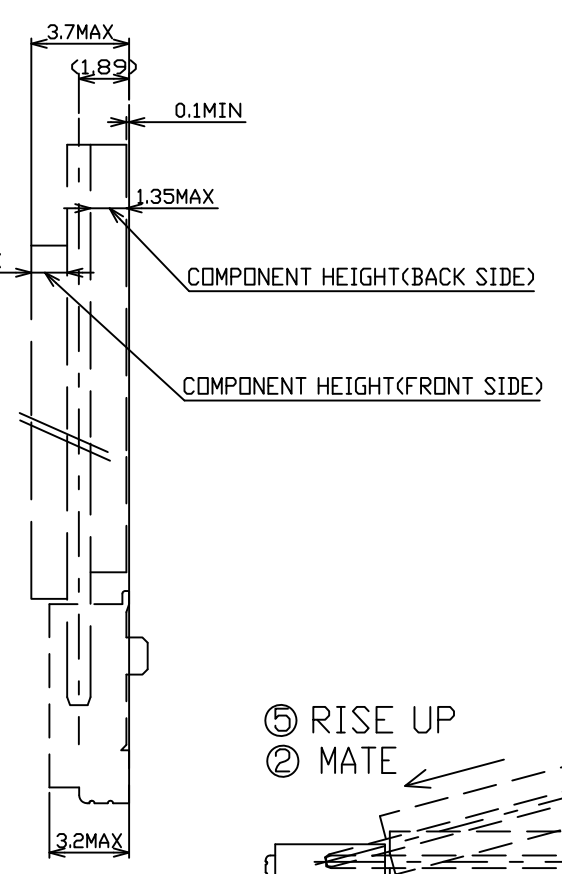
REV.	DESCRIPTION	DATE	REV.	DESCRIPTION	DATE	SIZE	A4	REV.	1.0
1									
2									
3									
4									
5									
6									
7									
8									
9									
10									

3
2
1

A




42(NGFF CARD 42mm TYPE)
 60(NGFF CARD 60mm TYPE)
 80(NGFF CARD 80mm TYPE)
 110(NGFF CARD 110mm TYPE)



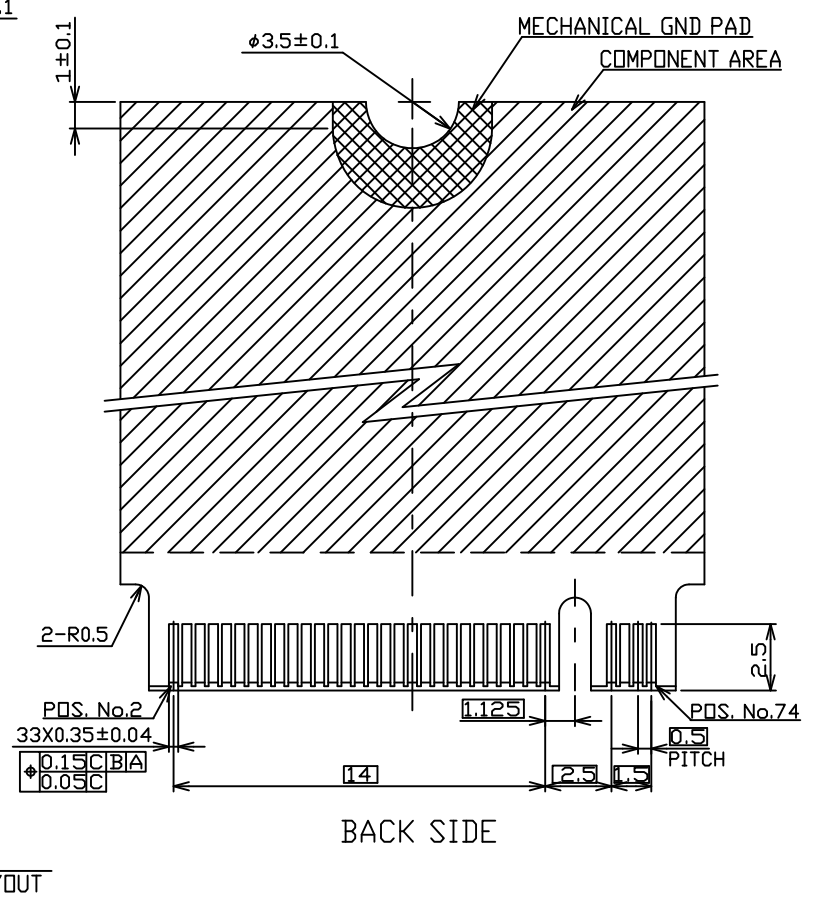
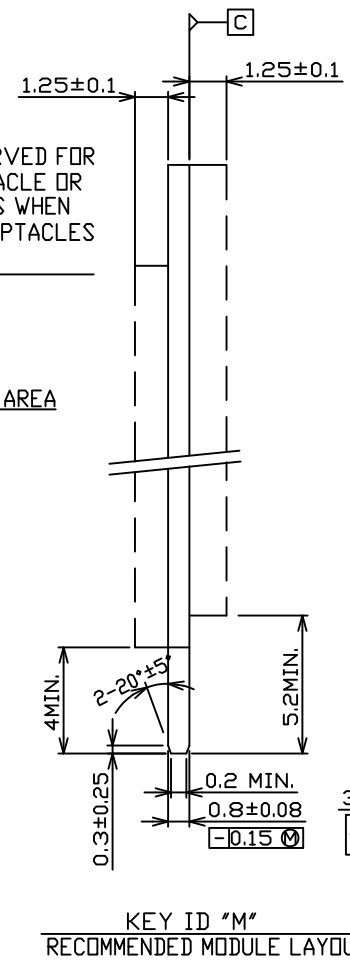
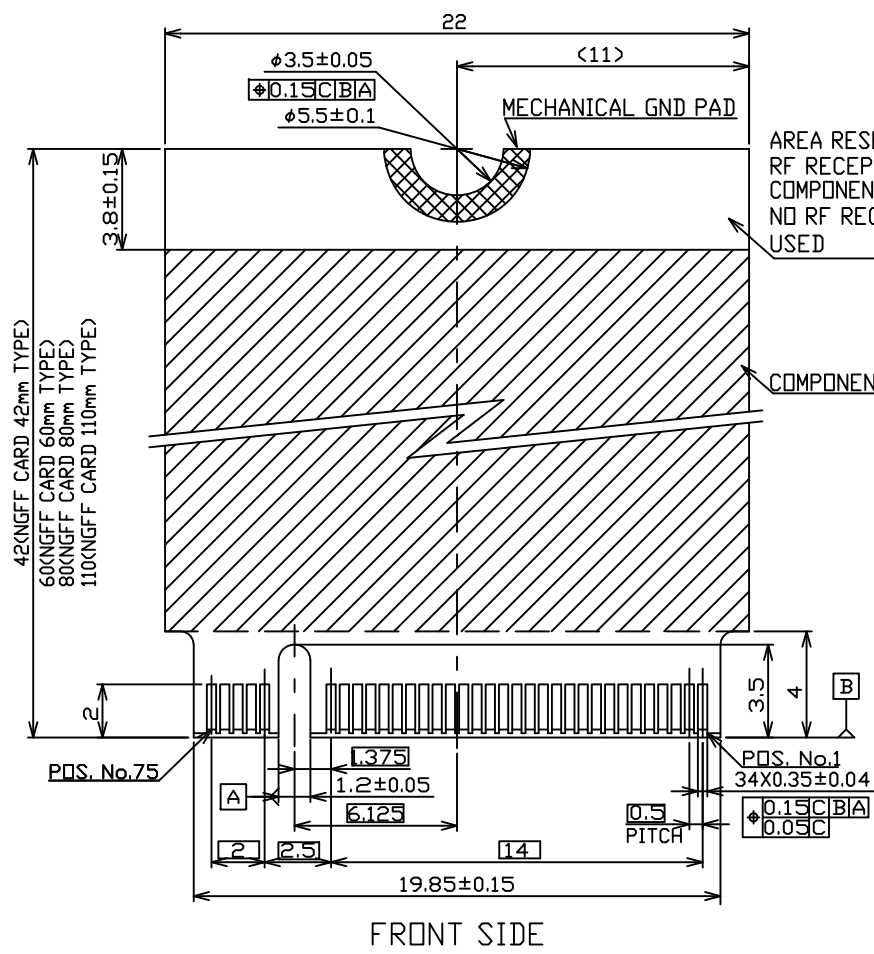
KEY ID "M"
 RECOMMENDED P.C.BOARD LAYOUT

REV.	DESCRIPTION	DATE	REV.	DESCRIPTION	DATE	SIZE	REV.	FILE NAME
1			1			A4	1.0	123A-32MA0-R01_B_1
2			2					
3			3					
4			4					
5			5					
6			6					
7			7					
8			8					
9			9					
10			10					

UNLESS OTHERWISE SPECIFIED TOLERANCE		
ANGLES	ANG.	±5°
LINEAR	0.	±0.3
	0.0	±0.25
	0.00	±0.20
SCALE	AS SHOWN	UNIT: mm
DRAWN	Willis	2013/12/09
CHECKED	Angel	2013/12/09
APPROVED	Ken	2013/12/09


ATTEND
www.attend.com.tw
 DRAWN NAME: M.2 Connector Key M H:3.2mm
 PRODUCT NO. 123A-32MA0-R01
 FILE NAME 123A-32MA0-R01_B_1

3	Revise:
3	Revise:
3	Revise:



KEY ID "M"
RECOMMENDED MODULE LAYOUT

UNLESS OTHERWISE SPECIFIED TOLERANCE		
ANGLES	ANG.	±5°
LINEAR	0.	±0.3
	0.0	±0.25
	0.00	±0.20
SCALE	AS SHOWN	UNIT: mm
DRAWN	Willis	2013/12/09
CHECKED	Angel	2013/12/09
APPROVED	Ken	2013/12/09
SIZE	A4	REV. 1.0

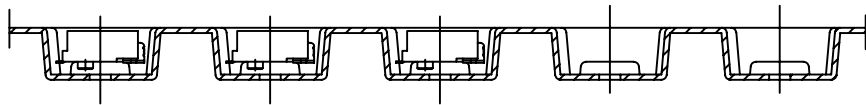
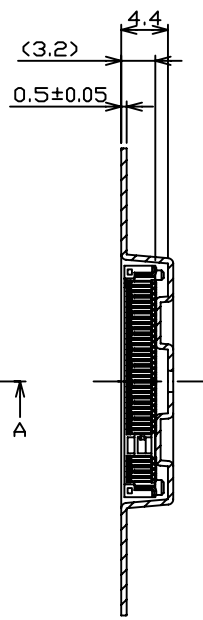
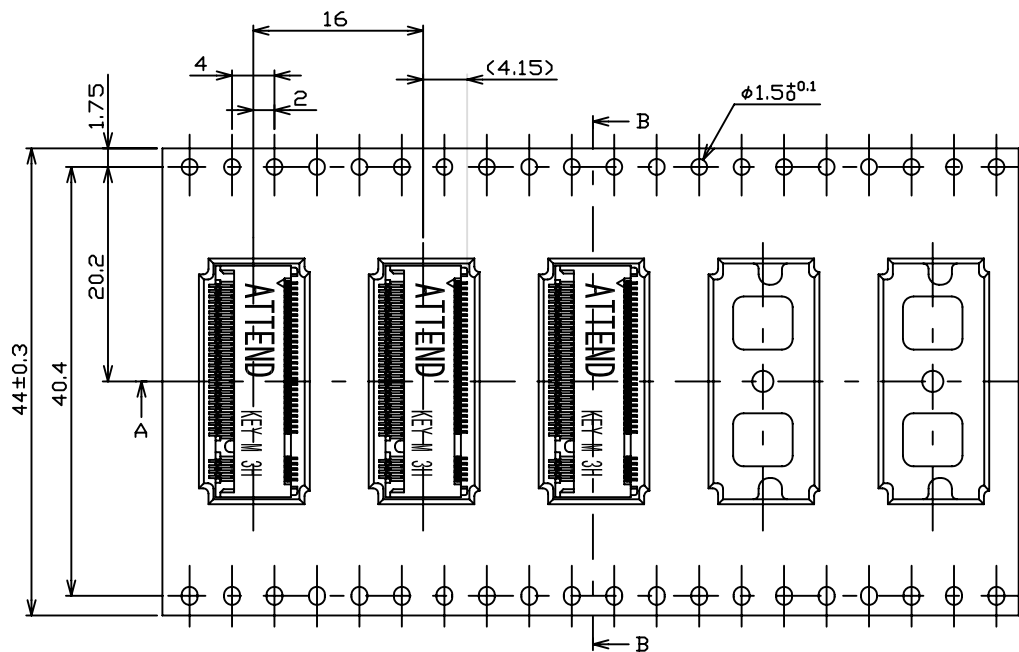
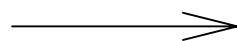


www.attend.com.tw	
DRAWN NAME: M.2 Connector Key M H:3.2mm	
PRODUCT NO.	123A-32MA0-R01
FILE NAME	123A-32MA0-R01_B_1

REV.	DESCRIPTION	DATE	REV.	DESCRIPTION	DATE
1					
2					
3					
4					
5					
6					
7					
8					
9					
10					

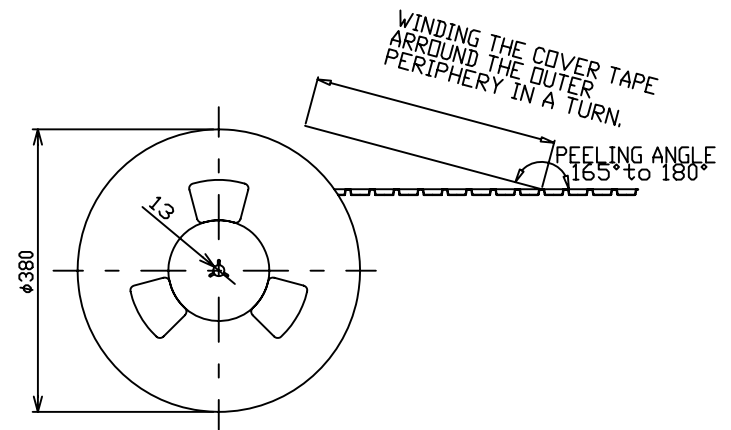
- 3 Revise:
- 2 Revise:
- 1 Revise:

DIRECTION OFF TOP OF REEL



NOTES:

1. THE DIRECTION OF EACH CONNECTOR ON A EMOSS IS REFERED TO THIS DRAWING.
2. GENERAL TOLERANCE : ± 0.5 , $\pm 3^\circ$
3. PACKAGED IN EMOSS TAPE AND PLASTIC REEL 1200 PCS PRE REEL.



REV.	DESCRIPTION	DATE	REV.	DESCRIPTION	DATE
1			2		
3			4		
5			6		

UNLESS OTHERWISE SPECIFIED TOLERANCE		
ANGLES	ANG.	$\pm 5^\circ$
LINEAR	0.	± 0.3
	0.0	± 0.25
	0.00	± 0.20
SCALE	AS SHOWN	UNIT: mm
DRAWN	Willis	2013/12/09
CHECKED	Angel	2013/12/09
APPROVED	Ken	2013/12/09
SIZE	A4	REV. 1.0



www.attend.com.tw	
DRAWN NAME: M.2 Connector Key M H:3.2mm	
PRODUCT NO.	123A-32MA0-R01
FILE NAME	123A-32MA0-R01_D_1

A

A