

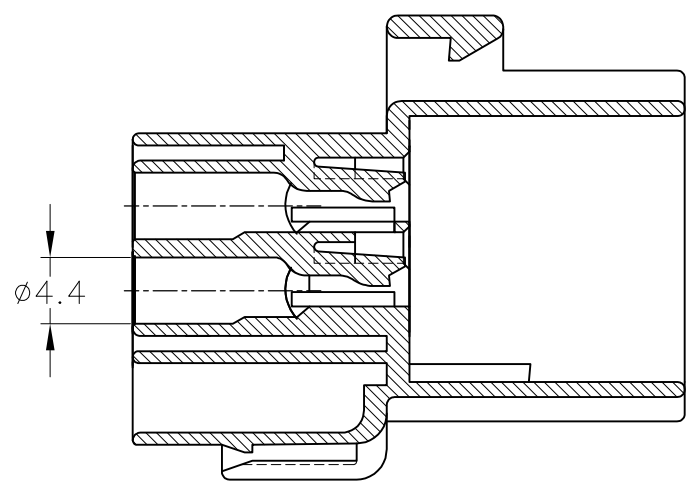
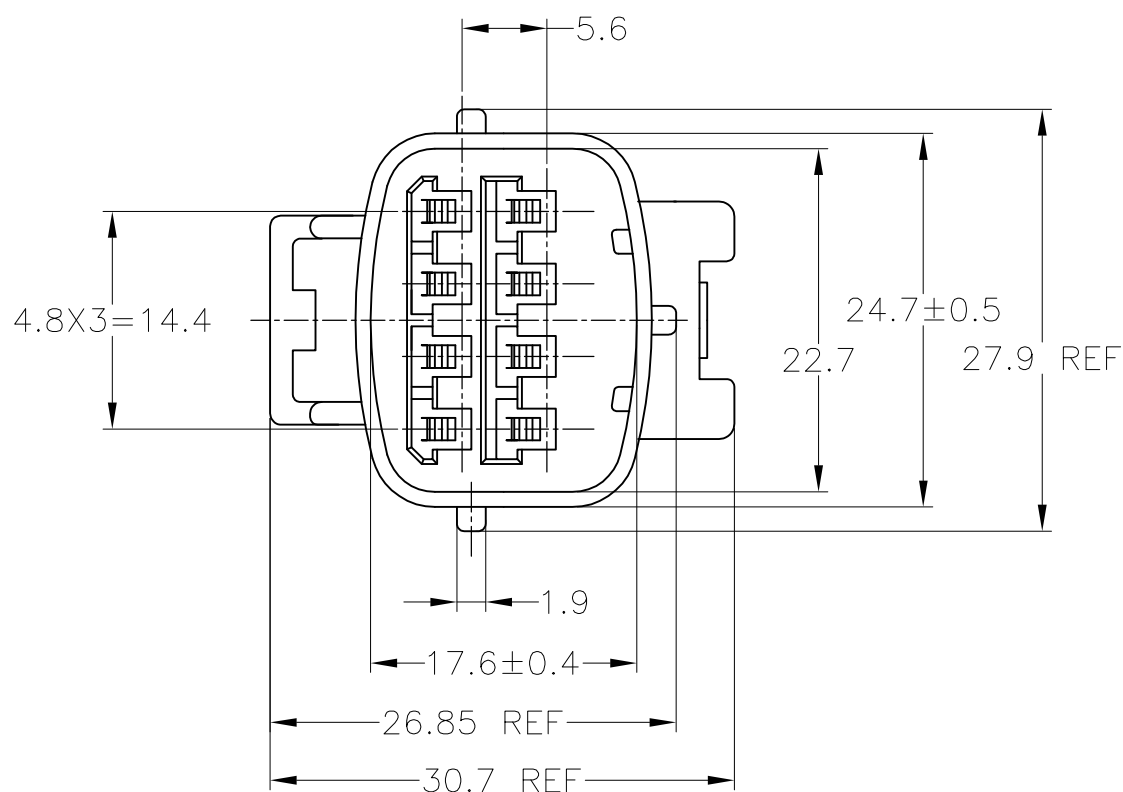
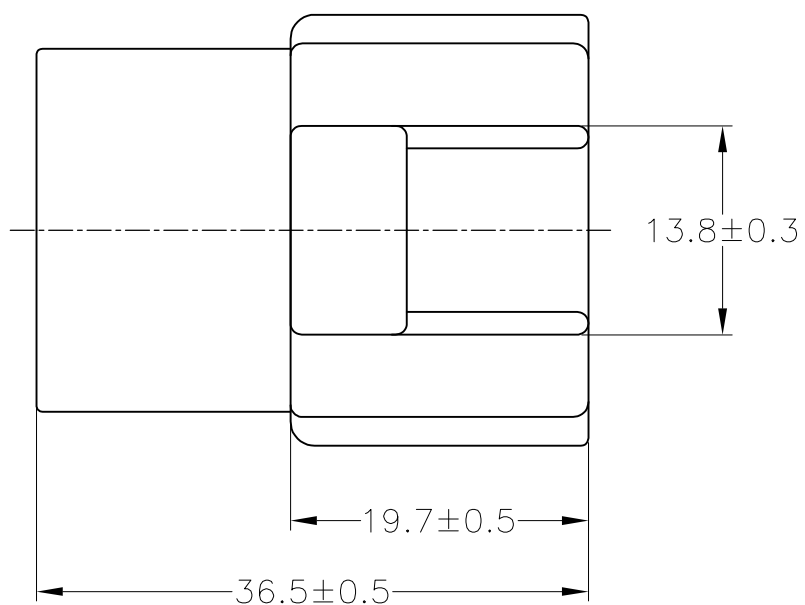
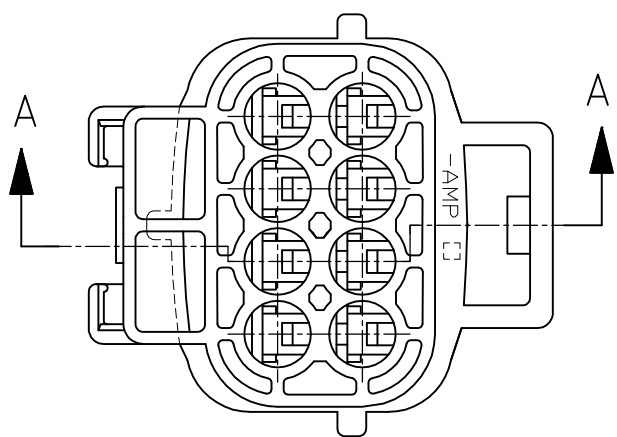
THIS DRAWING IS UNPUBLISHED.

RELEASED FOR PUBLICATION

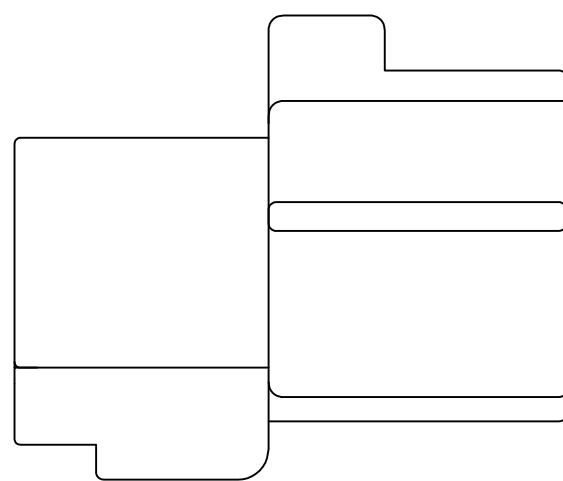
ALL RIGHTS RESERVED.

© COPYRIGHT 2003 By -

LOC	DIST	REVISIONS					
J	-	P	LTR	DESCRIPTION	DATE	DWN	APVD
			A2	REVISED PER ECO-11-005140	28MAR11	RK	HMR



A-A



- 1. 嵌合相手型番 : 174982
- 2. 本品はダブルロックプレートPN 174985を装着して使用する。

- 1. FOR PLUG HOUSING (PN 174982)
- 2. THIS PART MUST BE USED WITH DOUBLE LOCK PLATE (PN 174985)

BLACK	174984-2
GRAY	174984-1
COLOR	PART NUMBER

TOLERANCE UNLESS OTHERWISE SPECIFIED: 一般公差

0 < x ≤ 10	: ±0.2
10 < x ≤ 30	: ±0.25
30 < x ≤ 100	: ±0.3
ANGLE ; 角度	: ±3°

THIS DRAWING IS A CONTROLLED DOCUMENT.

DIMENSIONS: 単位: 耗 mm	TOLERANCES UNLESS OTHERWISE SPECIFIED: 一般公差
	0 PLC ± -
	1 PLC ± -
	2 PLC ± -
	3 PLC ± -
	4 PLC ± -
	ANGLES ± -
MATERIAL 材料 PBT	FINISH 仕上
	COLOR: SEE TABLE

DWN A. YAMAGUCHI 04APR03	<b>STE</b> TE Connectivity		RESTRICTED TO	
CHK K. BETSUI 04APR03				
APVD K. BETSUI 04APR03	NAME 名称 8POSITION ECONOSEAL J-MARK II+ CONNECTOR CAP HOUSING			
PRODUCT SPEC 製品規格 108-5262	SIZE A3	CAGE CODE 00779	DRAWING NO 番号 C-174984	
APPLICATION SPEC 取付適用規格	SCALE 尺度 2:1		SHEET 1 OF 1	REV A2
WEIGHT -	CUSTOMER DRAWING			