

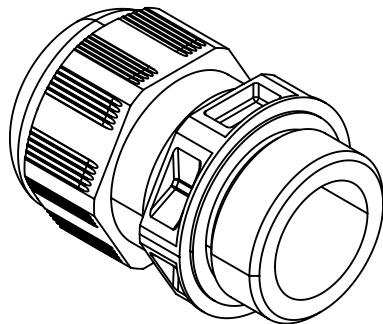
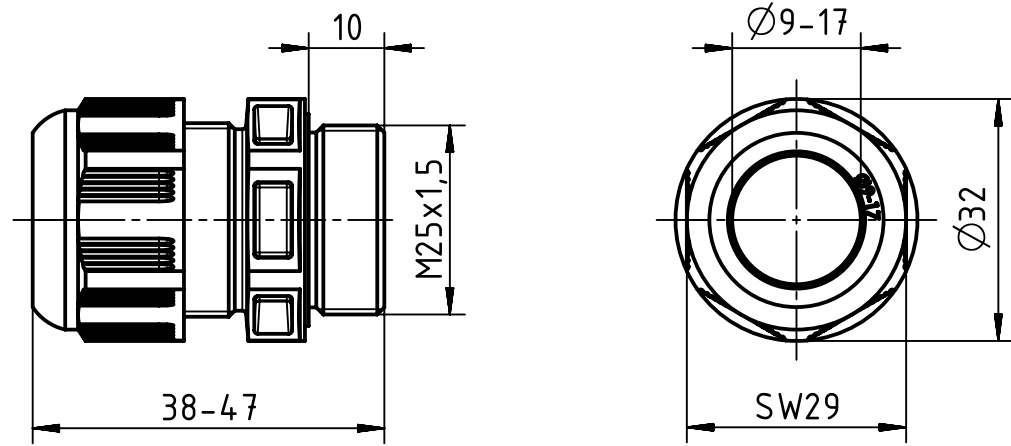
1 2 3 4 5 6


A

B

C

D



	All Dimensions in mm Original Size DIN A4		Scale 1:1	Free size tol.		Ref.		
	All rights reserved Department EL PD - DE		Created by HOLLERT	Inspected by GRIEPENSTROH	Standardisation RUETERA	Date 2017-03-29	State Final Release	
HARTING Electric GmbH & Co. KG D-32339 Espelkamp			Title Han-Eco Cable gland M25			Doc-Key / ECM-Nr. 100601733/UGD/003/A 500000116853		
			Type TB	Number 19 41 000 5121			Rev. A	Page 1/1