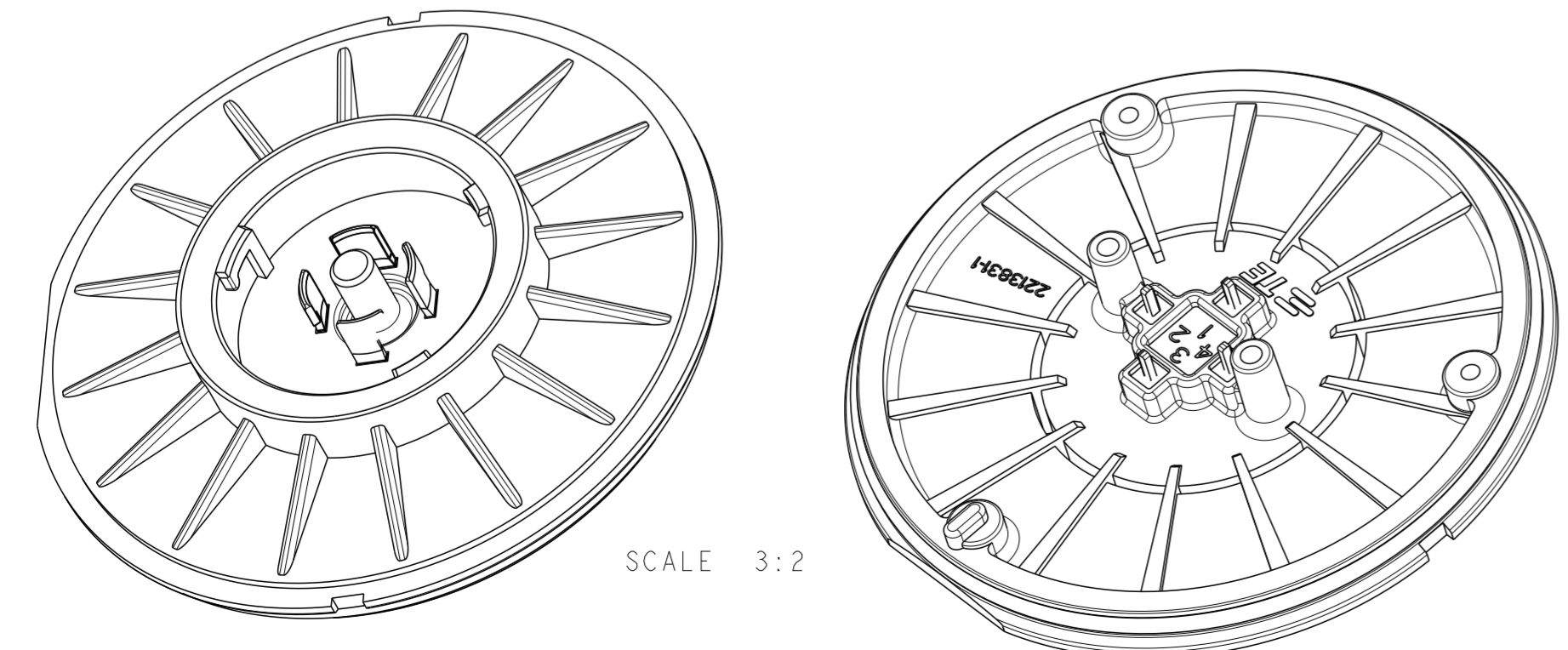
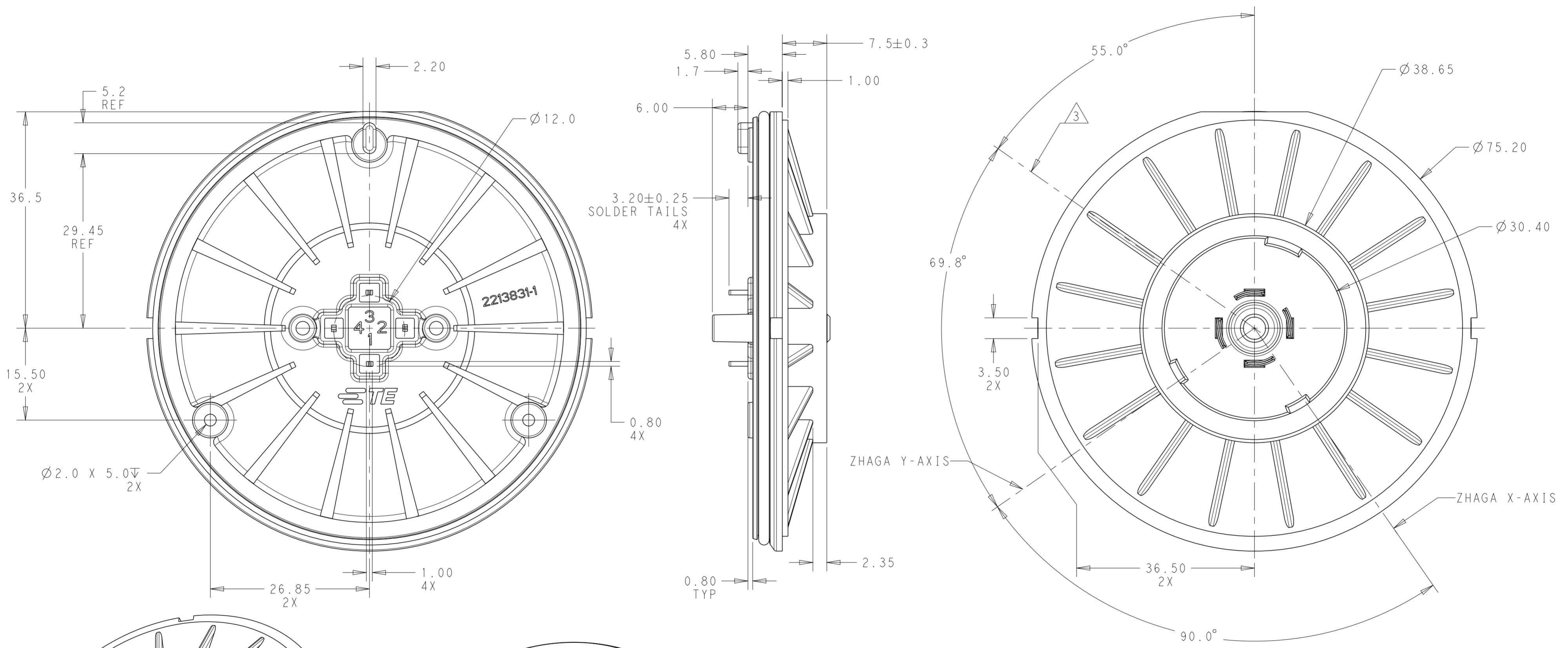


THIS DRAWING IS UNPUBLISHED. RELEASED FOR PUBLICATION 20  
 © COPYRIGHT 20 BY - ALL RIGHTS RESERVED.

- NOTES:
- 1 MATERIALS AND FINISH:  
 -MODULE HOUSING: PBT, COLOR: GREY  
 -CONTACTS: BRASS, FINISH: Sn  
 -O-RING: SILICON RUBBER
  2. MUST COMPLY WITH DIRECTIVE 2002/95/EC (ROHS)
  - 3 LOCATION OF FLAT ON RECEPTACLE (TE P/N 2213858-1)  
 THREAD SECTION IN FULL MATED POSITION
  4. COMPATIBLE DOME IS 2328823-X.

REVISIONS				
P	LTR	DESCRIPTION	DATE	APVD
A		REVISED PER ECR-18-017023	05NOV2018	SR DD
A1		REVISED PER ECR-18-017999	22NOV2018	SR DD
A2		REVISED PER ECR-19-017457	12NOV2019	SB DD

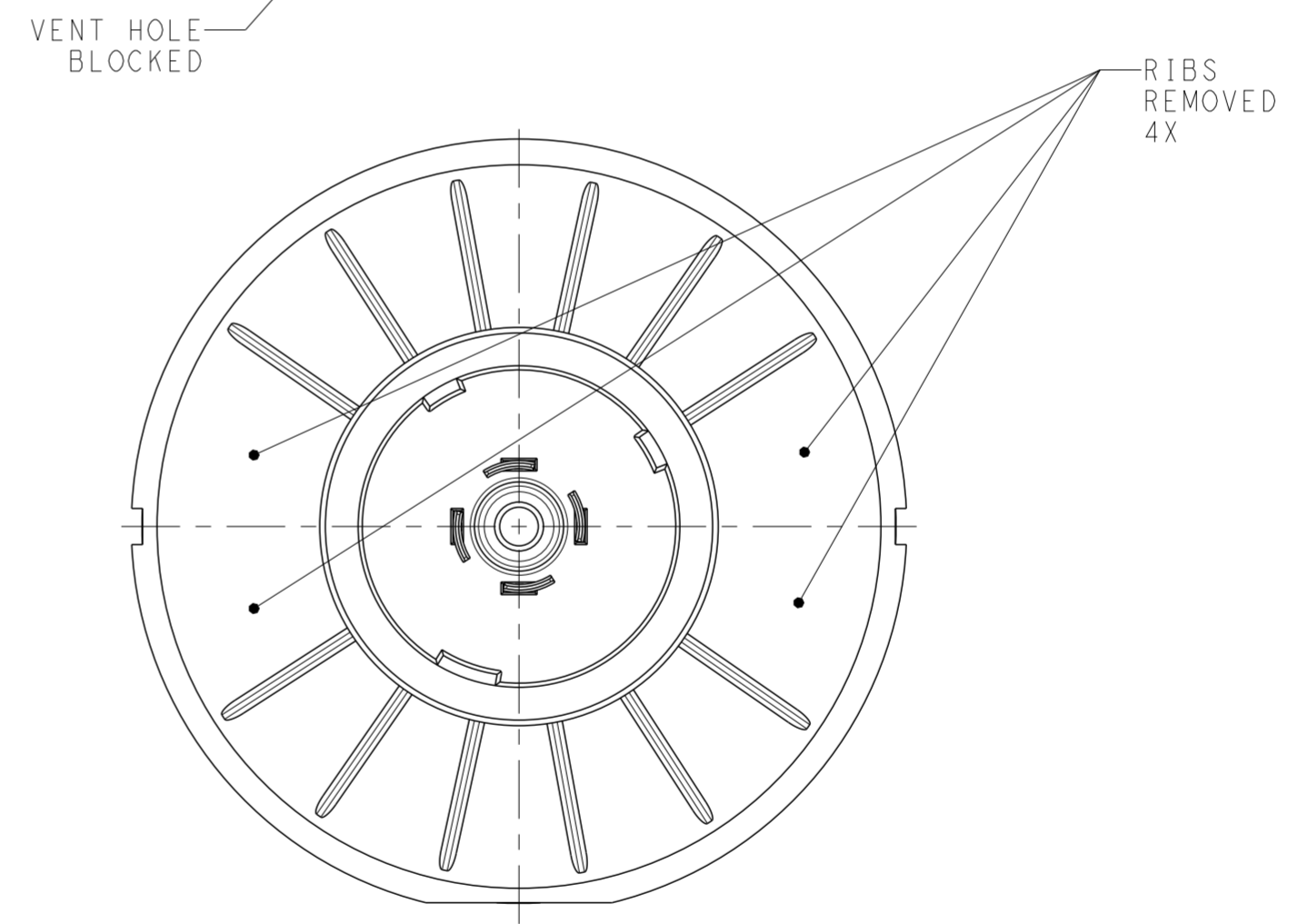
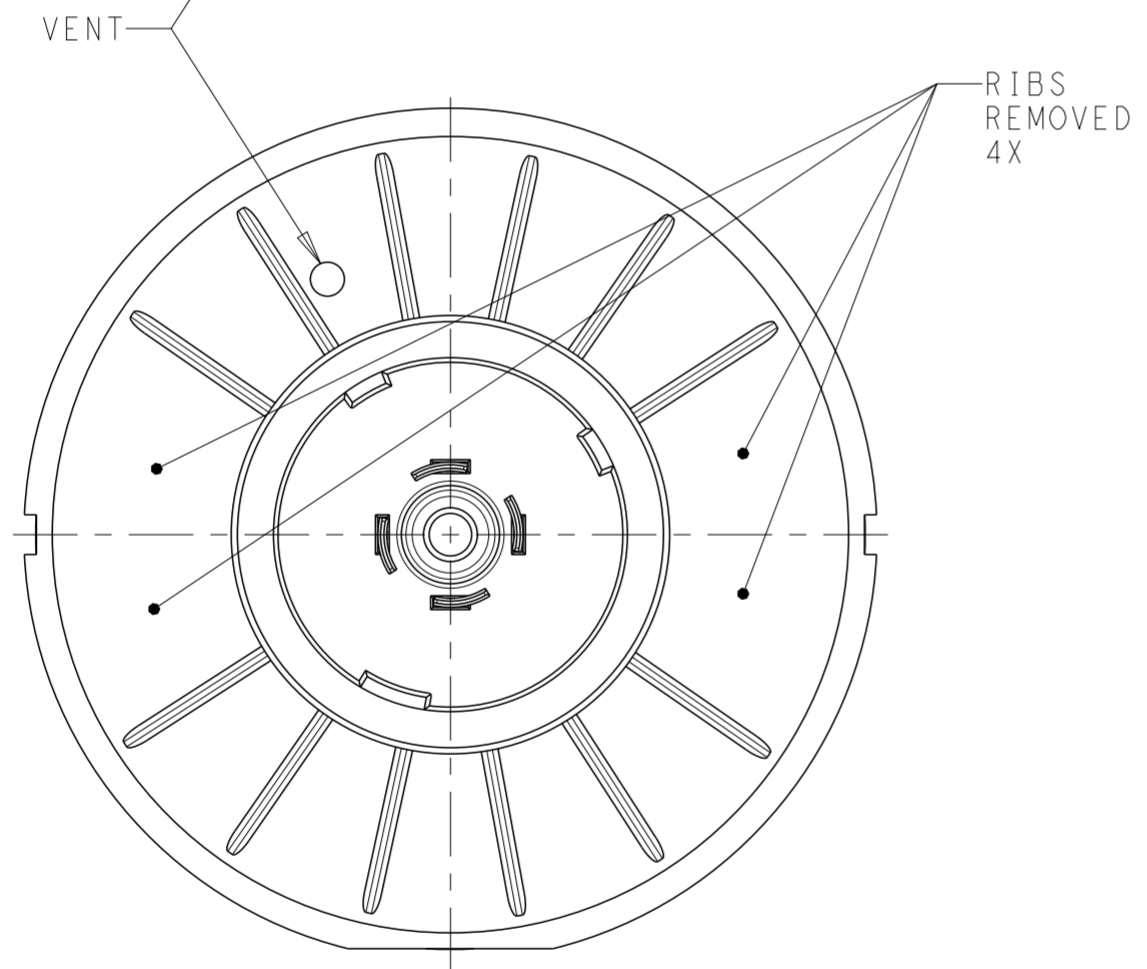
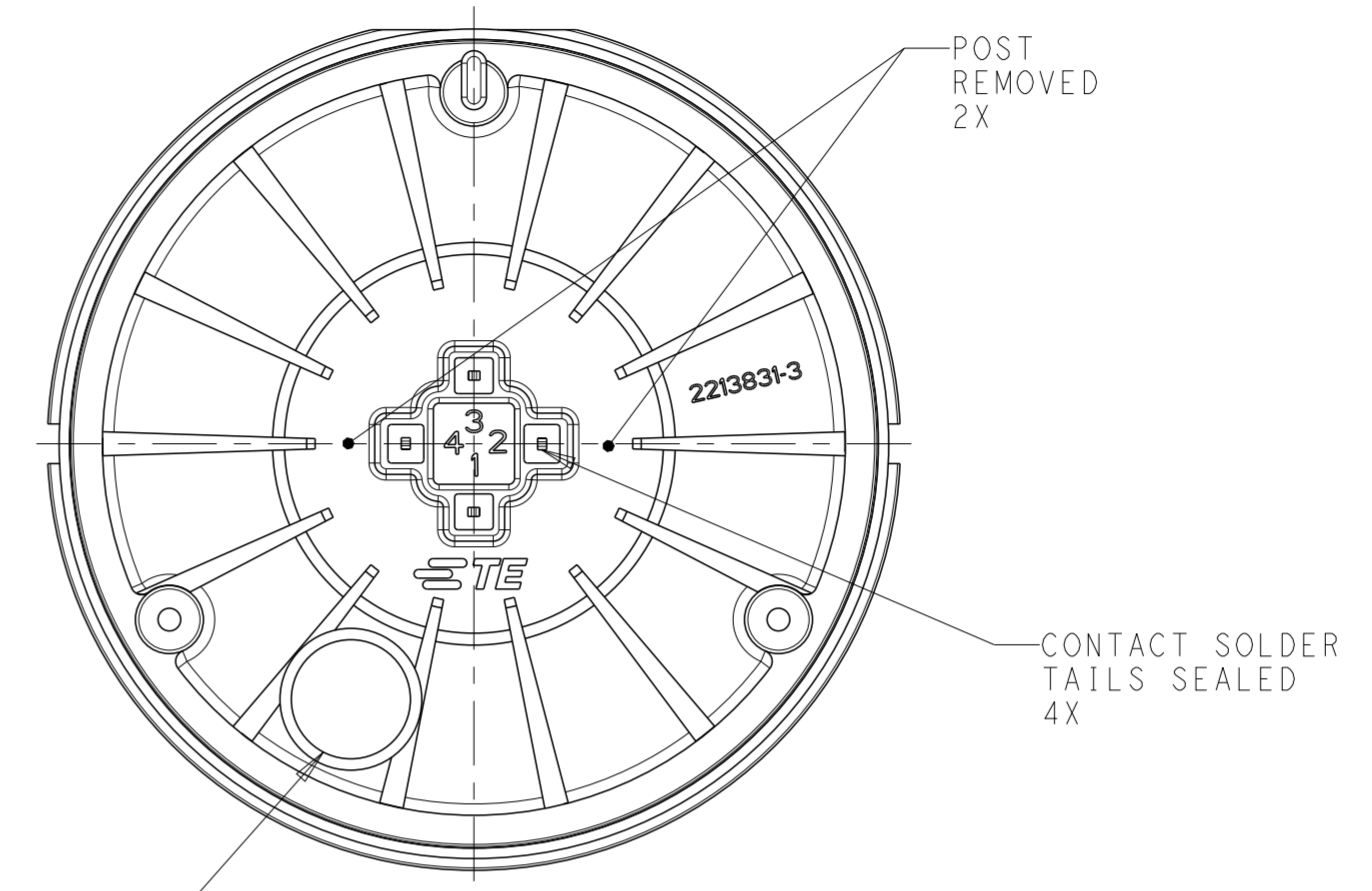
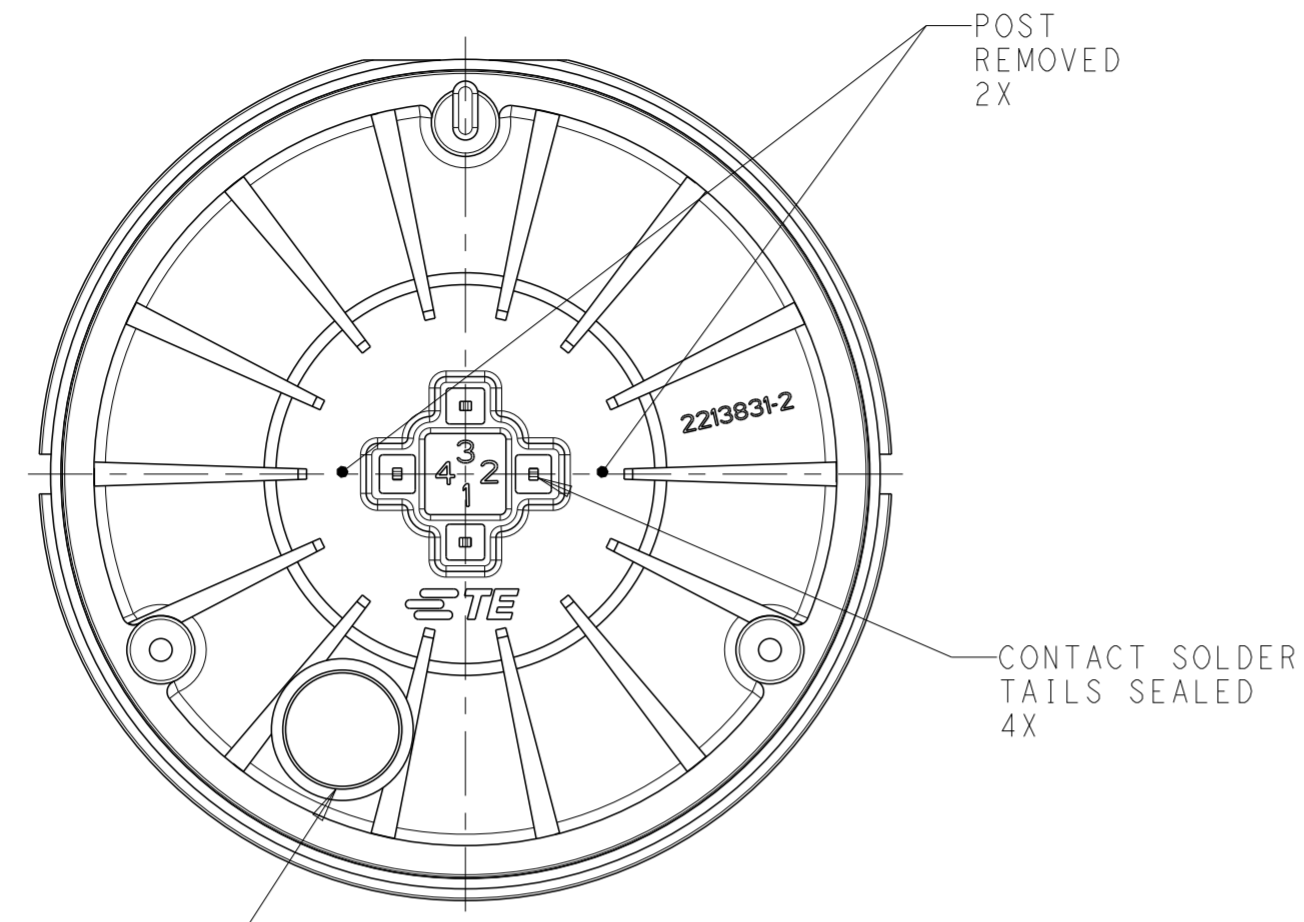


-	2213831-3
-	2213831-2
-	2213831-1
NOTES	PART NO.

THIS DRAWING IS A CONTROLLED DOCUMENT.		DWN C. DAILY 05APR2016	TE Connectivity	
		CHK E. HOWARD 05APR2016		
DIMENSIONS:	TOLERANCES UNLESS OTHERWISE SPECIFIED:	APVD	NAME	
mm	0 PLC ± 1 PLC ±0.2 2 PLC ±0.15 3 PLC ± 4 PLC ±	PRODUCT SPEC	MODULE BASE ASSEMBLY, LUMAWISE ENDURANCE S 80mm DIAMETER	
	ANGLES ±1	APPLICATION SPEC	SIZE	CAGE CODE
MATERIAL	FINISH	WEIGHT	A2	-
SEE NOTES		CUSTOMER DRAWING	DRAWING NO	RESTRICTED TO
			G-2213831	-
			SCALE 2:1	SHEET 1 OF 3
				REV A2

THIS DRAWING IS UNPUBLISHED. RELEASED FOR PUBLICATION 20  
 © COPYRIGHT 20 BY - ALL RIGHTS RESERVED.

REVISIONS				
P	LTR	DESCRIPTION	DATE	APVD
-		SEE SHEET 1	-	-



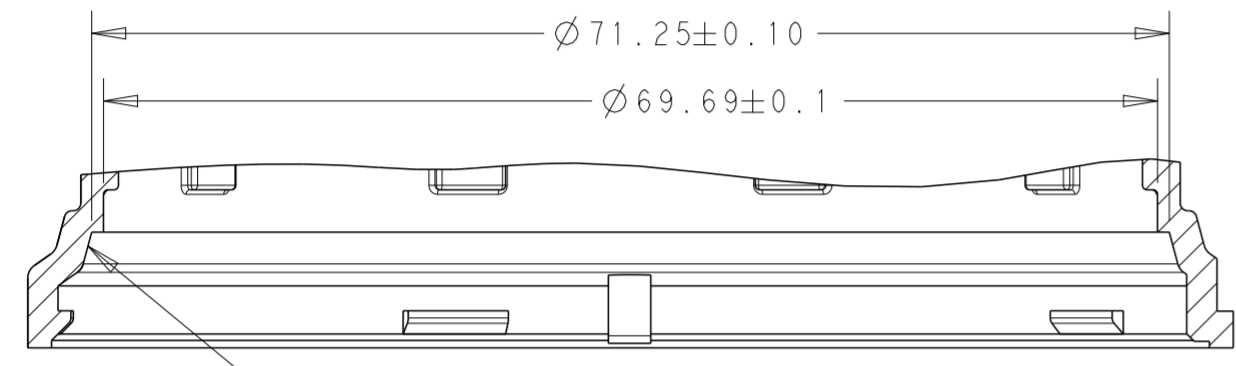
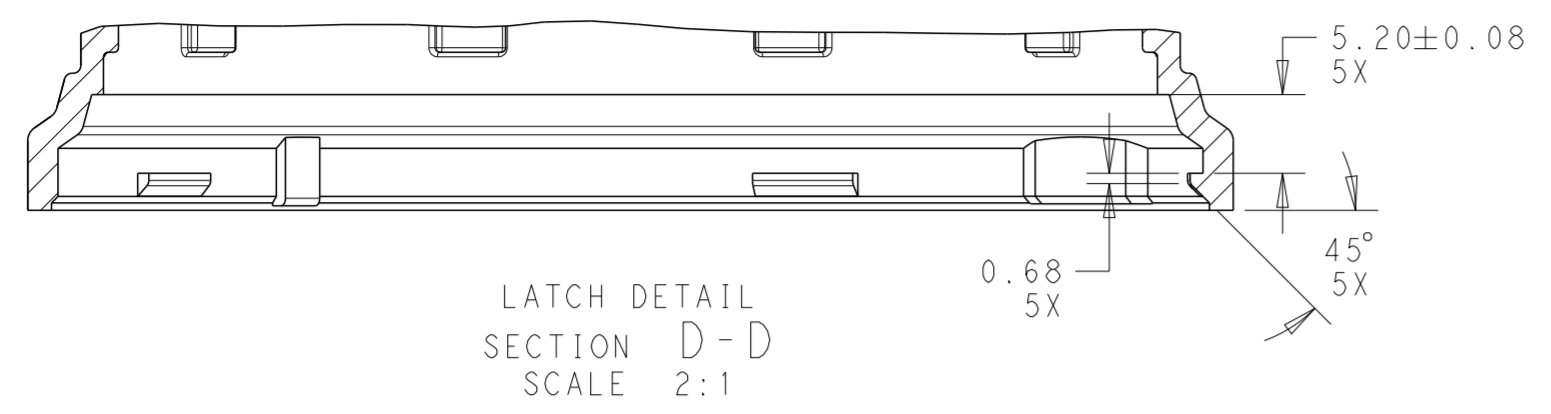
2213831-2 SHOWN  
 SAME AS  
 2213831-1 EXCEPT AS SHOWN

2213831-3 SHOWN  
 SAME AS  
 2213831-1 EXCEPT AS SHOWN

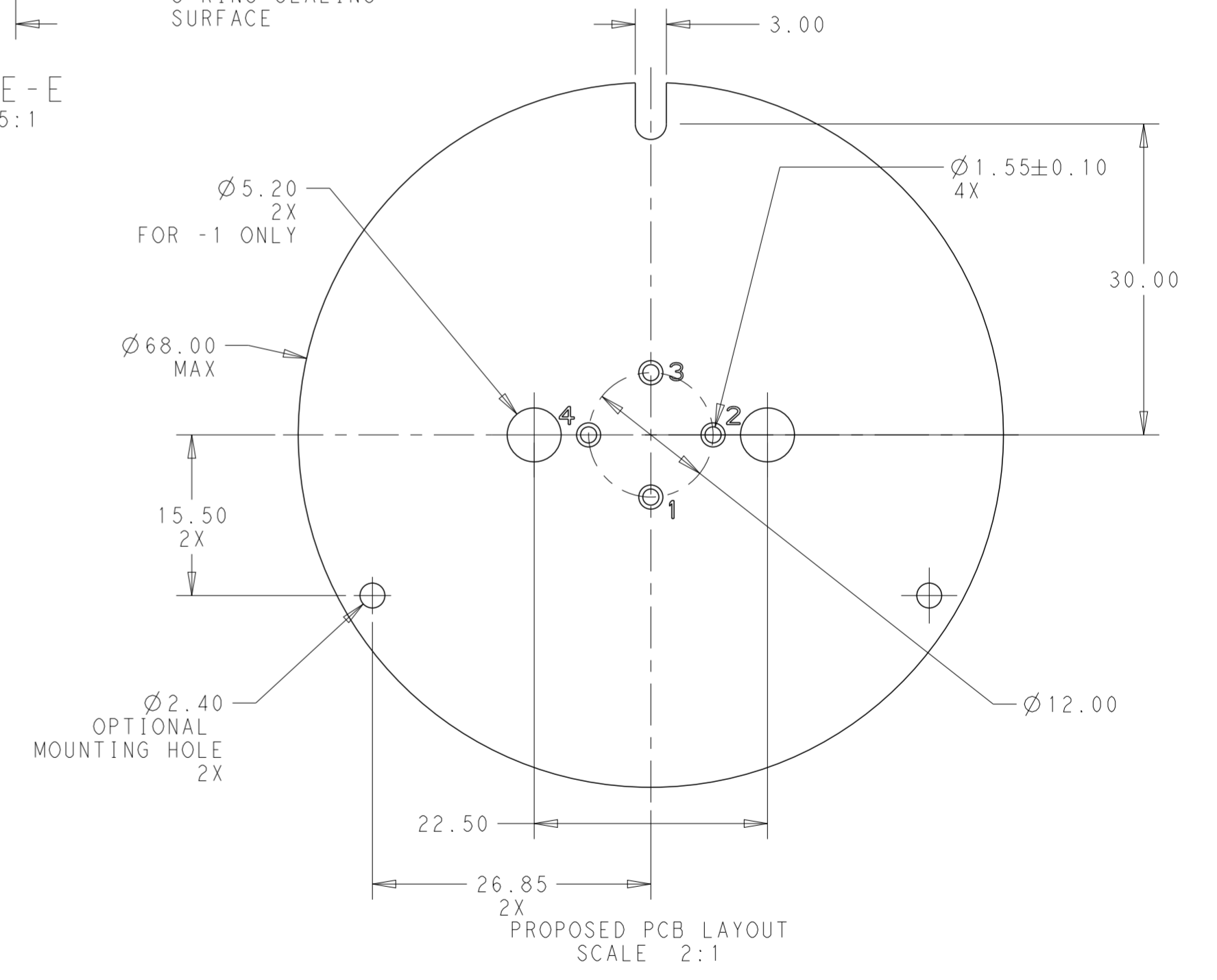
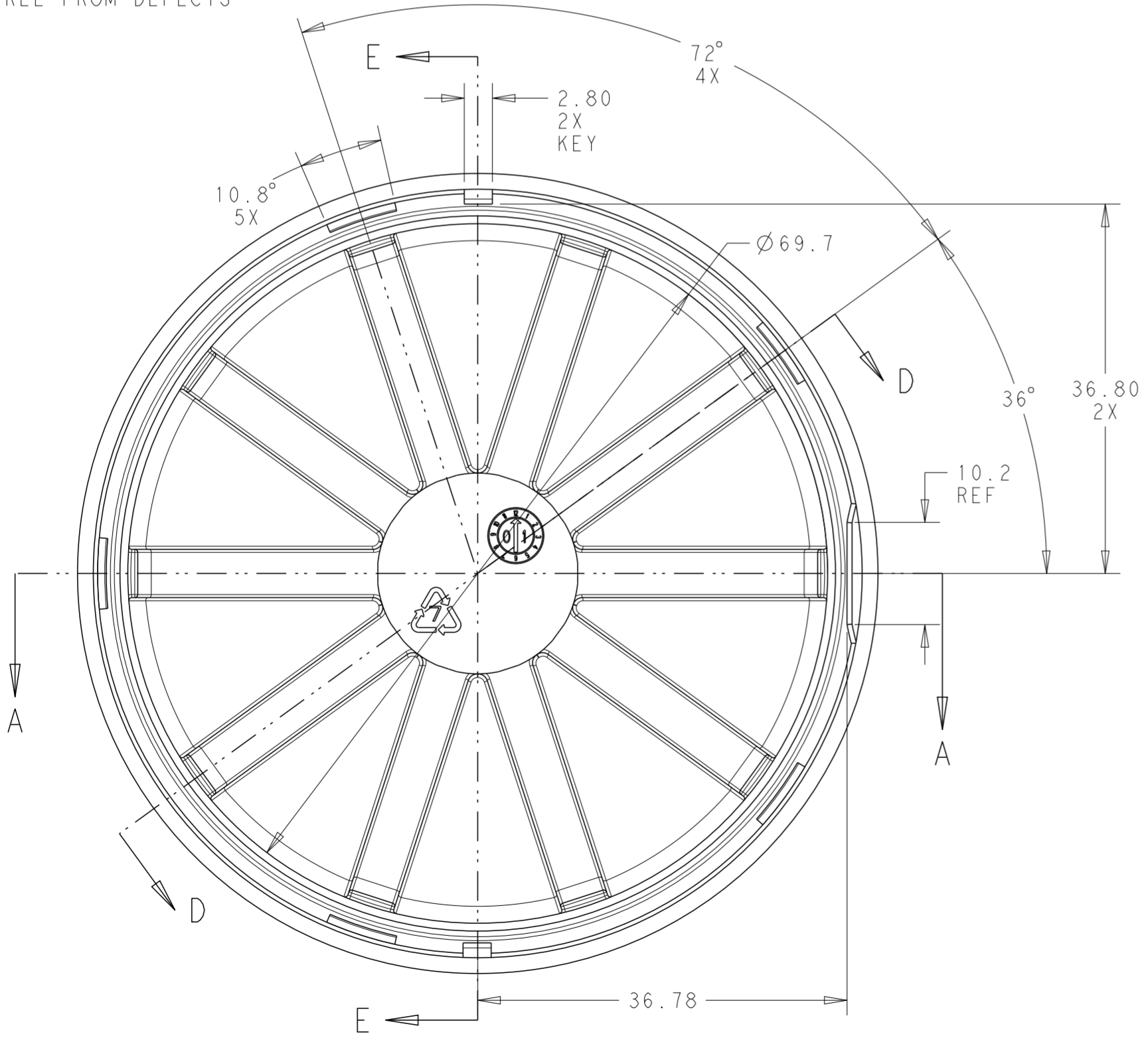
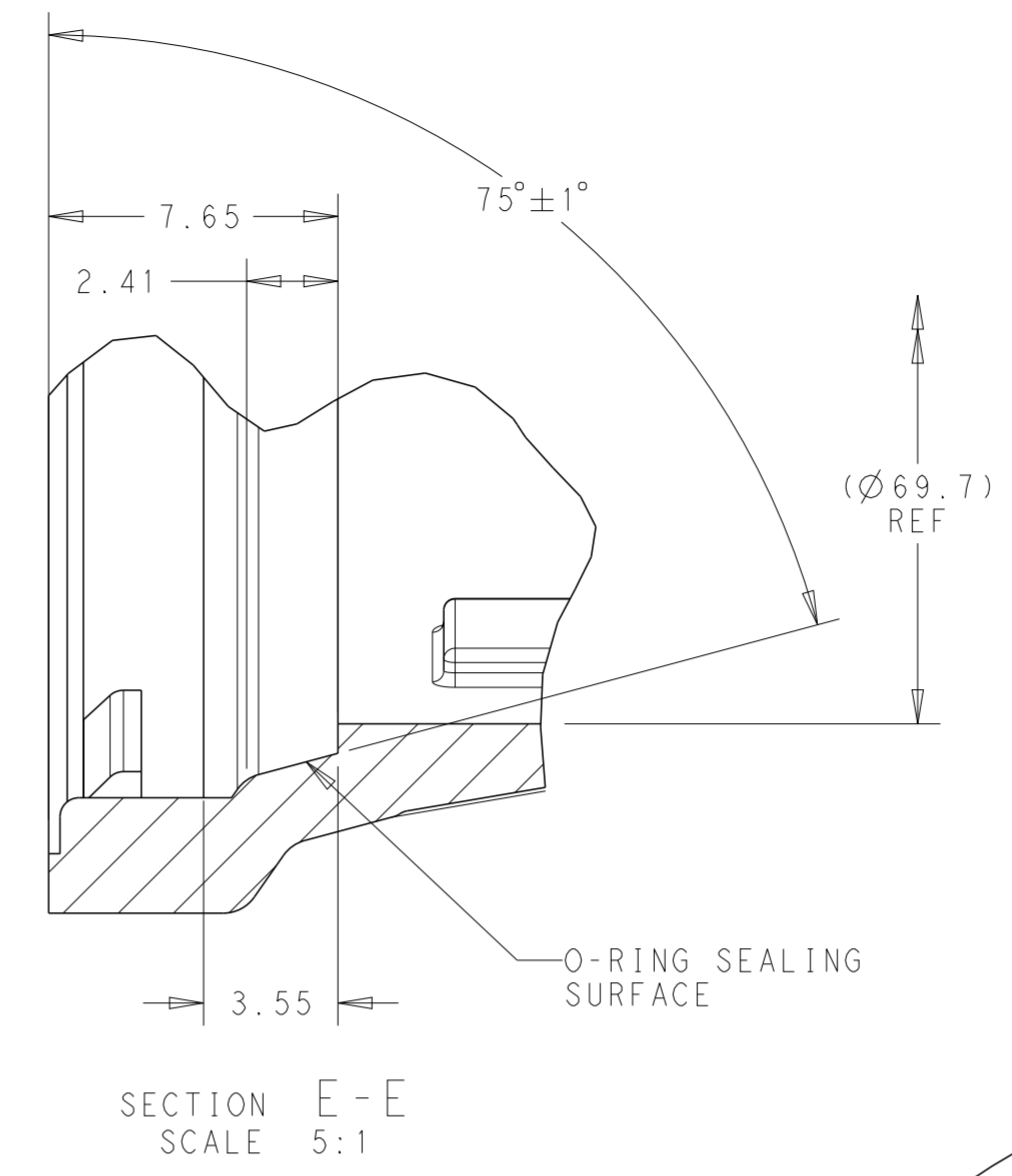
THIS DRAWING IS A CONTROLLED DOCUMENT.		DWN C. DAILY 05APR2016	<b>STE</b> TE Connectivity															
		CHK E. HOWARD 05APR2016																
DIMENSIONS: mm		TOLERANCES UNLESS OTHERWISE SPECIFIED:		APVD -														
<table border="0"> <tr><td>0 PLC</td><td>±</td></tr> <tr><td>1 PLC</td><td>±0.2</td></tr> <tr><td>2 PLC</td><td>±0.15</td></tr> <tr><td>3 PLC</td><td>±</td></tr> <tr><td>4 PLC</td><td>±</td></tr> <tr><td>ANGLES</td><td>±1</td></tr> <tr><td>FINISH</td><td>-</td></tr> </table>		0 PLC	±	1 PLC	±0.2	2 PLC	±0.15	3 PLC	±	4 PLC	±	ANGLES	±1	FINISH	-	PRODUCT SPEC 108-133073	NAME MODULE BASE ASSEMBLY, LUMAWISE ENDURANCE S 80mm DIAMETER	
0 PLC	±																	
1 PLC	±0.2																	
2 PLC	±0.15																	
3 PLC	±																	
4 PLC	±																	
ANGLES	±1																	
FINISH	-																	
MATERIAL - SEE NOTES		APPLICATION SPEC 114-133074	SIZE A2	CAGE CODE -														
		WEIGHT -	DRAWING NO G-2213831	RESTRICTED TO -														
		CUSTOMER DRAWING	SCALE 2:1	SHEET 2 OF 3														
			REV A2															

THIS DRAWING IS UNPUBLISHED. RELEASED FOR PUBLICATION 20  
 © COPYRIGHT 20 BY - ALL RIGHTS RESERVED.

REVISIONS				
P	LTR	DESCRIPTION	DATE	APVD
-	-	SEE SHEET 1	-	-



O-RING SEALING SURFACE;  
MUST BE SMOOTH AND  
FREE FROM DEFECTS



THIS DRAWING IS A CONTROLLED DOCUMENT.		DWN C. DAILY 05APR2016	TE Connectivity	
		CHK E. HOWARD 05APR2016		
DIMENSIONS: mm	TOLERANCES UNLESS OTHERWISE SPECIFIED:	APVD -	NAME MODULE BASE ASSEMBLY, LUMAWISE ENDURANCE S 80mm DIAMETER	
	0 PLC ±	PRODUCT SPEC 108-133073	SIZE A2	CAGE CODE -
	1 PLC ±0.2	APPLICATION SPEC 114-133074	DRAWING NO C-2213831	RESTRICTED TO -
MATERIAL -	2 PLC ±0.15	WEIGHT -	SCALE 2:1	SHEET 3 OF 3
SEE NOTES	3 PLC ±	CUSTOMER DRAWING	REV A2	
	4 PLC ±			
	ANGLES ±1			
	FINISH -			