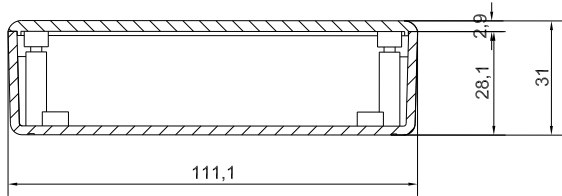
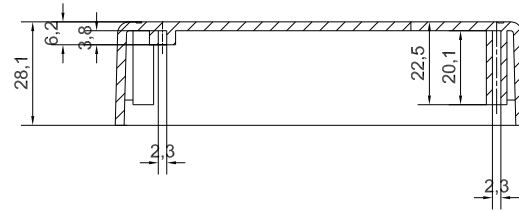


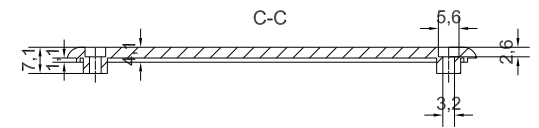
A-A



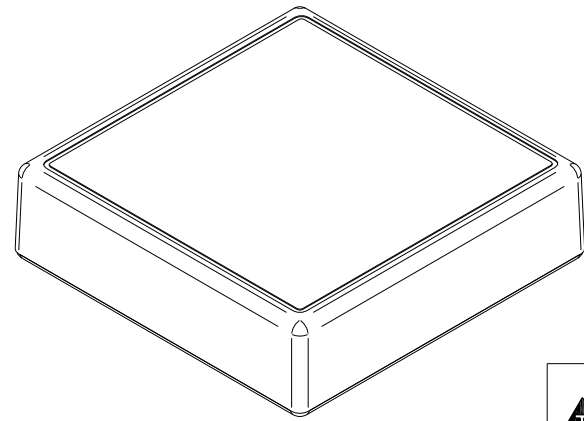
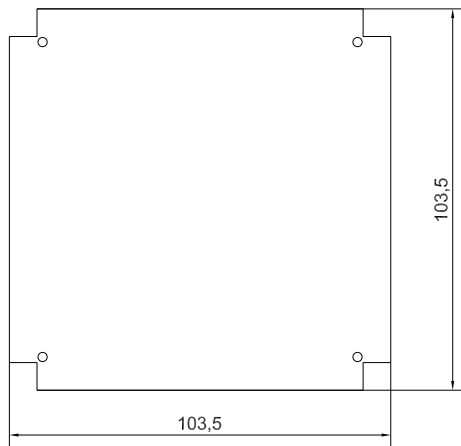
B-B



C-C



**MAXIMUM PCB SIZE**



	Denomination	Assembly SR120		Part. Number	SR120
	Subject to technical modification without prior notice. Tipographical and other errors do not justify any claim for damages. All dimensions should be verified using an actual moulded part.				
	Rev. Index			Scale	1:1
	This document contains proprietary information of TEKO S.p.a. and is tendered subject to the conditions that the information be retained in confidence not be reproduced or copied and not be used or incorporated in any product.				Date 05/04/2005