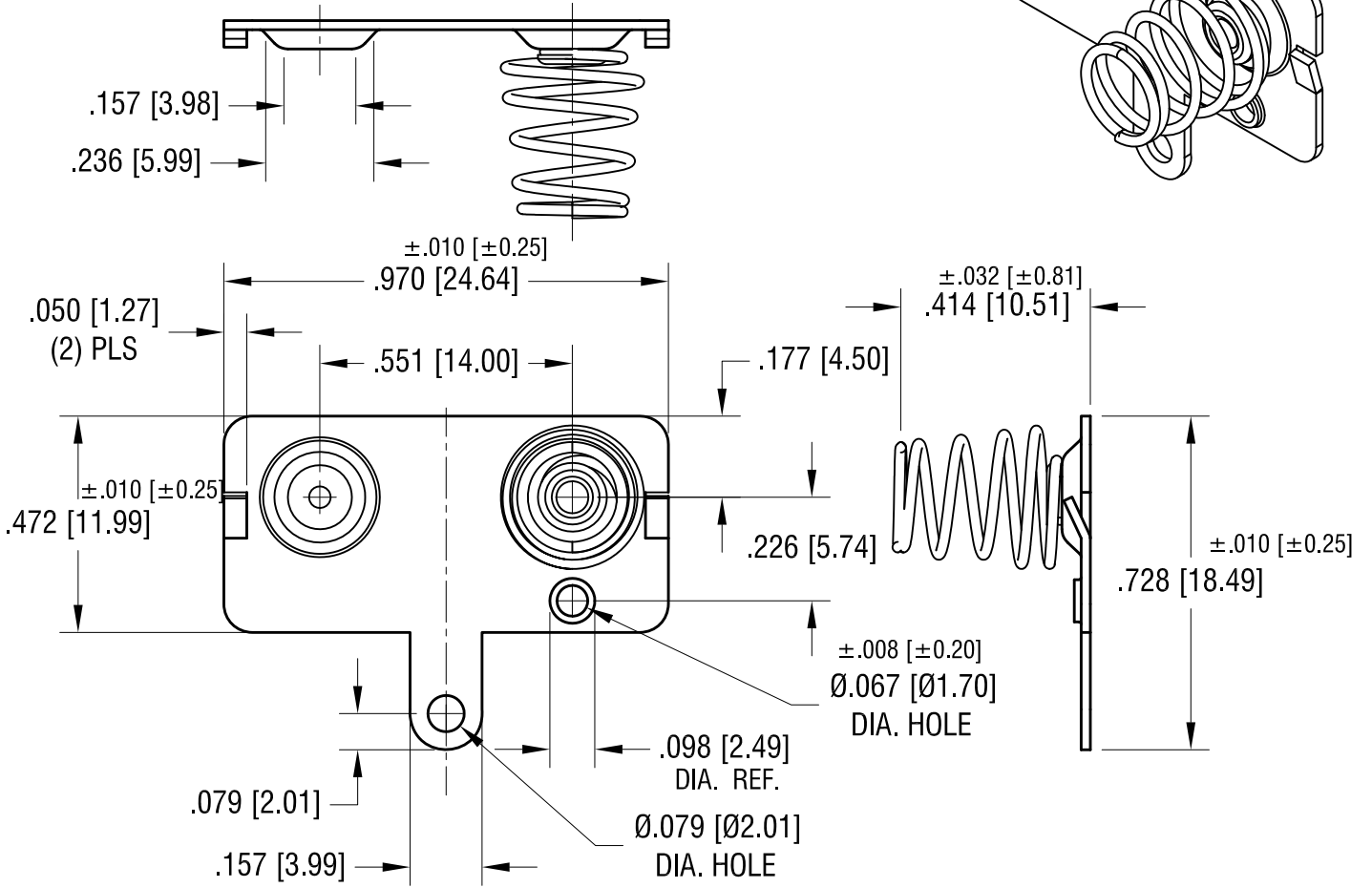
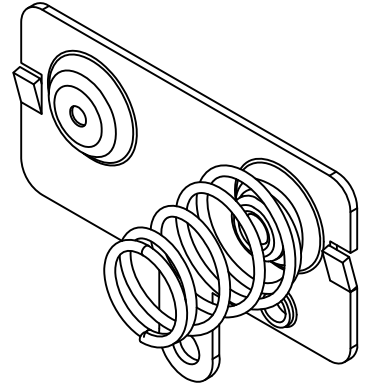


THIS DOCUMENT IS THE PROPERTY OF KEYSTONE ELECTRONICS CORP. AND SHALL NOT BE REPRODUCED, DISTRIBUTED OR USED AS A BASIS FOR MANUFACTURE WITHOUT PRIOR WRITTEN PERMISSION FROM KEYSTONE ELECTRONICS CORP.



NOTES:

- 1. BASE:  
MAT'L - .020 [0.50] TH'K STEEL
- SPRING CONTACT:  
MAT'L - .023 [0.58] DIA. MUSIC WIRE

1.30.12	CHANGE AS PER ECN 12-007	A
DATE	DESCRIPTION	REV.

<b>KEYSTONE ELECTRONICS CORP.</b>			
www.keyelco.com • ASTORIA, N.Y. 11105-2017 • Tel (718) 956-8900			
PART NAME 'AA' DUAL M/F BATTERY CONTACT			
MATERIAL AS NOTED			
FINISH AS NOTED		DRN BY NT	DATE 4.01.09
		APP'D LN	SCALE 2.5X
TOLERANCES DECIMAL ANGULAR	INCH [MM] $\pm .005 [\pm 0.13]$ $\pm 1^\circ$	CODE C/M	DWG NO. 5218
UNLESS OTHERWISE SPECIFIED			