



SPECIFICATIONS SHEET

PRODUCT TYPE : PIEZO BUZZER

PRODUCT SERIES : DB-E1168

**DESCRIPTION : PZ BUZZER SINGLE 12VDC PIN NORYL W/O EPOXY
SP LEAD FREE MATERIAL (RoHS)**

COLOR : BLACK

ELECTRICAL SPECIFICATIONS

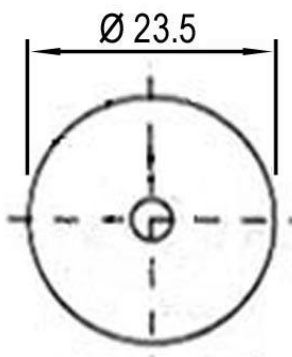
MODEL NO.		116S3120LFPN
OPERATING VOLTAGE RANGE	(VDC)	3.0 ~ 20
RATED VOLTAGE	(VDC)	12.0
* MAX. RATED CURRENT	(mA)	15.0
* MIN. SOUND OUTPUT	(dBA/ 10 cm)	90.0
* FREQUENCY	(Hz)	3400 ± 500
TONE NATURE		SINGLE
OPERATING TEMPERATURE	(°C)	- 20 ~ + 60
TERMINAL		PIN
HOUSING MATERIAL		NORYL
WEIGHT	(g)	4.0

* Value applying at rated voltage

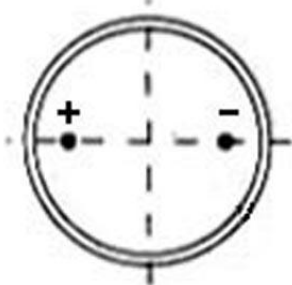
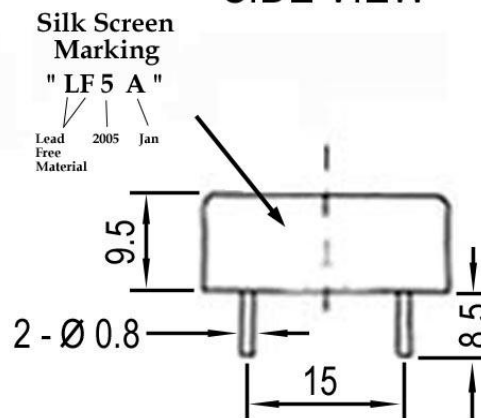
DIMENSIONS

UNIT : mm

TOP VIEW



SIDE VIEW



BOTTOM VIEW

Approved By :

Date : 02-Jun-2005

Prepared By :

Date : 02-Jun.-2005

Modify :	Date :	By :