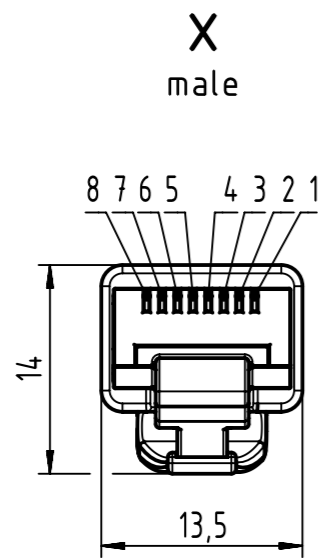
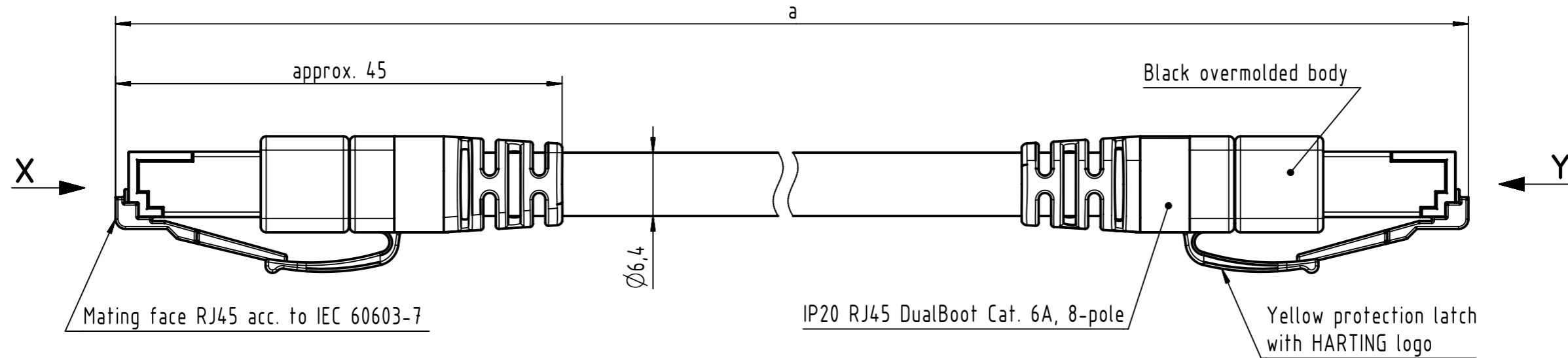
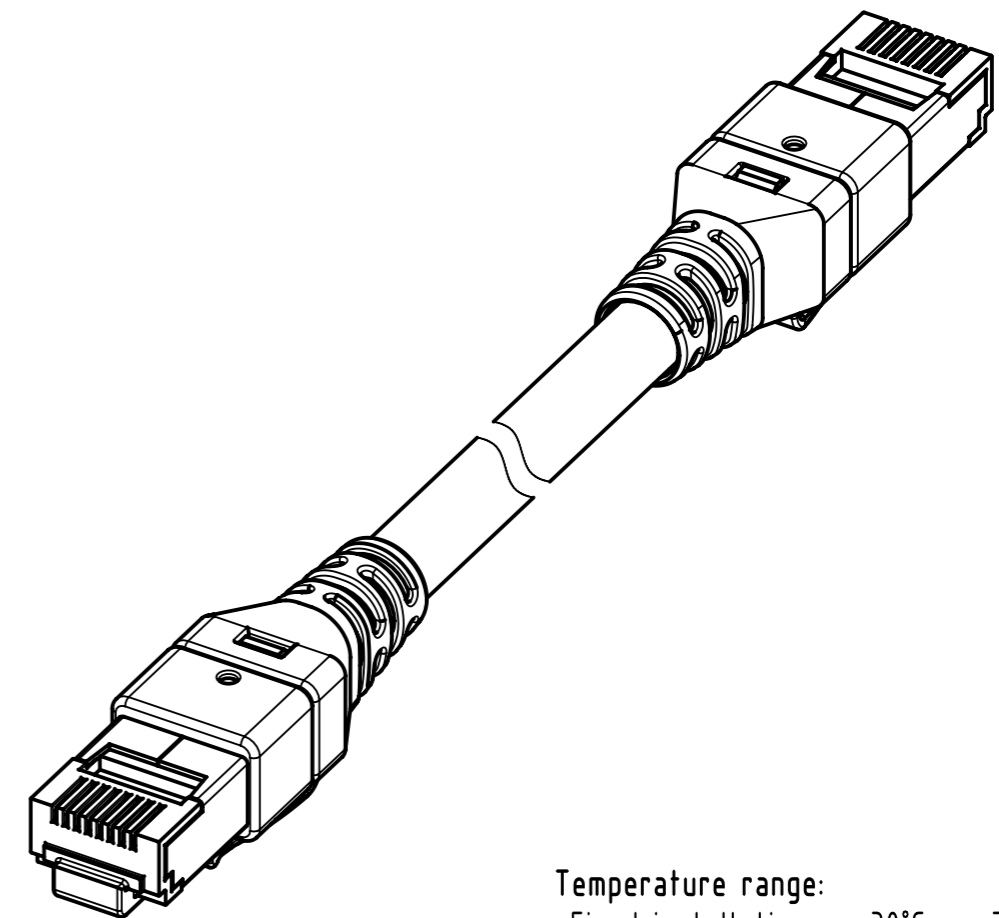
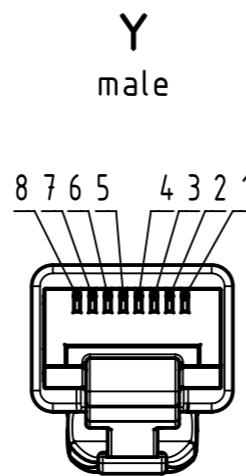
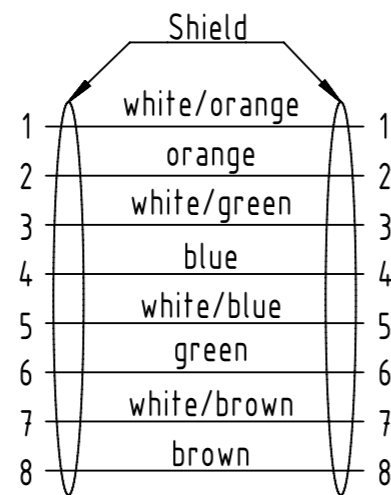


Connector Location A

Connector Location B



Loading Plan
acc. to TIA/EIA 568B



Temperature range:
- Fixed installation: -30°C ... +75°C
- Dynamic installation: -5°C ... +50°C

NOTE:
For lengths < 1.0m:
- relative positioning of the connectors to each other will be as presented in the drawing, however with an admissible angular deviation around cable axis of $\pm 30^\circ$
For lengths $\geq 1.0m$:
-relative positioning of the connectors to each other not obligatory
* Cat.6A 10 Gbit/s Ethernet transmission possible for lengths up to 45m

	All rights reserved Department HCS - RO HARTING Customised Solutions D-32339 Espelkamp	Tech. Character.		Free size tol.		According to production drawing	
		Created by MUNTEANV Muntean	Inspected by 402676 Gross	Standardisation MUNTEANV Muntean	Date 2022-04-07	State Final Release	
Title RJ1 cable 4x2xAWG26/7 CAT6A PUR						Doc-Key / ECM-Nr. 100170398/UGD/012/P 500000215376	
Type TB				Number 094747471XX		Rev. P	Page 1/2

