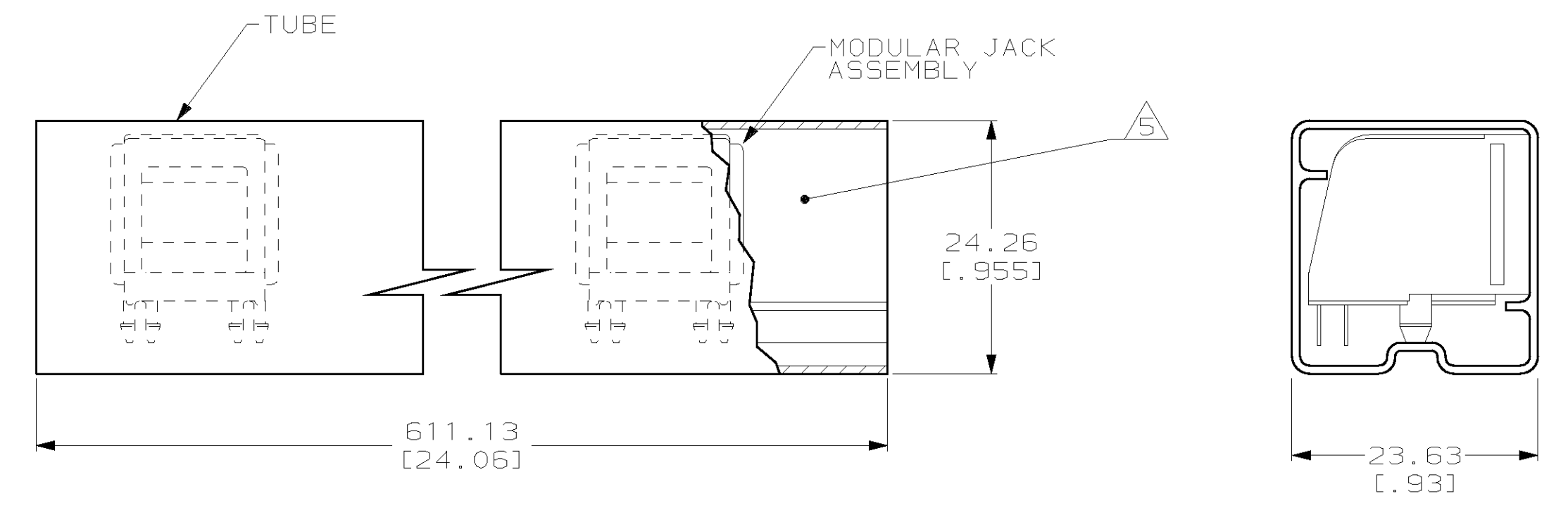
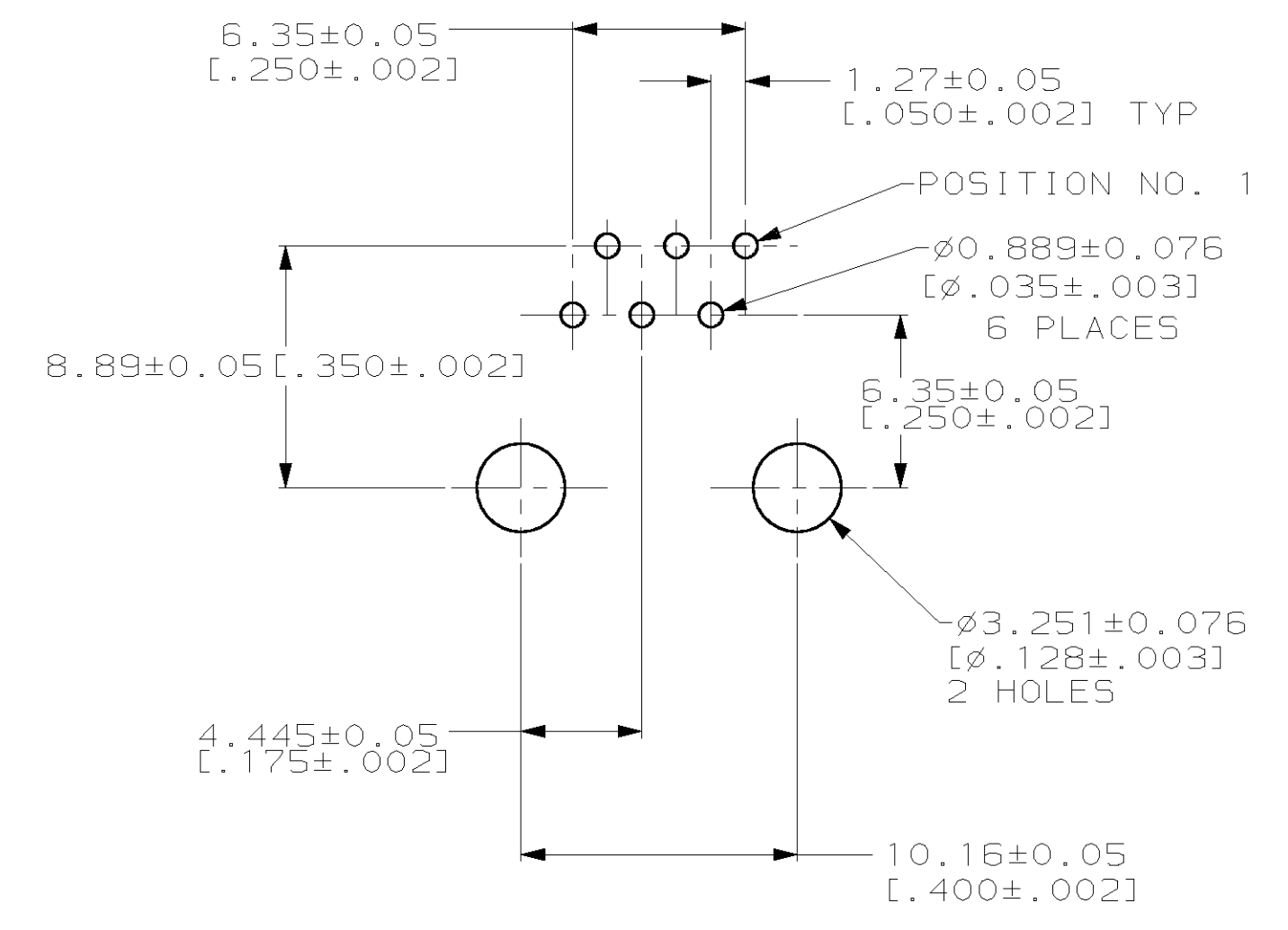
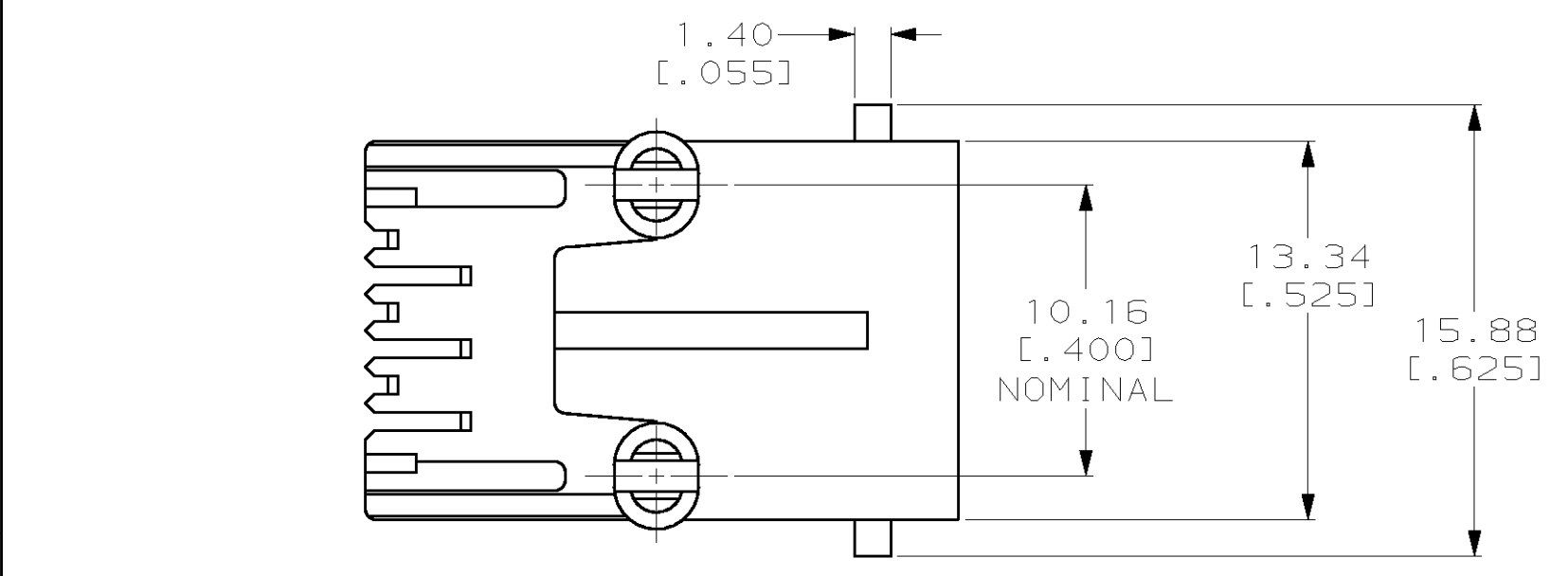


- 1 MATERIAL: HOUSING - PBT POLYESTER
 TERMINAL - 0.35 [.014] THICK PHOS-BRONZE PLATED WITH 1.27µm [.000050] THICK HARD GOLD IN LOCALIZED GOLD PLATE AREA AND 2.03µm [.000080] THICK TIN-LEAD IN SOLDER AREA OVER 1.27µm [.000050] THICK NICKEL UNDERPLATE.
- 2 CAVITY CONFORMS TO FCC RULES AND REGULATIONS PART 68 AND REA BULLETIN 345-81, PE-76 SPECIFICATION FOR MODULAR TELEPHONE HARDWARE.
- 3 DIMENSIONS ARE MAXIMUM UNLESS OTHERWISE SPECIFIED.
- 4 BULK PACKAGED IN A TRAY.
- 5 PACKAGED 36 ASSEMBLIES PER TUBE WITH BOTH ENDS CLOSED. SEE DETAIL B.
- 6 TERMINALS FOR 520250-1, -2, -4, -8, -9, AND -1/1 LOCATED IN CENTER POSITIONS.



SUPERSEDED BY 520250-9
 SUPERSEDED BY 520250-3
 SUPERSEDED BY 520250-2

2.16-2.67 [.085-.105]	▲	BLACK	4 ▲	1-520250-1
3.30-4.32 [.130-.170]	▲	BLACK	4 ▲	520250-9
		PEBBLE GRAY	4 ▲	520250-8
		BLACK	6 ▲	520250-7
		PEBBLE GRAY	4 ▲	520250-4
		BLACK	6 ▲	520250-3
		BLACK	2 ▲	520250-1
DIM A	PACKAGED	COLOR	TERMINALS REQUIRED	PART NUMBER

THIS DRAWING IS A CONTROLLED DOCUMENT.

DIMENSIONS: mm [INCHES]	TOLERANCES UNLESS OTHERWISE SPECIFIED:	DWN: I. WOOLLEN 05-APR-94	TYCO Electronics Harrisburg, PA 17105-3608
0 PLC ±.015	1 PLC ±.010	CHK: C. WHITT 06-APR-94	NAME: MODULAR JACK ASSEMBLY, 6 POSITION, SIDE ENTRY, FLANGELESS, WITH PANEL STOPS
2 PLC ±.010	3 PLC ±.010	APVD: J. TONEY 13-APR-94	
MATERIAL: ▲	FINISH: ▲	WEIGHT: -	SIZE: A1 00779 C=520250
CUSTOMER DRAWING		SCALE: 4:1	SHEET 1 OF 1 REV Z