

7400 ES

AC axial compact fan



ebm-papst St. Georgen GmbH & Co. KG

Hermann-Papst-Str. 1
D-78112 St. Georgen
Phone +49 (0) 7724 81-0
Fax +49 (0) 7724 81-1309
info2@de.ebmpapst.com
www.ebmpapst.com

Nominal data

Type	7400 ES	
Phase		1~
Nominal voltage	VAC	115
Frequency	Hz	60
Speed	min ⁻¹	3050
Power input	W	46.0
Min. ambient temperature	°C	-25
Max. ambient temperature	°C	80
Air flow	m ³ /h	425
Sound power level	B	6.9
Sound pressure level	dB(A)	62

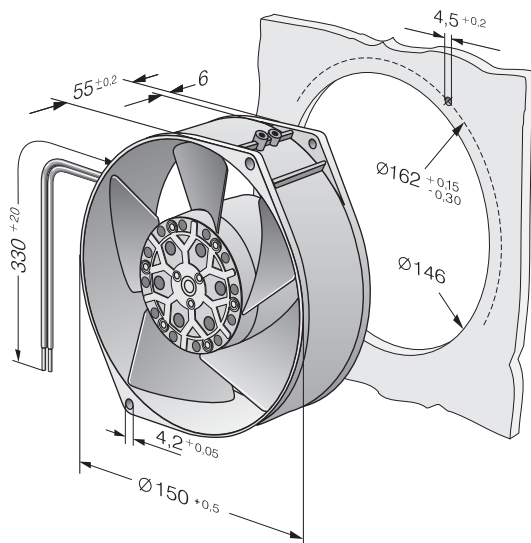
ml = Max. load · me = Max. efficiency · fa = Running at free air · cs = Customer specs · cu = Customer unit
Subject to alterations



Technical features

Mass	1.1 kg
Dimensions	150 Ø x 55 mm
Material of impeller	Sheet steel, coated in black
Housing material	Die-cast aluminium
Direction of air flow	Über Stege saugend
Direction of rotation	Left, looking at rotor
Bearing	Ball bearings
Lifetime L10 at 40 °C	50000 h
Lifetime L10 at maximum temperature	24000 h
Connection line	With 2 single strands. Strand ends with lead tips. Grounding lug for M4 x 8.
Motor protection	Protected from overload by a thermal switch
Approval	VDE, CSA, UL, CE

Product drawing



Charts: Air flow

