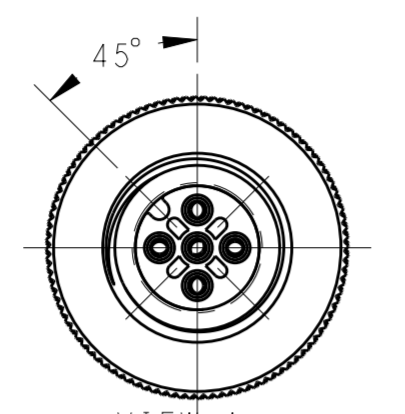
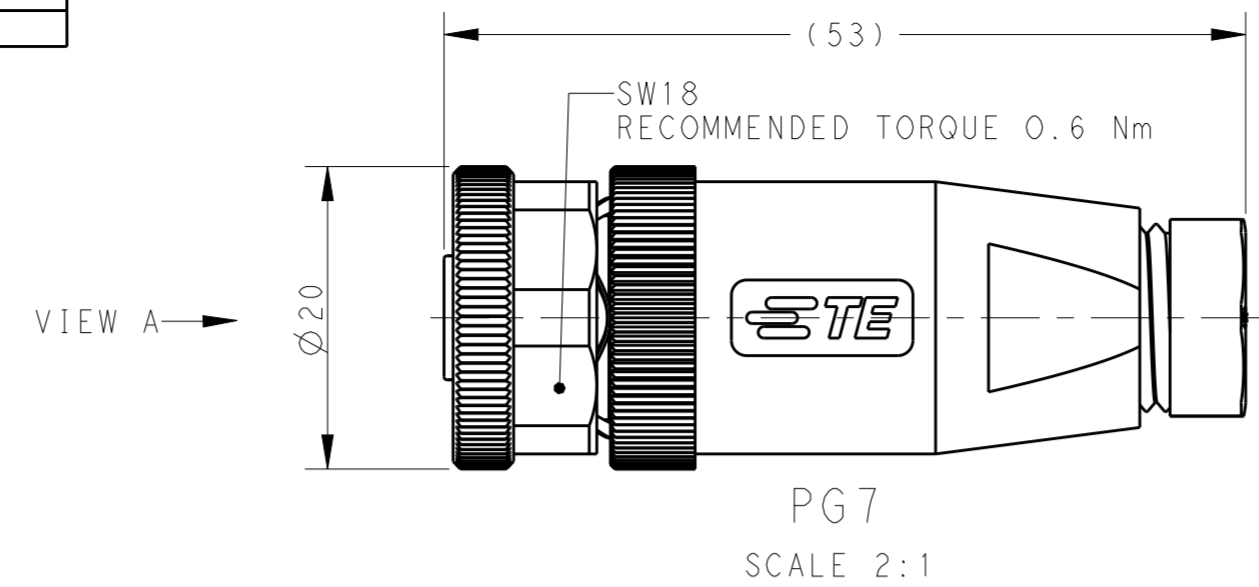


THIS DRAWING IS UNPUBLISHED. RELEASED FOR PUBLICATION 20
 © COPYRIGHT 20 BY - ALL RIGHTS RESERVED.

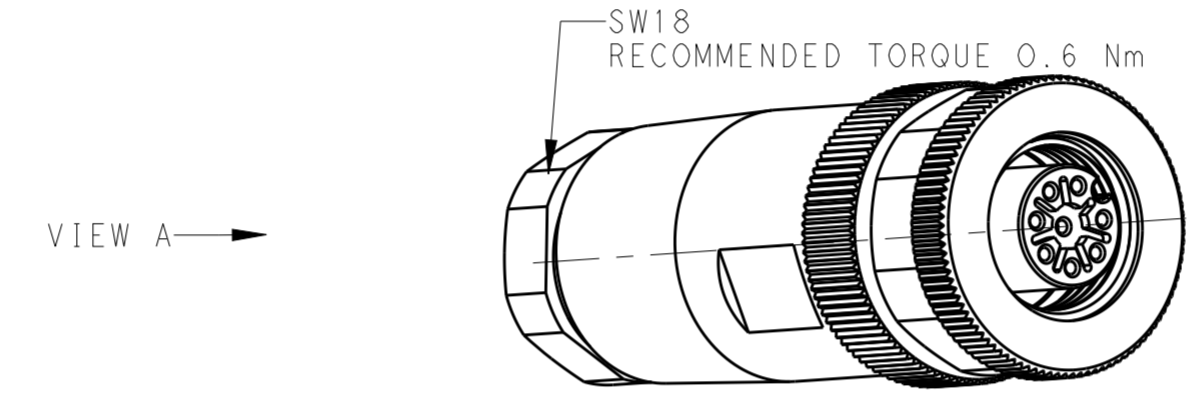
REVISIONS				
P	LTR	DESCRIPTION	DATE	APVD
A		INITIAL RELEASE	08JUL2015	NP XX
A1		ECR-15-018715 ADD 114 SPEC.	29DEC2015	NP XX
A2		ECR-20-012708 ADD PG9 MODEL	11SEP2020	S.C C.W



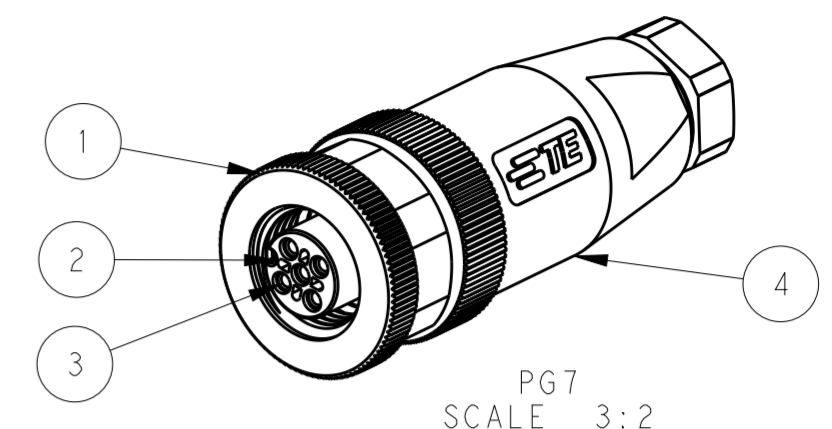
VIEW A
DETAIL SEE TABLE 1



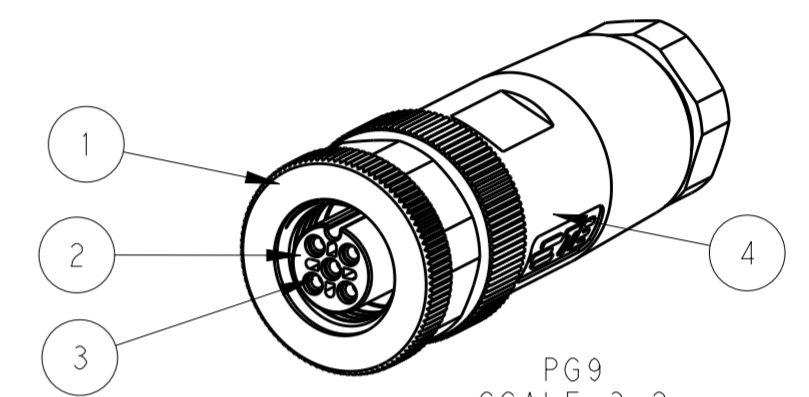
PG7
SCALE 2:1



PG9
SCALE 2:1



PG7
SCALE 3:2



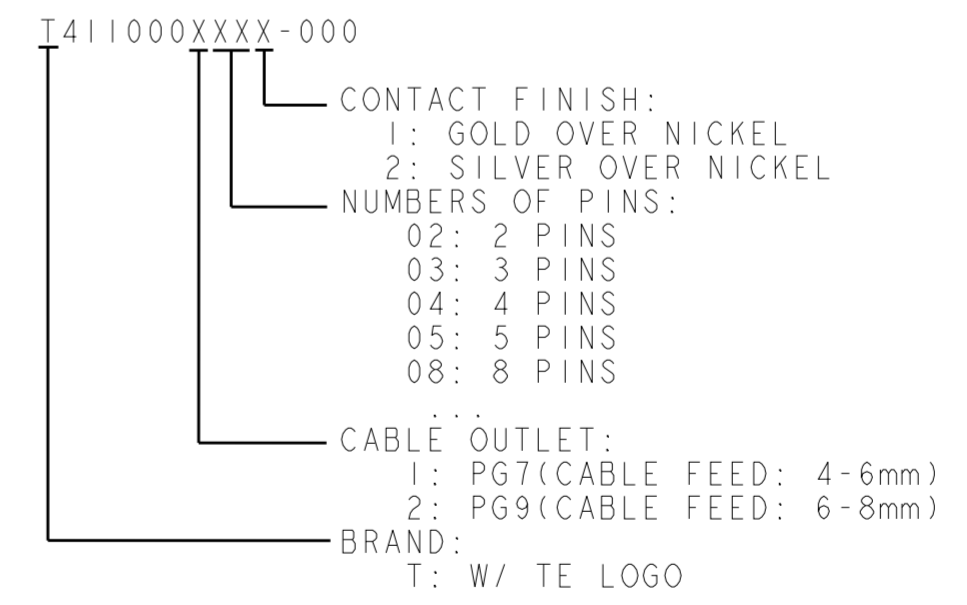
PG9
SCALE 3:2

TECHNICAL DATA	T411000X02X-000	T411000X03X-000	T411000X04X-000	T411000X05X-000	T411000X08X-000
RATED VOLTAGE	250V	250V	250V	60V	30V
RATED CURRENT	4A	4A	4A	4A	2A
POLLUTION DEGREE	3	3	3	3	3
OVERVOLTAGE CATEGORY	II	II	II	II	II
MATERIAL GROUP	II	II	II	II	II
CONTACT RESISTANCE	≤8mΩ	≤8mΩ	≤8mΩ	≤8mΩ	≤8mΩ
INSULATION RESISTANCE	>100MΩ	>100MΩ	>100MΩ	>100MΩ	>100MΩ
DEGREE OF PROTECTION	IP67	IP67	IP67	IP67	IP67
OPERATION TEMPERATURE	-40~85°C	-40~85°C	-40~85°C	-40~85°C	-40~85°C

TABLE 1 PIN ARRANGEMENT A-CODE		
T411000X02X-000	T411000X03X-000	T411000X04X-000
T411000X05X-000	T411000208X-000	

T4110002081-000	RPC-M12-FS-8CON-PG9-MU
T4110002082-000	RPC-M12-FS-8CON-PG9-M
T4110001081-000	RPC-M12-FS-8CON-PG7-MU
T4110001082-000	RPC-M12-FS-8CON-PG7-M
T4110002051-000	RPC-M12-FS-5CON-PG9-MU
T4110001051-000	RPC-M12-FS-5CON-PG7-MU
T4110002052-000	RPC-M12-FS-5CON-PG9-M
T4110001052-000	RPC-M12-FS-5CON-PG7-M
T4110002041-000	RPC-M12-FS-4CON-PG9-MU
T4110001041-000	RPC-M12-FS-4CON-PG7-MU
T4110002042-000	RPC-M12-FS-4CON-PG9-M
T4110001042-000	RPC-M12-FS-4CON-PG7-M
T4110002031-000	RPC-M12-FS-3CON-PG9-MU
T4110001031-000	RPC-M12-FS-3CON-PG7-MU
T4110002032-000	RPC-M12-FS-3CON-PG9-M
T4110001032-000	RPC-M12-FS-3CON-PG7-M
T4110002021-000	RPC-M12-FS-2CON-PG9-MU
T4110001021-000	RPC-M12-FS-2CON-PG7-MU
T4110002022-000	RPC-M12-FS-2CON-PG9-M
T4110001022-000	RPC-M12-FS-2CON-PG7-M
TE PN	TYPE

- NOTE:
- MATERIAL:
 - ITEM NO.1: NUT -BRASS
 - ITEM NO.2: HOUSING -PA
 - ITEM NO.3: CONTACT -BRONZE
 - ITEM NO.4: HOUSING BODY: -PBT+GF
 - CONTACT FINISH:
 - GOLD OVER NICKEL OR SILVER OVER NICKEL
 - CABLE WIRES:
 - 18AWG/0.75mm² Max. FOR 2-5 PINS
 - 20AWG/0.50mm² Max. FOR 8 PINS
 - ALL DIMENSIONS ARE FOR NOMINAL REFERENCE ONLY UNLESS OTHERWISE STATED
 - PACKAGEING: 1 PIECE IN A BAG
 - PN INFORMATION



THIS DRAWING IS A CONTROLLED DOCUMENT.		DWN HAO WANG 08JAN2015	TE Connectivity	
		CHK KOBBY ZHAO 08JAN2015		
		APVD XIANG XU 08JAN2015	NAME M12 FEMALE, A CODE, STRAIGHT UNSHIELDED CONNECTOR SCREW TERMINAL	
DIMENSIONS: mm		TOLERANCES UNLESS OTHERWISE SPECIFIED:	PRODUCT SPEC 108-106140	
<ul style="list-style-type: none"> 0 PLC ±0.2 1 PLC ±0.2 2 PLC ±0.2 3 PLC ± 4 PLC ± ANGLES ± FINISH 		APPLICATION SPEC 114-137144	SIZE A2	
MATERIAL		WEIGHT	DRAWING NO. C-T411000XXXX000	
		CUSTOMER DRAWING	RESTRICTED TO	
		SCALE 1:1	SHEET 1 OF 1 REV A2	