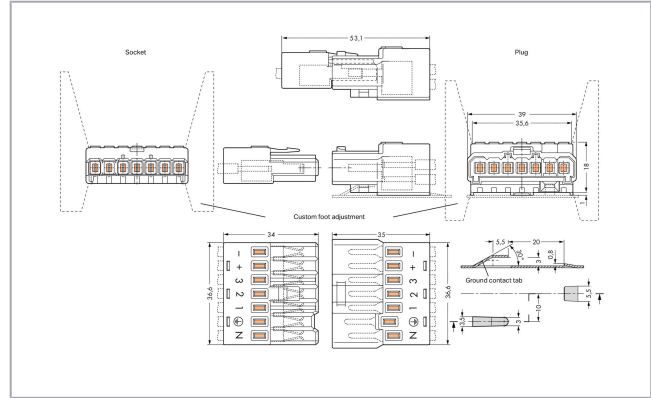


Data sheet | Item number: 267-521
 Male connector; 7-pole; 2,50 mm²; white

www.wago.com/267-521

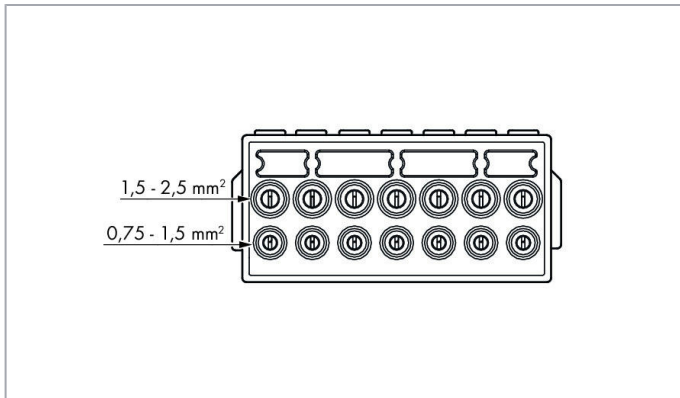


i Picture differs from the item.

RoHS Compliant

BOMcheck.net

Color:



Data
Electrical data

Ratings per IEC/EN

Ratings per	IEC/EN 61984
Rated voltage (III/2)	500 V

Subject to changes. Please also observe the further product documentation!

WAGO Kontakttechnik GmbH & Co. KG
 Hansastr. 27
 32423 Minden
 Phone: +49571 887-0 | Fax: +49571 887-169
 Email: info.de@wago.com | Web: www.wago.com

Do you have any questions about our products?
 We are always happy to take your call at +49 (571) 887-44222.



Rated surge voltage (III/2)	4 kV
Rated current	16 A
Legend (ratings)	(III / 2) $\hat{=}$ Overvoltage category III / Pollution degree 2

Ratings per UL

Approvals per	UL 1059
---------------	---------

Ratings per CSA

Approvals per	CSA
---------------	-----

Connection data

Connection type (1)	PUSH WIRE® connection
Connection technology	PUSH WIRE®
Number of connection points (connection type)	1
Solid conductor	1.5 ... 2.5 mm ² / 16 ... 14 AWG
Strip length	11 ... 12 mm / 0.43 ... 0.47 inch
Connection type 2	PUSH WIRE® connection
Connection technology 2	PUSH WIRE®
Number of connection points	1
Solid conductor 2	0.75 ... 1.5 mm ² / 18 ... 16 AWG
Strip length 2	11 ... 12 mm / 0.43 ... 0.47 inch
Number of connection types	2
Number of levels	2

Physical data

Width	35 mm / 1.378 inch
Height from the surface	18 mm / 0.709 inch
Depth	39 mm / 1.535 inch

Material data

Color	white
Material group	I
Insulation material	Polyamide (PA66)
Flammability class per UL94	V0
Clamping spring material	Chrome nickel spring steel (CrNi)

Subject to changes. Please also observe the further product documentation!

Contact material	Electrolytic copper (E _{Cu})
Contact plating	tin-plated
Fire load	0.281 MJ
Weight	19.6 g

Environmental requirements



Temperature stability	105 °C
-----------------------	--------

Commercial data

Product Group	8 (Misc. Chassis Mount Blocks)
Packaging type	BOX
Country of origin	PL
GTIN	4050821307914
Customs tariff number	85366990990

Approvals / Certificates

Country specific Approvals

Logo	Approval	Additional Approval Text	Certificate name
	CCA DEKRA Certification B.V.	EN 61984	2156138.01
	CCA DEKRA Certification B.V.	IEC 61984	NL-47713
	VDE VDE Prüf- und Zertifizierungsinstitut	EN 61984	40032309

Downloads

Documentation

Additional Information

Technical explanations	3. 4. 2019	pdf 2.0 MB	Download
------------------------	------------	---------------	----------

Environmental Product Compliance

Subject to changes. Please also observe the further product documentation!



Compliance Search

Environmental Product Compliance 267-521

URL

Download

Male connector; 7-pole; 2,50 mm²; white

Installation Notes

Subject to changes. Please also observe the further product documentation!

WAGO Kontakttechnik GmbH & Co. KG
Hansastr. 27
32423 Minden
Phone: +49571 887-0 | Fax: +49571 887-169
Email: info.de@wago.com | Web: www.wago.com

Do you have any questions about our products?
We are always happy to take your call at +49 (571) 887-44222.