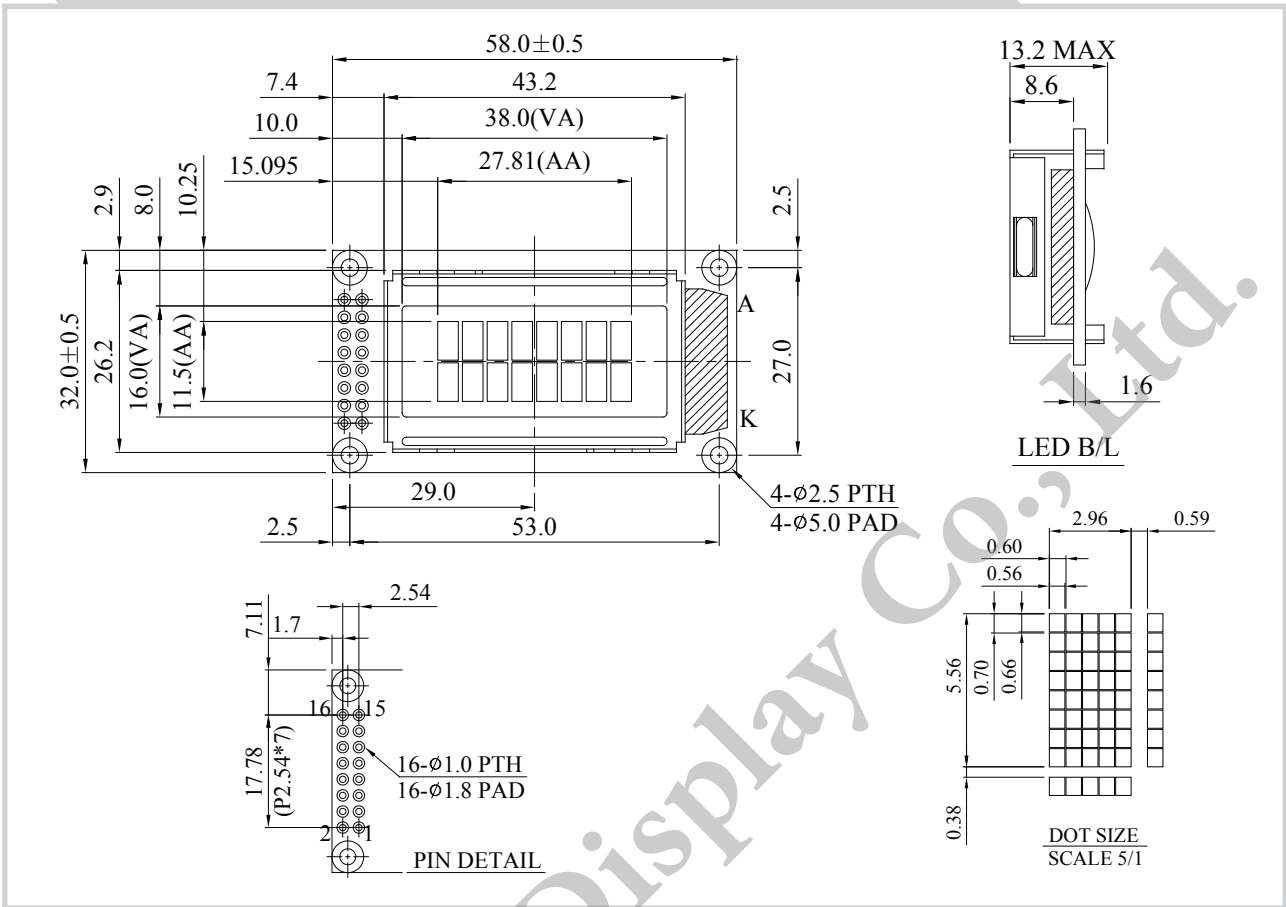


WH0802A1 VATN Character 8x2



Feature

1. 5x8 dots includes cursor
2. Built-in controller RW1063
3. 5V power supply only
4. 1/16 duty cycle
5. LED type : Green / Blue / Red / White / Y-G
6. LED can be driven by PIN1, PIN2 or K
7. Interface : Option 6800, SPI, I2C

Pin No.	Symbol	Description
1	V _{SS}	Ground
2	V _{DD}	Power supply for logic
3	NC	No connection
4	RS	Data/ Instruction select signal
5	R/W	Read/Write select signal
6	E	Enable signal
7	DB0	Data bus line
8	DB1	Data bus line
9	DB2	Data bus line
10	DB3	Data bus line
11	DB4	Data bus line
12	DB5	Data bus line
13	DB6	Data bus line
14	DB7	Data bus line
15	A	Power supply for B/L +
16	K	Power supply for B/L -

Mechanical Data

Item	Standard Value	Unit
Module Dimension	58.0 x 32.0	mm
Viewing Area	38.0 x 16.0	mm
Mounting Hole	53.0 x 27.0	mm
Character Size	2.96 x 5.56	mm

Electrical Characteristics

Item	Symbol	Standard Value	Unit
		typ.	
Input Voltage	V _{DD}	5.0	V
Recommended LCD Driving Voltage for Normal Temp. Version module @25°C	V _{DD-VO}	---	V

Display Character Address Code

Display position	1	2	3	4	5	6	7	8
DD RAM Address	00	01						07
DD RAM Address	40	41						47