

MAXM15462

4.5V to 42V, 300mA Himalaya uSLIC Step-Down Power Module

General Description

The Himalaya series of voltage regulator ICs and power modules enable cooler, smaller, and simpler power-supply solutions. The MAXM15462 is a high-efficiency, synchronous step-down DC-DC module with integrated controller, MOSFETs, compensation components, and inductor that operates over a wide input-voltage range. The module operates from 4.5V to 42V input and delivers up to 300mA output current over a programmable output voltage from 0.9V to 5V. The module significantly reduces design complexity, manufacturing risks, and offers a true plug and play power/supply solution, reducing time-to-market.

The MAXM15462 employs peak-current-mode control architecture. To reduce input inrush current, the device offers a fixed 4.1ms soft-start time.

The MAXM15462 module is available in a low profile, compact 10-pin, 2.6mm × 3mm × 1.5mm, uSLIC™ package.

Applications

- Industrial Sensors and Encoders
- 4-20mA Current-Loop Powered Sensors
- LDO Replacement
- HVAC and Building Control
- Battery-Powered Equipment

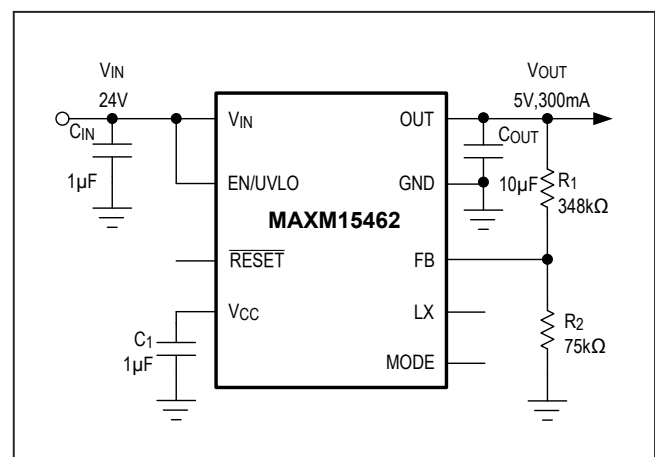
Ordering Information appears at end of data sheet.

uSLIC is a trademark of Maxim Integrated Products, Inc.

Benefits and Features

- Easy to Use
 - Wide 4.5V to 42V Input
 - Adjustable 0.9V to 5V Output
 - ±1.44% Feedback Accuracy
 - Up to 300mA Output-Current
 - Internally Compensated
 - All Ceramic Capacitors
- High Efficiency
 - Selectable PWM- or PFM-Mode of Operation
 - Shutdown Current as Low as 2.2µA (typ)
- Flexible Design
 - Internal Soft-Start and Prebias Startup
 - Open-Drain Power Good Output (RESET Pin)
 - Programmable EN/UVLO Threshold
- Robust Operation
 - Hiccup Overcurrent Protection
 - Overtemperature Protection
 - -40°C to +125°C Ambient Operating Temperature/
-40°C to +150°C Junction Temperature
- Rugged
 - Complies with CISPR22(EN55022) Class B Conducted and Radiated Emissions
 - Passes Drop, Shock, and Vibration Standards: JESD22-B103, B104, B111

Typical Application Circuit



Absolute Maximum Ratings

| | | | |
|-------------------------------------|------------------------------|--|-----------------|
| V_{IN} , EN/UVLO to GND | -0.3V to 48V | Junction Temperature (Note 1)..... | +150°C |
| LX, OUT and GND | -0.3V to ($V_{IN} + 0.3V$) | Storage Temperature Range | -55°C to +125°C |
| V_{CC} , FB, RESET to GND..... | -0.3V to 6V | Lead temperature (soldering, 10s)..... | +260°C |
| MODE to GND..... | -0.3V to ($V_{CC} + 0.3V$) | Soldering Temperature (reflow)..... | +260°C |
| Output Short-Circuit Duration | Continuous | | |

Stresses beyond those listed under "Absolute Maximum Ratings" may cause permanent damage to the device. These are stress ratings only, and functional operation of the device at these or any other conditions beyond those indicated in the operational sections of the specifications is not implied. Exposure to absolute maximum rating conditions for extended periods may affect device reliability.

Package Information

| | |
|--|---------------------------|
| PACKAGE TYPE: 10-PIN uSLIC | |
| Package Code | M102A3+2 |
| Outline Number | 21-100094 |
| Land Pattern Number | 90-100027 |
| THERMAL RESISTANCE, FOUR-LAYER BOARD (Note 2) | |
| Junction to Ambient (θ_{JA}) | 41.56 °C/W |

For the latest package outline information and land patterns (footprints), go to www.maximintegrated.com/packages. Note that a "+", "#", or "-" in the package code indicates RoHS status only. Package drawings may show a different suffix character, but the drawing pertains to the package regardless of RoHS status.

- Note 1:** Junction temperature greater than +125°C degrades operating lifetimes.
- Note 2:** Package thermal resistance is measured on an evaluation board with natural convection.

Electrical Characteristics

($V_{IN} = V_{EN/UVLO} = 24V$, $V_{GND} = 0V$, $C_{VCC} = 1\mu F$, $FB = 1V$, $LX = MODE = RESET = OUT =$ unconnected; $T_A = -40^\circ C$ to $+125^\circ C$, unless otherwise noted. Typical values are at $T_A = +25^\circ C$. All voltages are referenced to GND, unless otherwise noted.) (Note 3)

| PARAMETER | SYMBOL | CONDITIONS | MIN | TYP | MAX | UNITS |
|---|-----------------|---|------|-------|------|---------|
| INPUT SUPPLY (V_{IN}) | | | | | | |
| Input-Voltage Range | V_{IN} | | 4.5 | | 42 | V |
| Input-Shutdown Current | I_{IN-SH} | $V_{EN/UVLO} = 0V$, shutdown mode | | 2.2 | 4 | μA |
| Input-Supply Current | I_{Q-PFM} | MODE = unconnected, $FB = 1.03 \times V_{FB-REG}$ | | 95 | 160 | μA |
| | I_{Q-PWM} | Normal switching mode, $V_{IN} = 24V$, $MODE=0$ | | 3.2 | | mA |
| ENABLE/UVLO ($EN/UVLO$) | | | | | | |
| EN/UVLO Threshold | V_{ENR} | $V_{EN/UVLO}$ rising | 1.19 | 1.215 | 1.28 | V |
| | V_{ENF} | $V_{EN/UVLO}$ falling | 1.06 | 1.09 | 1.16 | |
| | $V_{EN-TRUESD}$ | $V_{EN/UVLO}$ falling, true shutdown | | 0.75 | | |
| EN/UVLO Input-Leakage Current | $I_{EN/UVLO}$ | $T_A = +25^\circ C$ | -100 | | +100 | nA |

Electrical Characteristics (continued)

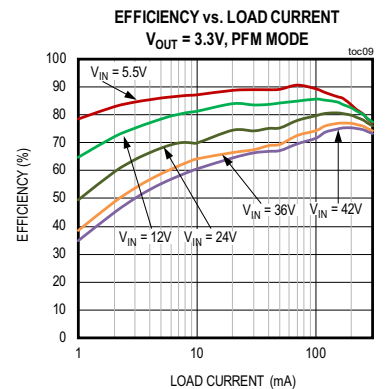
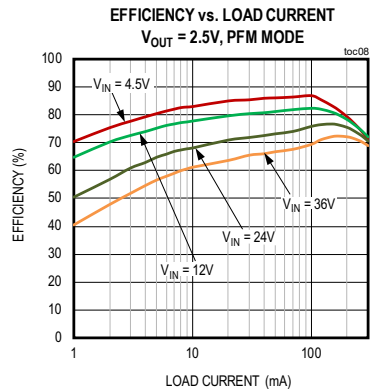
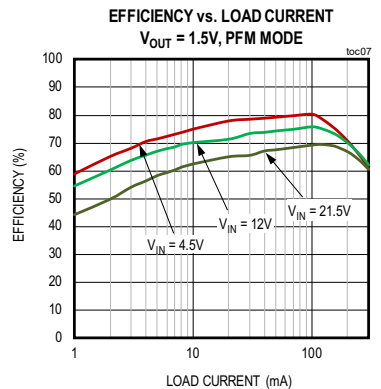
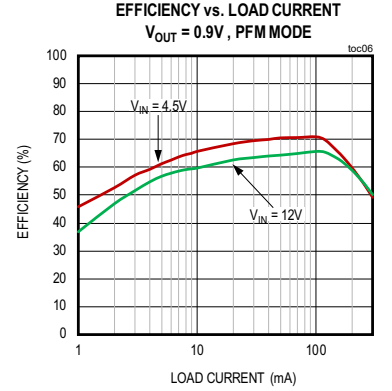
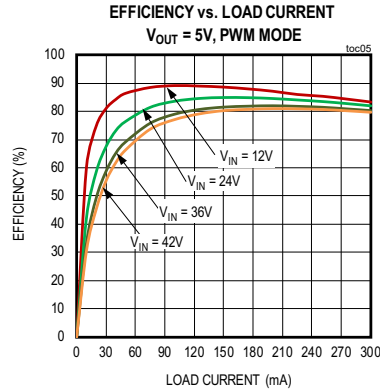
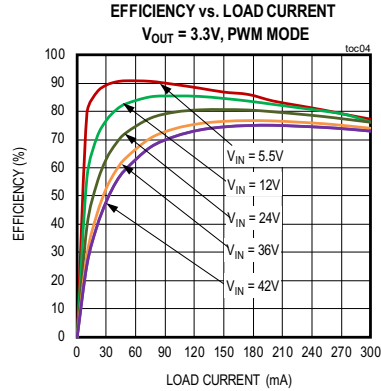
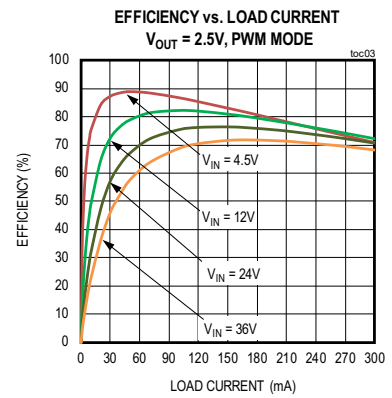
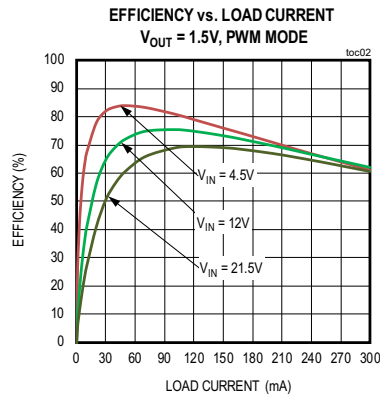
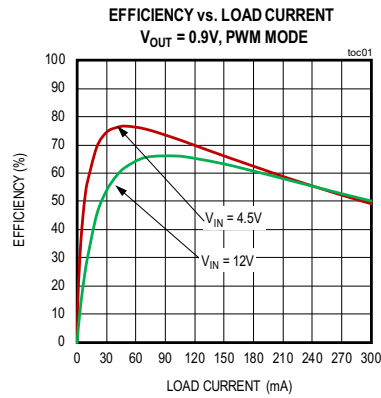
($V_{IN} = V_{EN/UVLO} = 24V$, $V_{GND} = 0V$, $C_{VCC} = 1\mu F$, $FB = 1V$, $LX = MODE = \overline{RESET} = OUT = \text{unconnected}$; $T_A = -40^\circ C$ to $+125^\circ C$, unless otherwise noted. Typical values are at $T_A = +25^\circ C$. All voltages are referenced to GND, unless otherwise noted.) (Note 3)

| PARAMETER | SYMBOL | CONDITIONS | MIN | TYP | MAX | UNITS |
|--|----------------------|---|-------|-------|-------|-------|
| LDO (V_{CC}) | | | | | | |
| V _{CC} Output-Voltage Range | V _{CC} | 6V < V _{IN} < 42V, 0mA < I _{VCC} < 10mA | 4.75 | 5 | 5.25 | V |
| V _{CC} Current Limit | I _{VCC-MAX} | V _{CC} = 4.3V | 13 | 30 | 50 | mA |
| V _{CC} Dropout | V _{CC-DO} | V _{IN} = 4.5V, I _{VCC} = 5mA | | 0.15 | 0.3 | V |
| V _{CC} UVLO | V _{CC-UVR} | V _{CC} rising | 4.05 | 4.18 | 4.3 | V |
| | V _{CC-UVF} | V _{CC} falling | 3.7 | 3.8 | 3.95 | |
| SOFT-START (SS) | | | | | | |
| Soft-Start Time | t _{SS} | | 3.8 | 4.1 | 4.4 | ms |
| FEEDBACK (FB) | | | | | | |
| FB-Regulation Voltage | V _{FB-REG} | MODE = GND | 0.887 | 0.9 | 0.913 | V |
| | | MODE = unconnected | 0.887 | 0.915 | 0.936 | |
| FB-Leakage Current | I _{FB} | | -100 | -25 | | nA |
| TIMING | | | | | | |
| Switching Frequency | f _{SW} | | 465 | 500 | 535 | kHz |
| FB Undervoltage Trip Level to Cause Hiccup | | | 62.5 | 64.5 | 66.5 | % |
| Hiccup Timeout | | | | 131 | | ms |
| Minimum On-Time | t _{ON-MIN} | | | 90 | 130 | ns |
| Maximum Duty Cycle | D _{MAX} | FB = 0.98 × FB _{REG} | 89 | 91.4 | 94 | % |
| RESET | | | | | | |
| FB Threshold for \overline{RESET} Rising | | FB rising | 93.5 | 95.5 | 97.5 | % |
| FB Threshold for \overline{RESET} Falling | | FB falling | 90 | 92 | 94 | % |
| \overline{RESET} Delay After FB Reaches 95% Regulation | | | | 2 | | ms |
| \overline{RESET} Output-Level Low | | I _{RESET} = 5mA | | | 0.2 | V |
| \overline{RESET} Output-Leakage Current | | V _{RESET} = 5.5V, T _A = +25°C | | | 0.1 | μA |
| MODE | | | | | | |
| MODE Internal Pullup Resistor | | | | 500 | | kΩ |
| THERMAL SHUTDOWN | | | | | | |
| Thermal-Shutdown Threshold | | Temperature rising | | 166 | | °C |
| Thermal-Shutdown Hysteresis | | | | 10 | | °C |

Note 3: Electrical specifications are production tested at T_A = +25°C. Specifications over the entire operating temperature range are guaranteed by design and characterization.

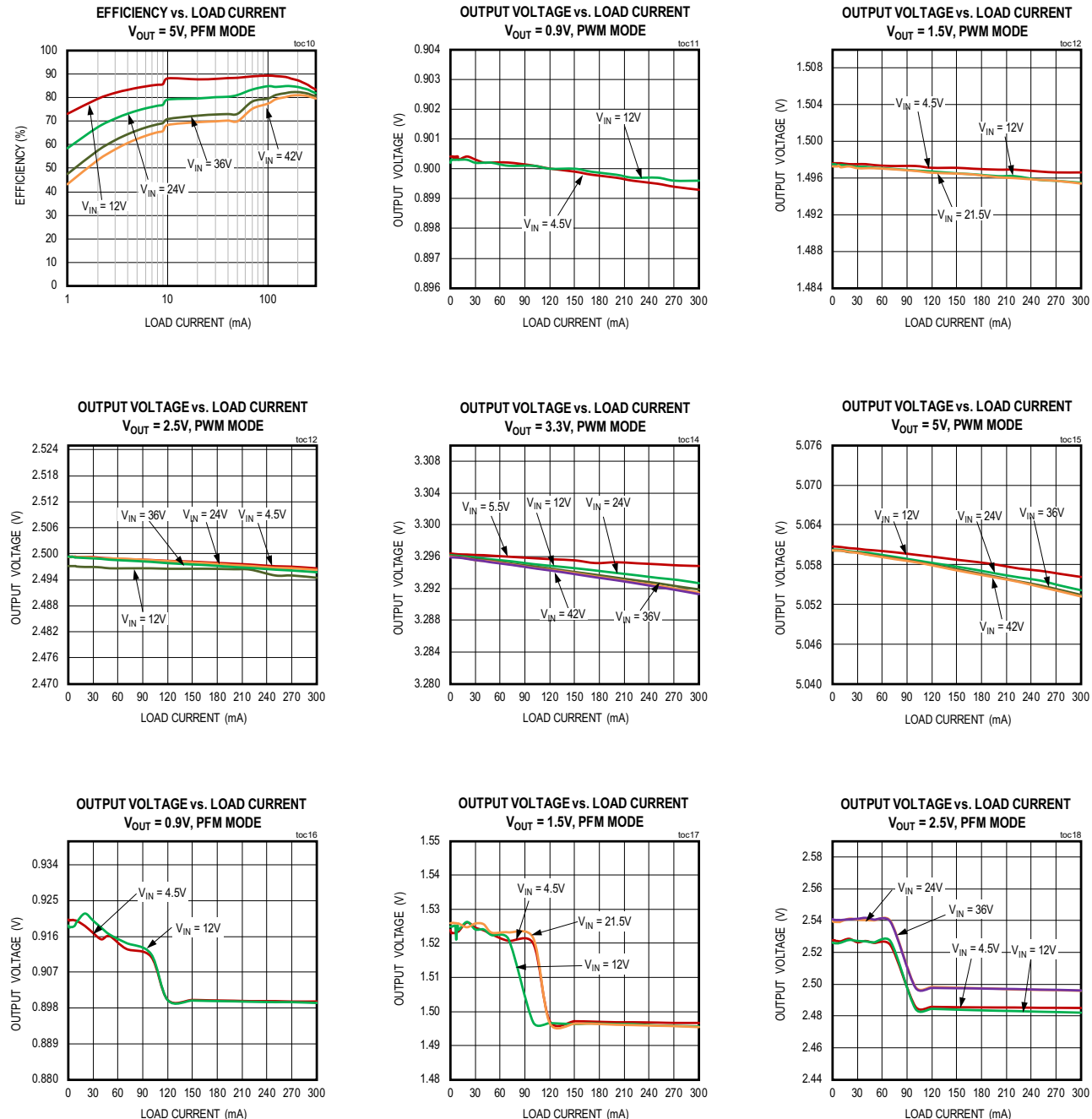
Typical Operating Characteristics

($V_{IN} = V_{EN/UVLO} = 24V$, $V_{GND} = 0V$, $T_A = -40^{\circ}C$ to $+125^{\circ}C$, unless otherwise noted. Typical values are at $T_A = +25^{\circ}C$. All voltages are referenced to GND, unless otherwise noted. The circuit values for different output-voltage applications are as in [Table 1](#), unless otherwise noted.)



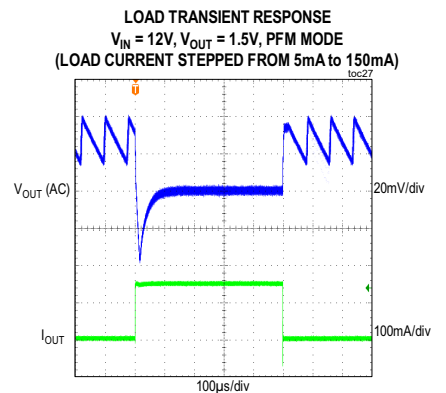
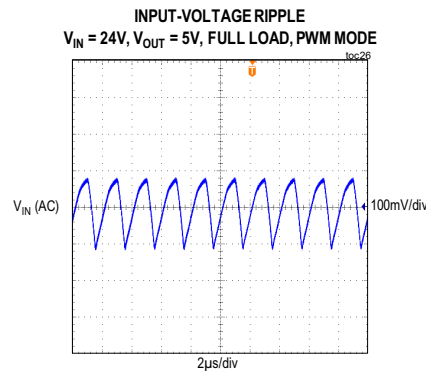
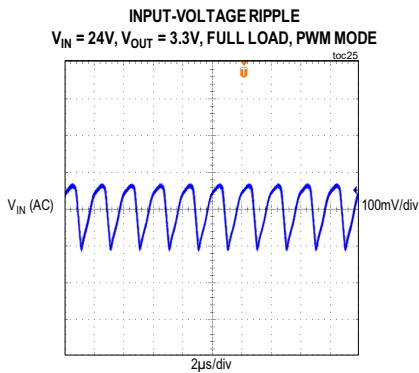
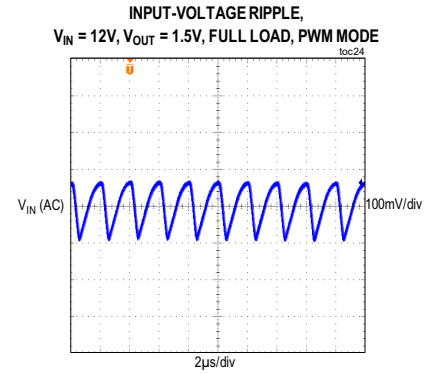
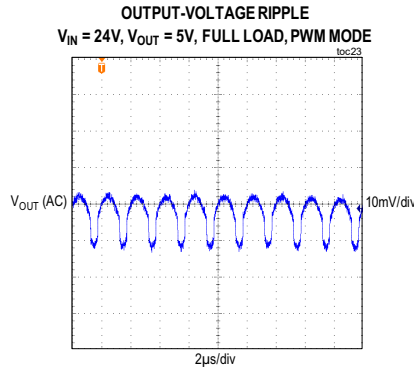
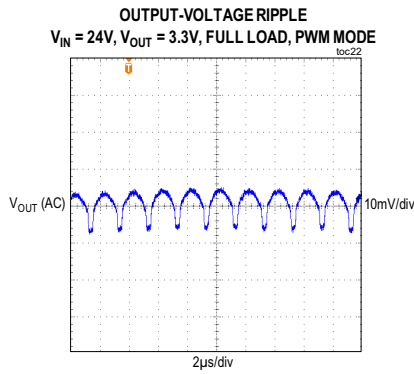
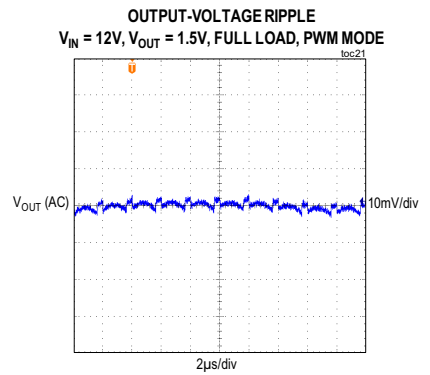
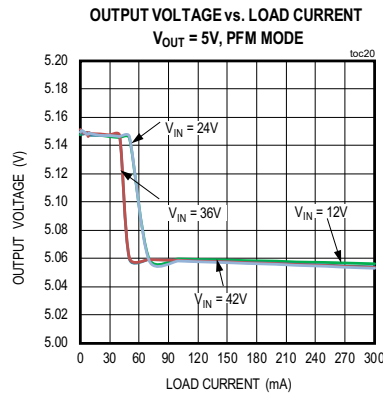
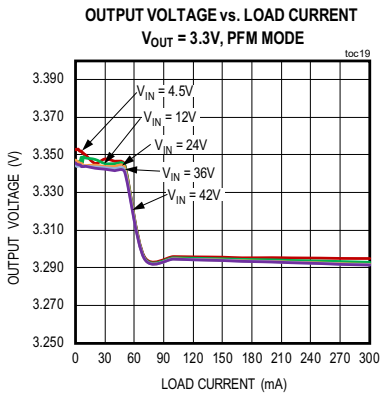
Typical Operating Characteristics (continued)

($V_{IN} = V_{EN/UVLO} = 24V$, $V_{GND} = 0V$, $T_A = -40^{\circ}C$ to $+125^{\circ}C$, unless otherwise noted. Typical values are at $T_A = +25^{\circ}C$. All voltages are referenced to GND, unless otherwise noted. The circuit values for different output-voltage applications are as in Table 1, unless otherwise noted.)



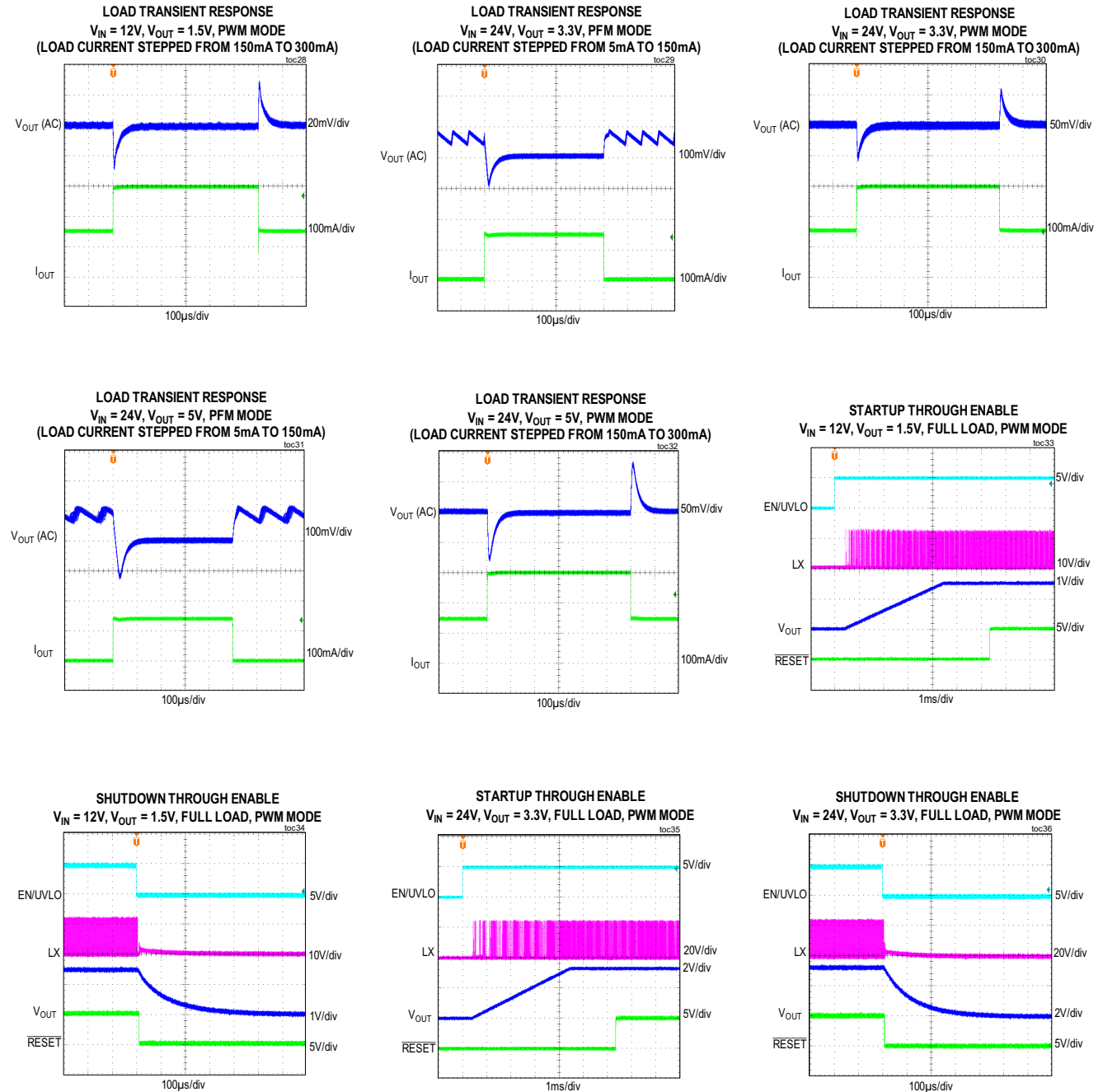
Typical Operating Characteristics (continued)

($V_{IN} = V_{EN/UVLO} = 24V$, $V_{GND} = 0V$, $T_A = -40^{\circ}C$ to $+125^{\circ}C$, unless otherwise noted. Typical values are at $T_A = +25^{\circ}C$. All voltages are referenced to GND, unless otherwise noted. The circuit values for different output-voltage applications are as in Table 1, unless otherwise noted.)



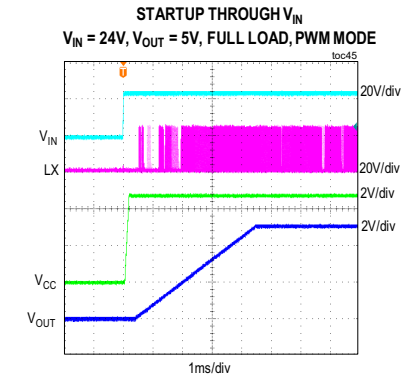
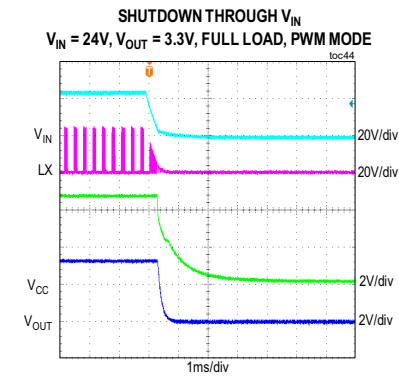
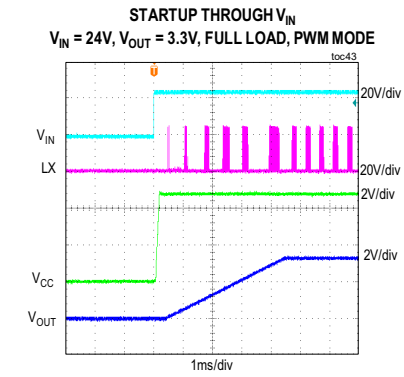
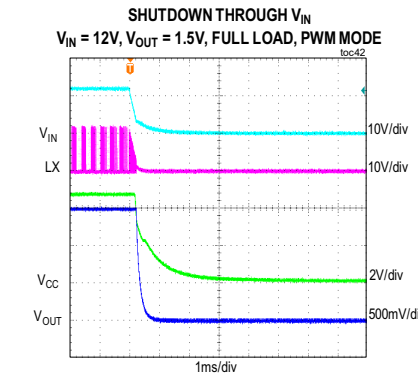
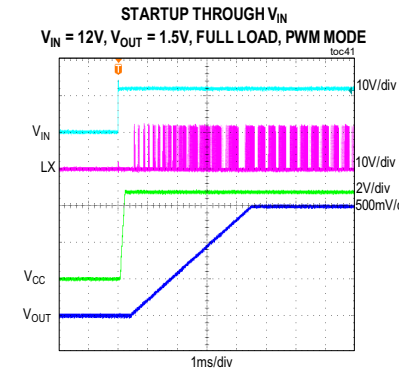
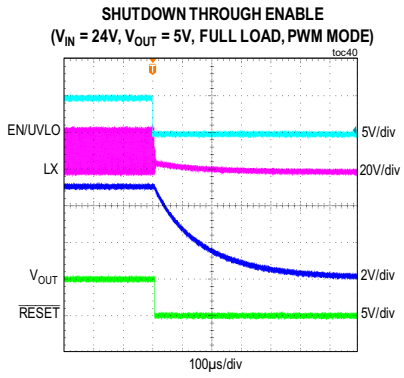
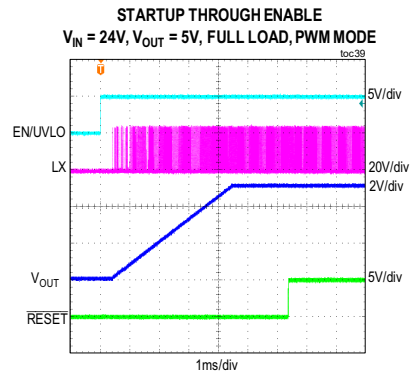
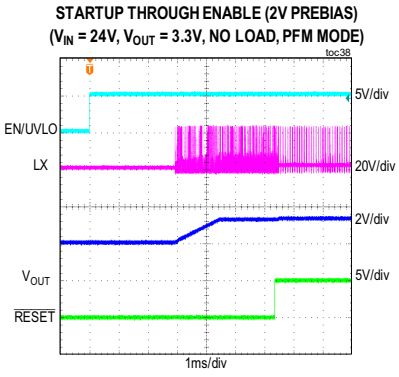
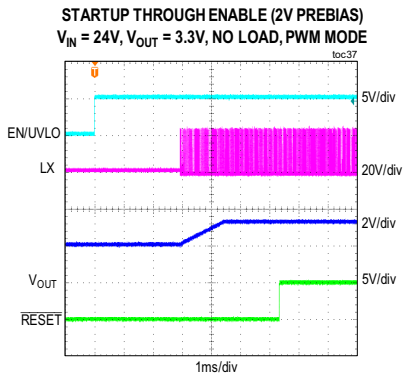
Typical Operating Characteristics (continued)

($V_{IN} = V_{EN/UVLO} = 24V$, $V_{GND} = 0V$, $T_A = -40^{\circ}C$ to $+125^{\circ}C$, unless otherwise noted. Typical values are at $T_A = +25^{\circ}C$. All voltages are referenced to GND, unless otherwise noted. The circuit values for different output-voltage applications are as in Table 1, unless otherwise noted.)



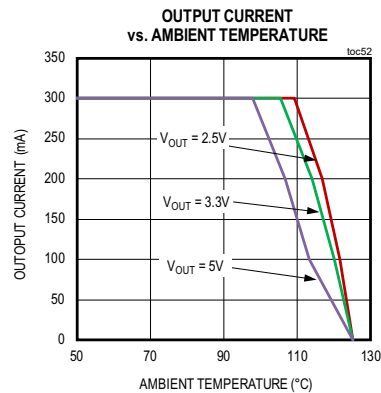
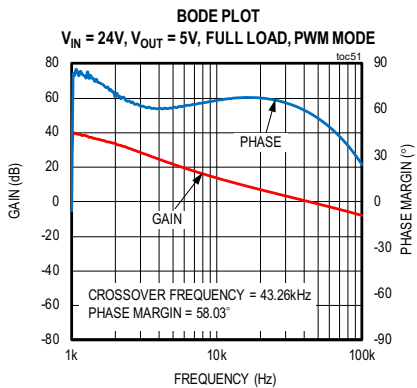
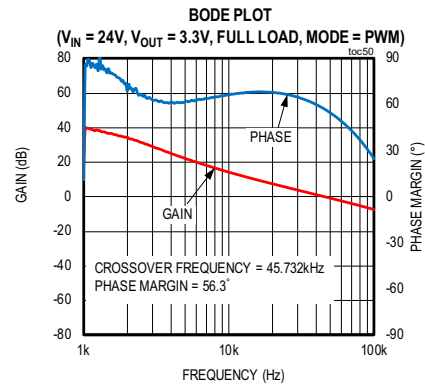
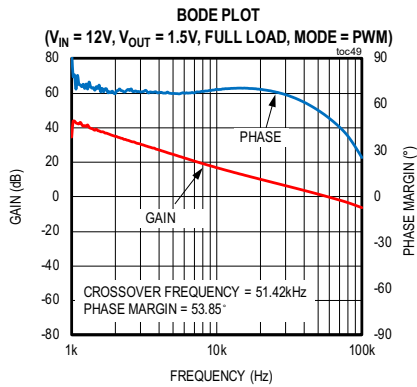
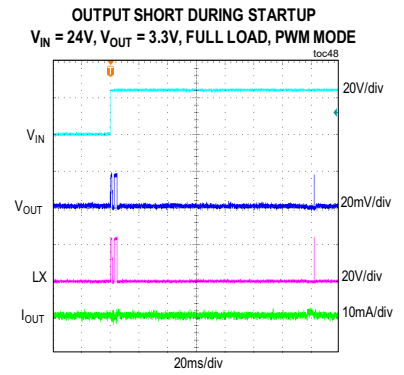
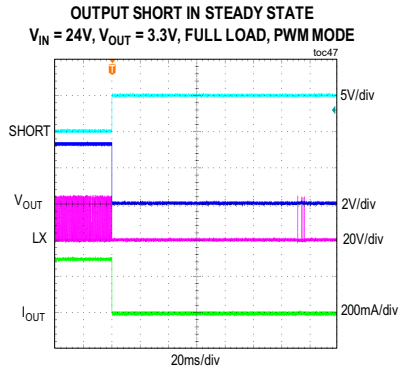
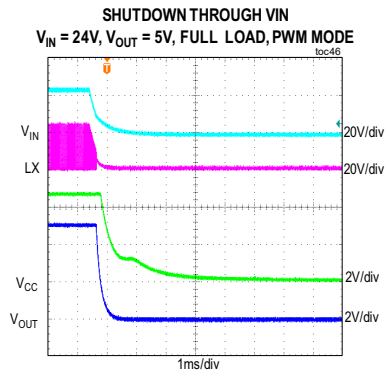
Typical Operating Characteristics (continued)

($V_{IN} = V_{EN/UVLO} = 24V$, $V_{GND} = 0V$, $T_A = -40^{\circ}C$ to $+125^{\circ}C$, unless otherwise noted. Typical values are at $T_A = +25^{\circ}C$. All voltages are referenced to GND, unless otherwise noted. The circuit values for different output-voltage applications are as in Table 1, unless otherwise noted.)

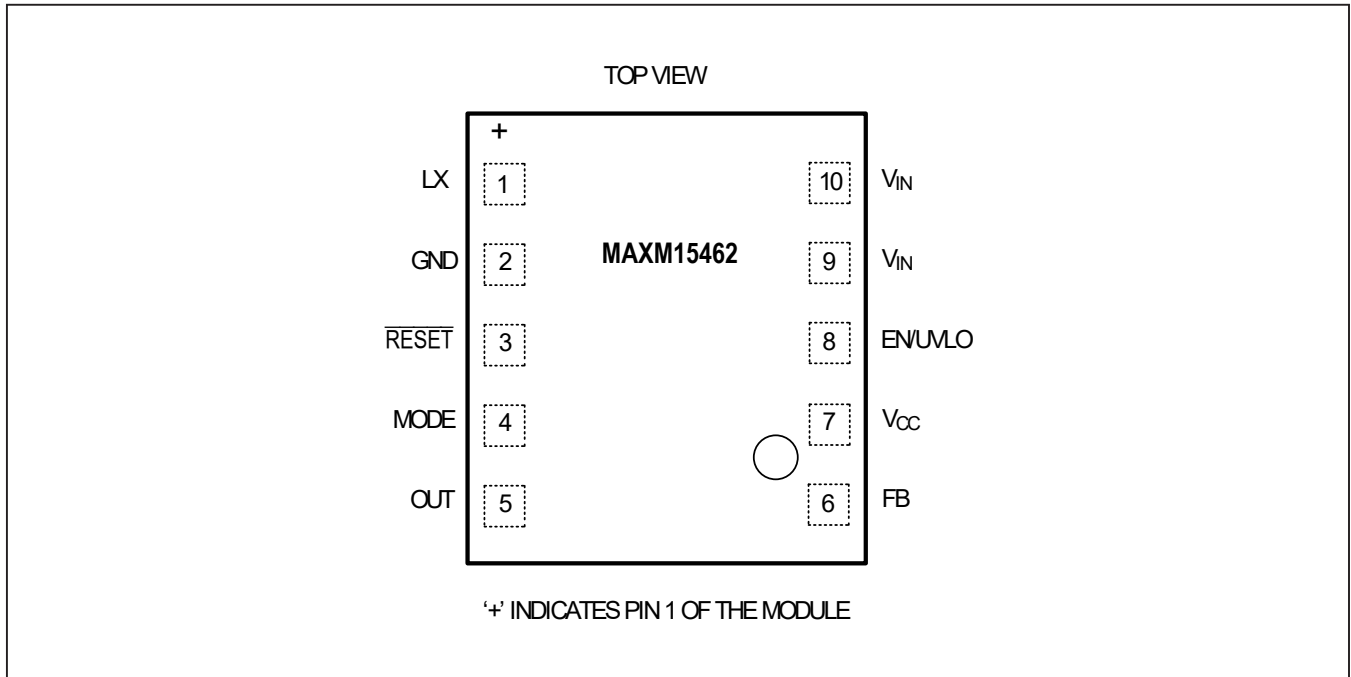


Typical Operating Characteristics (continued)

($V_{IN} = V_{EN/UVLO} = 24V$, $V_{GND} = 0V$, $T_A = -40^{\circ}C$ to $+125^{\circ}C$, unless otherwise noted. Typical values are at $T_A = +25^{\circ}C$. All voltages are referenced to GND, unless otherwise noted. The circuit values for different output-voltage applications are as in [Table 1](#), unless otherwise noted.)



Pin Configuration

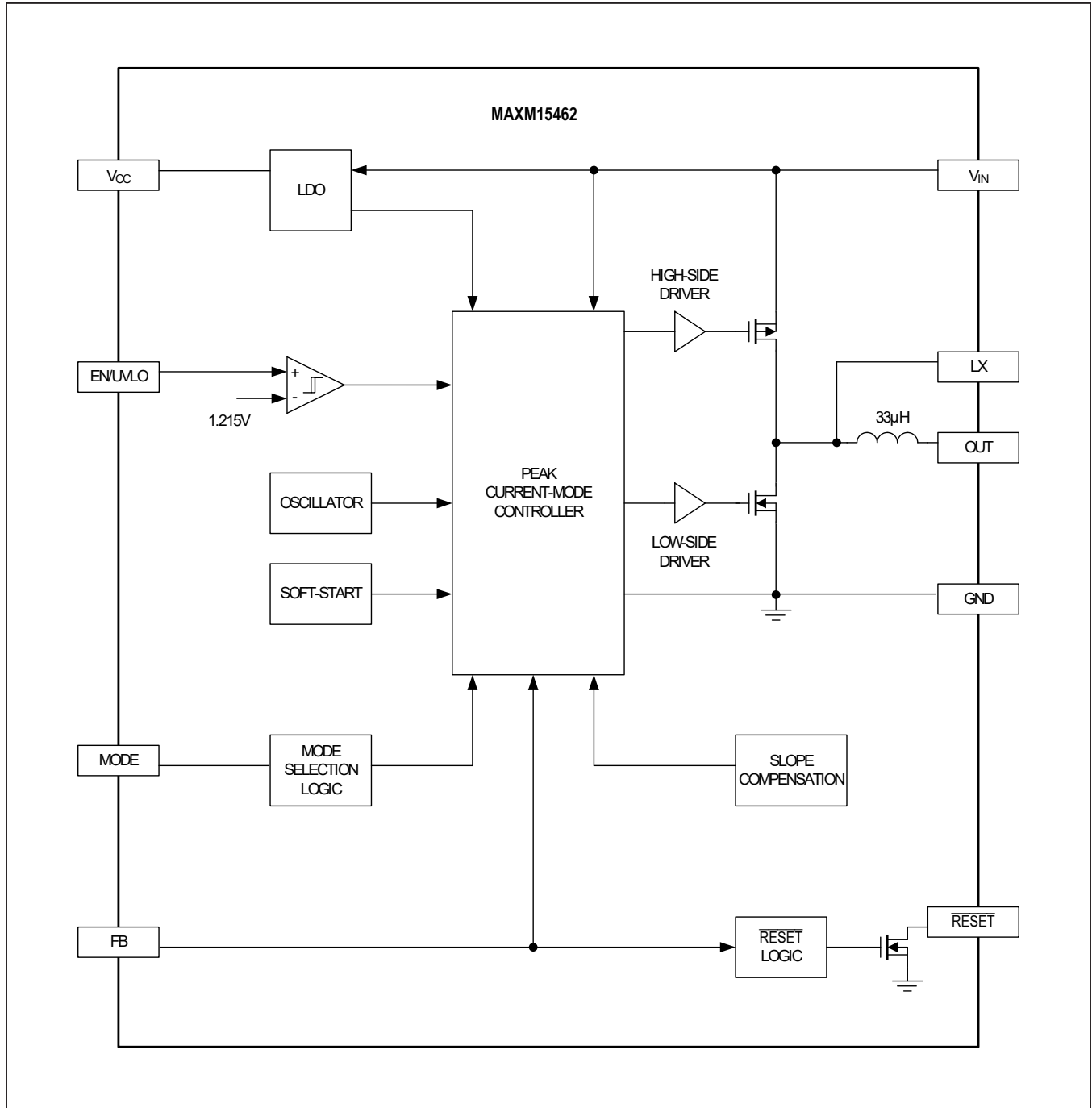


Pin Description

| PIN | NAME | FUNCTION |
|------|---------|---|
| 1 | LX | Switching Node of the Inductor. No external connection to this pin. |
| 2 | GND | Ground Pin. Connect GND to the ground plane. See the PCB Layout Guidelines section for more details. Refer to the MAXM15462 EV kit for a sample layout. |
| 3 | RESET | Open-Drain Power-Good Output. Pull up RESET to an external power supply with an external resistor. RESET goes low if FB drops below 92% of its set value. RESET goes high impedance 2ms after FB rises above 95.5% of its set value. See the Electrical Characteristics table for threshold values. |
| 4 | MODE | PFM/PWM Mode-Selection Input. Connect MODE to GND to enable fixed-frequency PWM operation at all loads. Leave MODE unconnected for PFM operation at light load. |
| 5 | OUT | Module Output Pin. Connect a capacitor from OUT to GND. See the PCB Layout Guidelines section for more details. |
| 6 | FB | Output Feedback Connection. Connect FB to a resistor-divider between OUT and GND to set the output voltage. |
| 7 | VCC | Internal LDO Power Output. Bypass VCC to GND with a minimum 1µF ceramic capacitor. |
| 8 | EN/UVLO | Active-High, Enable/Undervoltage-Detection Input. Pull EN/UVLO to GND to disable the module output. Connect EN/UVLO to VIN for always-on operation. Connect a resistor-divider between VIN, EN/UVLO, and GND to program the input voltage at which the module turns on. |
| 9–10 | VIN | Power-Supply Input. Connect the VIN pins together. Decouple to GND with a capacitor; place the capacitor close to the VIN and GND pins. See Table 1 for more details. |

Functional Diagrams

Internal Diagram



Detailed Description

The MAXM15462 module is a high-voltage, synchronous step-down DC-DC module with integrated MOSFETs and inductor, that operates over a wide 4.5V to 42V input-voltage range. The module delivers an output current up to 300mA over a programmable output-voltage range of 0.9V to 5V. When EN/UVLO and V_{CC} UVLO are ascertained, an internal power-up sequence ramps up the error-amplifier reference, resulting in an output-voltage soft-start.

The FB pin monitors the output voltage through a resistor-divider. The RESET pin transitions to a high-impedance state 2ms after the output voltage reaches 95.5% of regulation. The devices select either PFM or forced-PWM mode depending on the state of the MODE pin at power-up. By pulling the EN/UVLO pin to low, the devices enter shutdown mode and consumes only 2.2 μ A (typ) of standby current.

The module uses an internally compensated, fixed-frequency, current-mode control scheme. On the rising edge of an internal clock, the high-side pMOSFET turns on. An internal error amplifier compares the feedback voltage to a fixed internal reference voltage and generates an error voltage. The error voltage is compared to a sum of the current-sense voltage and a slope-compensation voltage by a PWM comparator to set the on-time. During the on-time of the pMOSFET, the inductor current ramps up. For the remainder of the switching period (off-time), the pMOSFET is kept off and the low-side nMOSFET turns on. During the off-time, the inductor releases the stored energy as the inductor current ramps down, providing current to the output. Under overload conditions, the cycle-by-cycle current-limit feature limits the inductor peak current by turning off the high-side pMOSFET and turning on the low-side nMOSFET.

Mode Selection (MODE)

The logic state of the MODE pin is latched after V_{CC} and EN/UVLO voltages exceed respective UVLO rising thresholds and all internal voltages are ready to allow LX switching. If the MODE pin is unconnected at power-up, the part operates in PFM mode at light loads. If the MODE pin is grounded at power-up, the part operates in constant-frequency PWM mode at all loads. State changes on the MODE pin are ignored during normal operation.

PWM Operation

In PWM mode, the module output current is allowed to go negative. PWM operation is useful in frequency sensitive applications and provides fixed switching frequency operation at all loads. However, PWM-mode of operation

gives lower efficiency at light loads compared to PFM-mode of operation.

PFM Operation

PFM mode operation disables negative output current from the module, and skips pulses at light loads for better efficiency. In PFM mode, the module output current is forced to a fixed peak of 130mA in every clock cycle until the output voltage rises to 102.3% of the nominal value. Once the output voltage reaches 102.3% of the nominal value, the high-side switch is turned off and the low-side switch is turned on. Once the module output current hits zero cross, LX goes to a high-impedance state and the module enters hibernate operation until the load current discharges the output voltage to 101.1% of the nominal value. Most of the internal blocks are turned off in hibernate operation to save quiescent current. When the output voltage falls below 101.1% of the nominal value, the module comes out of hibernate operation, turns on all internal blocks, and commences the process of delivering pulses of energy until the output voltage reaches 102.3% of the nominal value. The module naturally comes out of PFM mode and serves load requirements when the module output demands more than 130mA peak. The advantage of PFM mode is higher efficiency at light loads because of lower quiescent current drawn from supply.

Internal 5V Regulator

An internal regulator provides a 5V nominal supply to power the internal functions and to drive the power MOSFETs. The output of the linear regulator (V_{CC}) should be bypassed with a 1 μ F ceramic capacitor to GND. The V_{CC} regulator dropout voltage is typically 150mV. An undervoltage lockout circuit that disables the buck converter when V_{CC} falls below 3.8V (typ). The 400mV, V_{CC} -UVLO hysteresis prevents chattering on power-up and power-down.

Enable/Undervoltage Lockout (EN/UVLO), Soft-Start

When EN/UVLO voltage is above 1.215V (typ), the device's internal error-amplifier reference voltage starts to ramp up. The duration of the soft-start ramp is 4.1ms (typ), allowing a smooth increase of the output voltage. Driving EN/UVLO low disables both power MOSFETs, as well as other internal circuitry, and reduces V_{IN} quiescent current to below 2.2 μ A. EN/UVLO can be used as an input-voltage UVLO adjustment input. An external voltage-divider between V_{IN} and EN/UVLO to GND adjusts the input voltage at which the device turns on or turns off. If input UVLO programming is not desired, connect EN/UVLO to V_{IN} (see the [Electrical Characteristics](#) table for EN/UVLO rising and falling threshold voltages).

RESET Output ($\overline{\text{RESET}}$)

The device includes an open-drain $\overline{\text{RESET}}$ output to monitor the output voltage. $\overline{\text{RESET}}$ goes high impedance 2ms after the output rises above 95.5% of its nominal set value and pulls low when the output voltage falls below 92% of the set nominal regulated voltage. $\overline{\text{RESET}}$ asserts low during the hiccup timeout period.

Startup into a Prebiased Output

The device is capable of soft-start into a prebiased output, without discharging the output capacitor in both the PFM and forced-PWM modes. Such a feature is useful in applications where digital integrated circuits with multiple rails are powered.

Overcurrent Protection (OCP)/Hiccup Mode

The device is provided with a robust overcurrent protection (OCP) scheme that protects the device under overload and output short-circuit conditions. When the device detects either overcurrent, or if the FB node goes below 64.5% of its nominal regulation threshold, the module enters hiccup mode of operation. In hiccup mode, the converter is protected by suspending switching for a hiccup timeout period of 131ms (typ). Once the hiccup timeout period expires, soft-start is attempted again. Hiccup mode of operation ensures low power dissipation under output short-circuit conditions. The device exits Hiccup mode, if the overcurrent condition is removed or, if input power or EN/UVLO is cycled.

Thermal Overload Protection

Thermal overload protection limits the total power dissipation in the device. When the junction temperature exceeds +166°C, an on-chip thermal sensor shuts down the device, turns off the internal power MOSFETs, allowing the device to cool down. The thermal sensor turns the device on after the junction temperature cools by 10°C.

Applications Information

Input-Voltage Range

The minimum and maximum operating input voltages for a given output voltage should be calculated as follows:

$$V_{\text{IN(MIN)}} = \frac{V_{\text{OUT}} + (I_{\text{OUT}} \times 3.05)}{D_{\text{MAX}}} + (I_{\text{OUT}} \times 1.8)$$

$$V_{\text{IN(MAX)}} = \frac{V_{\text{OUT}}}{t_{\text{ON(MIN)}} \times f_{\text{SW}}}$$

where:

V_{OUT} = Steady-state output voltage,

I_{OUT} = Maximum load current,

f_{SW} = Worst-case switching frequency(535000 Hz),

D_{MAX} = Maximum duty cycle (0.89),

$t_{\text{ON(MIN)}}$ = Worst-case minimum controllable switch on-time (130ns).

Also, for duty cycle > 0.5;

$$V_{\text{IN(MIN)}} > ((4.27 \times V_{\text{OUT}}) - 9.76)$$

Selection of Input Capacitor

The input filter capacitor reduces peak currents drawn from the power source and reduces noise and voltage ripple on the input caused by the converter's switching.

The input capacitor RMS current requirement (I_{RMS}) is defined by the following equation:

$$I_{\text{RMS}} = I_{\text{OUT(MAX)}} \times \frac{\sqrt{V_{\text{OUT}} \times (V_{\text{IN}} - V_{\text{OUT}})}}{V_{\text{IN}}}$$

where, $I_{\text{OUT(MAX)}}$ is the maximum load current. I_{RMS} has a maximum value when the input voltage equals twice the output voltage ($V_{\text{IN}} = 2 \times V_{\text{OUT}}$). So,

$$I_{\text{RMS(MAX)}} = \frac{I_{\text{OUT(MAX)}}}{2}$$

Choose an input capacitor that exhibits less than a +10°C temperature rise at the RMS input current for optimal long-term reliability. Use low-ESR ceramic capacitors with high-ripple-current capability at the input. X7R capacitors are recommended in industrial applications for their tem-

perature stability. Calculate the input capacitance using the following equation:

$$C_{IN} = \frac{I_{OUT(MAX)} \times D_{MAX} \times (1 - D_{MAX})}{f_{SW} \times \Delta V_{IN}}$$

where:

D_{MAX} = Maximum duty cycle(0.89),

f_{SW} = Switching frequency,

ΔV_{IN} = Allowable input-voltage ripple.

Selection of Output Capacitor

Small ceramic X7R-grade capacitors are sufficient and recommended for output-voltage generation. The output capacitor has two functions. It provides smooth voltage and, stores sufficient energy to support the output voltage under load transient conditions and stabilizes the device’s internal control loop. Usually the output capacitor is sized to support a step load of 50% of the maximum output current in the application, such that the output-voltage deviation is less than 3%. Required output capacitance can be calculated from the following equation:

$$C_{OUT} = \frac{30}{V_{OUT}}$$

where C_{OUT} is the output capacitance in μF and V_{OUT} is the output voltage. Derating of ceramic capacitors with DC-voltage must be considered while selecting the output capacitor.

Setting the Input Undervoltage-Lockout Level

The devices offer an adjustable input undervoltage lock-out level. Set the voltage at which the device turns on with a resistive voltage-divider connected from V_{IN} to GND (see [Figure 1](#)). Connect the center node of the divider to EN/UVLO.

Choose R1 to be 3.3M Ω (max), and then calculate R2 as follows:

$$R2 = \frac{R1 \times 1.215}{V_{INU} - 1.215}$$

where V_{INU} is the voltage at which the device is required to turn on.

If the EN/UVLO pin is driven from an external signal source, a series resistance of minimum 1k Ω is recommended to be placed between the signal source output and the EN/UVLO pin, to reduce voltage ringing on the line.

Output-Voltage Setting

The MAXM15462 output voltage can be programmed from 0.9V to 5V. Set the output voltage by connecting a resistor-divider from output to FB to GND (see [Figure 2](#)).

Choose R4 less than or equal to 75k Ω and calculate R3 with the following equation:

$$R3 = R4 \times \left(\frac{V_{OUT}}{0.9} - 1 \right)$$

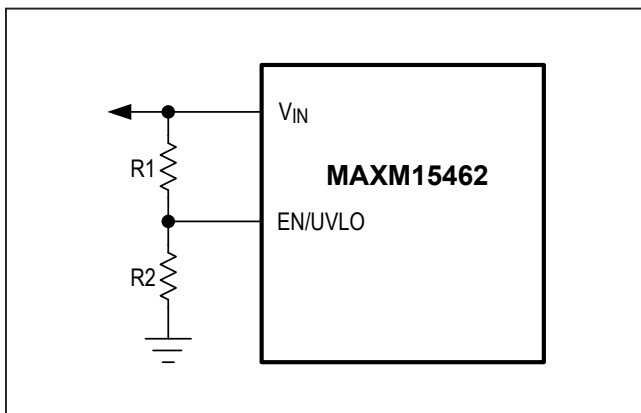


Figure 1. Adjustable EN/UVLO Network

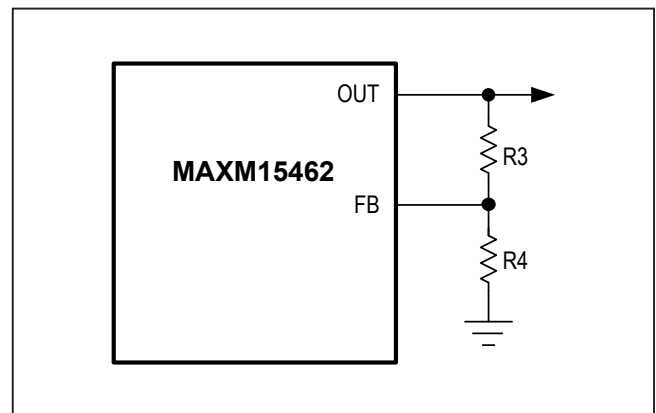


Figure 2. Setting the Output Voltage

Table 1. Selection of Components

| $V_{IN(MIN)}$ (V) | $V_{IN(MAX)}$ (V) | V_{OUT}^* (V) | C_{IN} | C_{OUT} | R3 (k Ω) | R4 (k Ω) | I_{AVG_LIMIT} (A) |
|----------------------|----------------------|--------------------|--|---|---------------------|---------------------|-------------------------|
| 4.5 | 12.5 | 0.9 | 1 x 1 μ F 0805 25V (Murata GR219R71E105KA88D) | 1 x 47 μ F 1210 6.3V (Murata GRM32ER70J476KE20L) | SHORT | OPEN | 0.53 |
| 4.5 | 14 | 1 | 1 x 1 μ F 0805 25V (Murata GR219R71E105KA88D) | 1 x 47 μ F 1210 6.3V (Murata GRM32ER70J476KE20L) | 8.33 | 75 | 0.53 |
| 4.5 | 17 | 1.2 | 1 x 1 μ F 0805 25V (Murata GR219R71E105KA88D) | 1 x 47 μ F 1210 6.3V (Murata GRM32ER70J476KE20L) | 25 | 75 | 0.52 |
| 4.5 | 21.5 | 1.5 | 1 x 1 μ F 0805 25V (Murata GR219R71E105KA88D) | 1 x 22 μ F 1206 6.3V (Murata GRM31CR70J226KE19L) | 50 | 75 | 0.51 |
| 4.5 | 25.5 | 1.8 | 1 x 1 μ F 0805 50V (Murata GRM21BR71105KA12L) | 1 x 22 μ F 1206 6.3V (Murata GRM31CR70J226KE19L) | 75 | 75 | 0.50 |
| 4.5 | 36 | 2.5 | 1 x 1 μ F 0805 50V (Murata GRM21BR71105KA12L) | 1 x 22 μ F 1206 6.3V (Murata GRM31CR70J226KE19L) | 133 | 75 | 0.48 |
| 5.5 | 42 | 3.3 | 1 x 1 μ F 0805 50V (Murata GRM21BR71105KA12L) | 1 x 10 μ F 1206 6.3V (Murata GRM31CR70J106KA01L) | 200 | 75 | 0.46 |
| 12 | 42 | 5 | 1 x 1 μ F 0805 50V (Murata GRM21BR71105KA12L) | 1 x 10 μ F 1206 6.3V (Murata GRM31CR70J106KA01L) | 348 | 75 | 0.42 |

* The MAXM15462 has a pulse skip algorithm that allows V_{OUT} to be regulated beyond the $V_{IN(MAX)}$ specified in the above table, up to 42V.

Power Dissipation

The device output current needs to be derated if the device needs to operate in high ambient temperature. The derating curves given in the [Typical Operating Characteristics](#) section can be used as a guide.

PCB Layout Guidelines

Use the following guidelines for good PCB layout:

- Keep the input capacitors as close as possible to the IN and GND pins.
- Keep the output capacitors as close as possible to the OUT and GND pins.
- Keep the resistive feedback dividers as close as possible to the FB pin.
- Keep the power traces and load connections short. Refer to the EV kit layout for first-pass success.

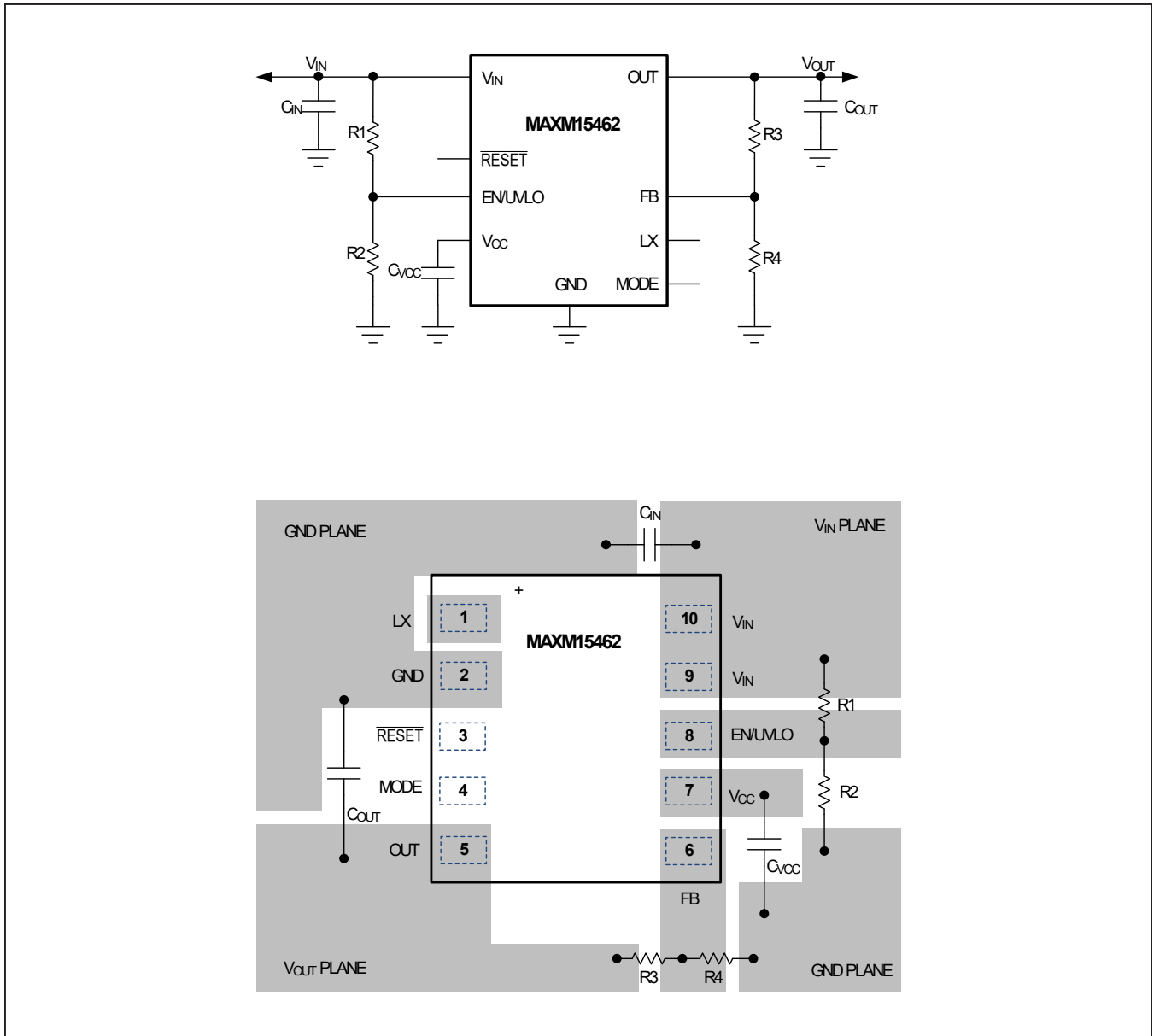
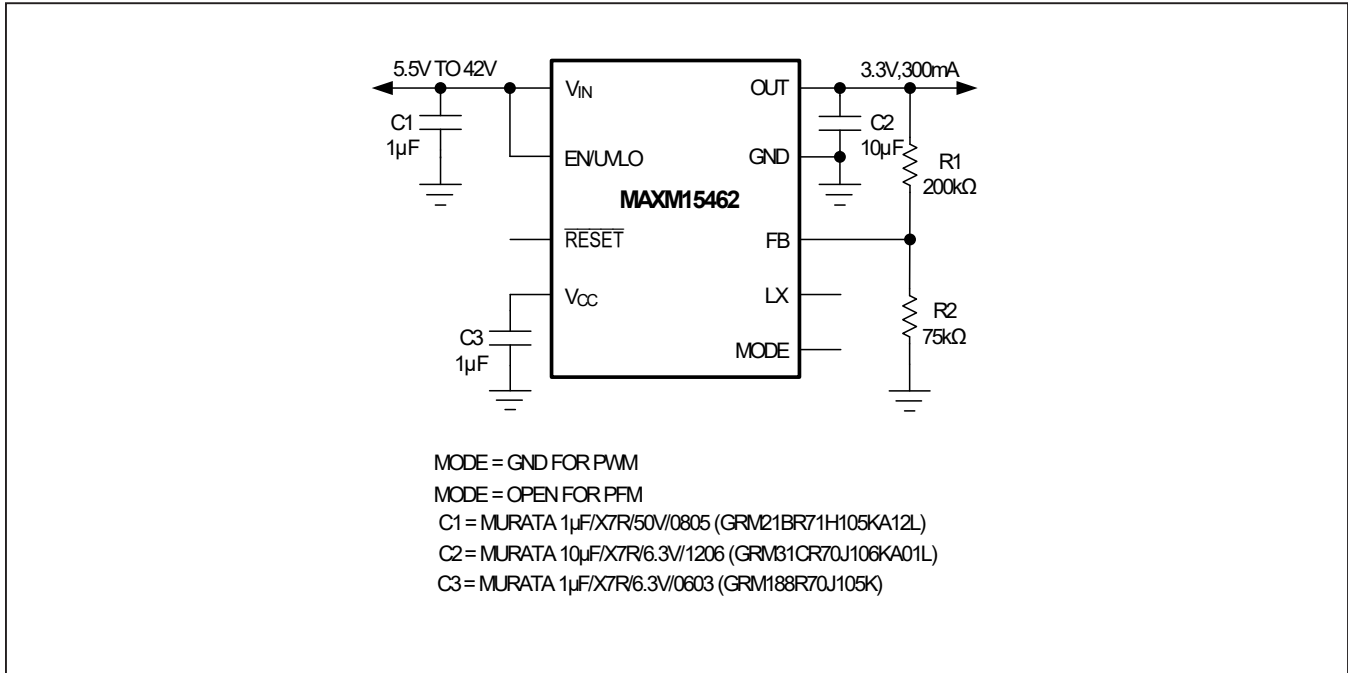


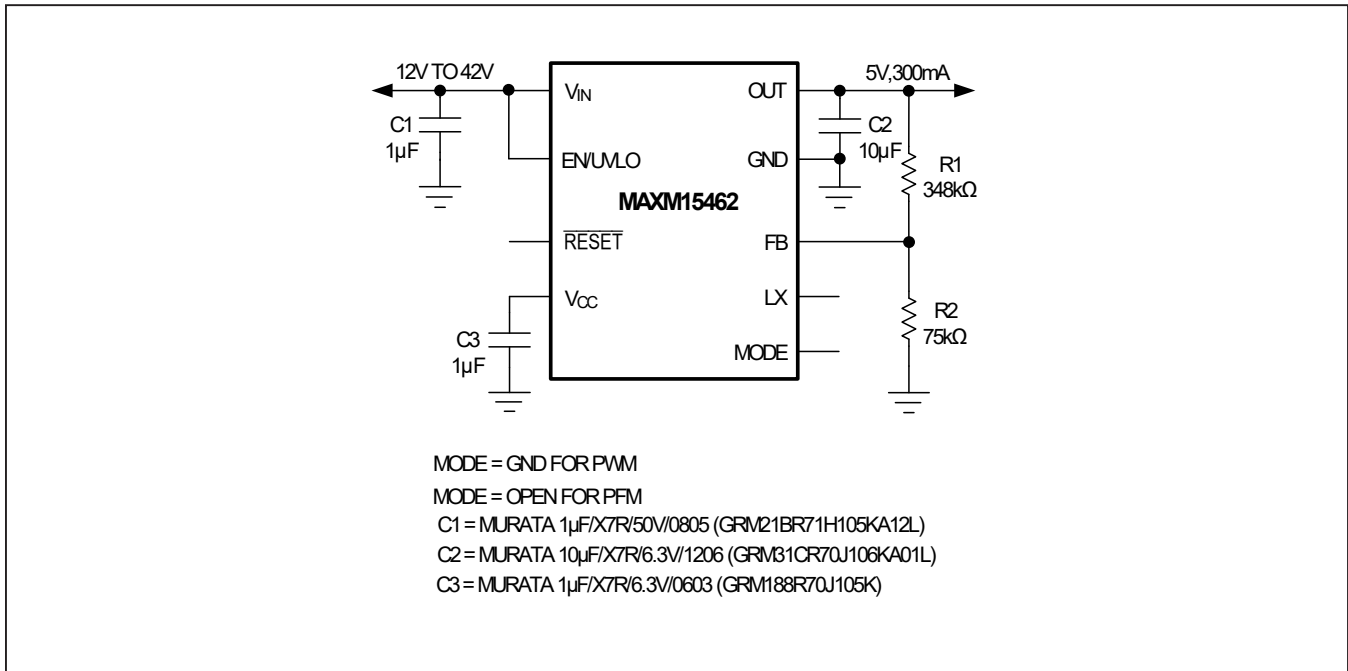
Figure 3. Layout Guidelines

Typical Application Circuits

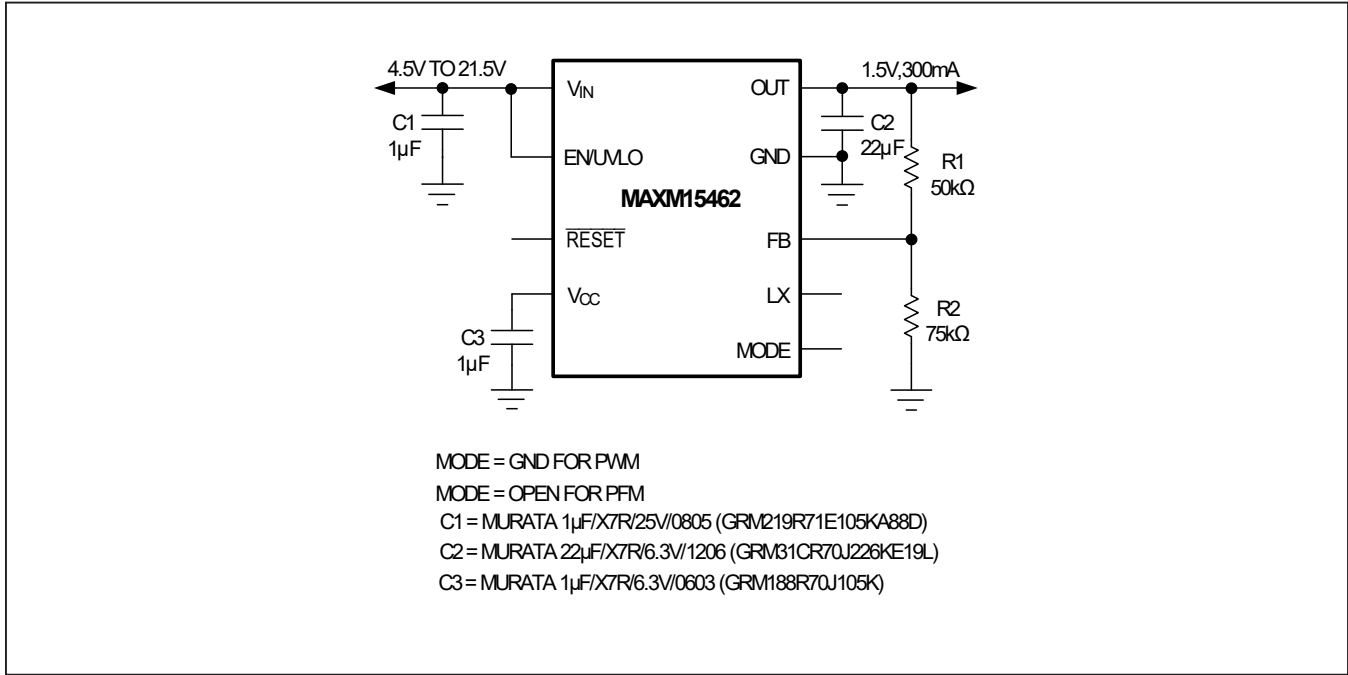
Typical Application circuit for 3.3V Output



Typical Application circuit for 5V output



Typical Application circuit for 1.5V output



Ordering Information

| PART NUMBER | TEMP RANGE | PIN-PACKAGE |
|----------------|-----------------|--------------|
| MAXM15462AMB+ | -40°C to +125°C | 10-pin uSLIC |
| MAXM15462AMB+T | -40°C to +125°C | 10-pin uSLIC |

+ Denotes a lead(Pb)-free/RoHS-compliant package.

T Denotes tape-and-reel.

Revision History

| REVISION NUMBER | REVISION DATE | DESCRIPTION | PAGES CHANGED |
|-----------------|---------------|---|---------------|
| 0 | 10/17 | Initial release | — |
| 0.1 | | Added trademark information for uSLIC | 1–2, 18 |
| 1 | 3/18 | Updated <i>General Description, Benefits and Features, Applications, Typical Application Circuit, and Absolute Maximum Ratings</i> sections | 1, 2 |
| 2 | 3/18 | Updated <i>General Description</i> section. | 1 |

For pricing, delivery, and ordering information, please contact Maxim Direct at 1-888-629-4642, or visit Maxim Integrated's website at www.maximintegrated.com.

Maxim Integrated cannot assume responsibility for use of any circuitry other than circuitry entirely embodied in a Maxim Integrated product. No circuit patent licenses are implied. Maxim Integrated reserves the right to change the circuitry and specifications without notice at any time. The parametric values (min and max limits) shown in the Electrical Characteristics table are guaranteed. Other parametric values quoted in this data sheet are provided for guidance.