

Han TC100 M-contact 25mm² protected

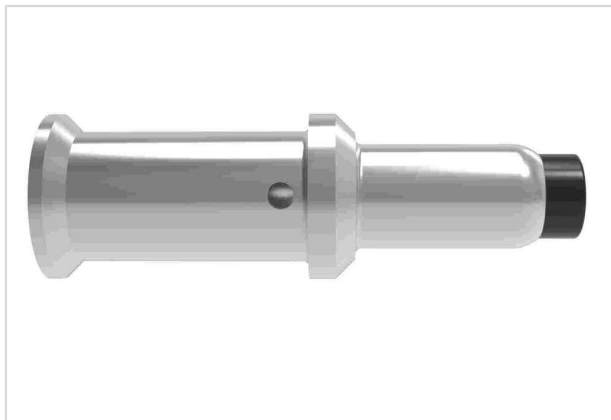


Image is for illustration purposes only. Please refer to product description.

Part number	09 11 000 7113
Specification	Han TC100 M-contact 25mm ² protected
HARTING eCatalogue	https://harting.com/09110007113

Identification

Category	Contacts
Series	TC 100
Type of contact	Crimp contact

Version

Termination method	Crimp termination
Gender	Male
Manufacturing process	Turned contacts
Details	Touch protection IPXXB in combination with the module 09140013035

Technical characteristics

Conductor cross-section	25 mm ²
Rated current	≤100 A
Contact resistance	≤0.3 mΩ
Stripping length	19 mm
Limiting temperature	-40 ... +125 °C
Mating cycles	≥500
Vibration resistance	Category 2 acc. to IEC 61373
Shock resistance	Category 2 acc. to IEC 61373

Material properties

Material (contacts)	Copper alloy Polyamide (PA)
---------------------	--------------------------------



Pushing Performance
Since 1945

Material properties

Surface (contacts)	Silver plated
RoHS	compliant
ELV status	compliant
China RoHS	e
REACH Annex XVII substances	Not contained
REACH ANNEX XIV substances	Not contained
REACH SVHC substances	Not contained
California Proposition 65 substances	Not contained

Specifications and approvals

Specifications	IEC 60664-1 IEC 61984
----------------	--------------------------

Commercial data

Packaging size	10
Net weight	16.308 g
Country of origin	Romania
European customs tariff number	85366990
eCl@ss	27440204 Contact for industrial connectors
ETIM	EC000796
UNSPSC 24.0	39121522