

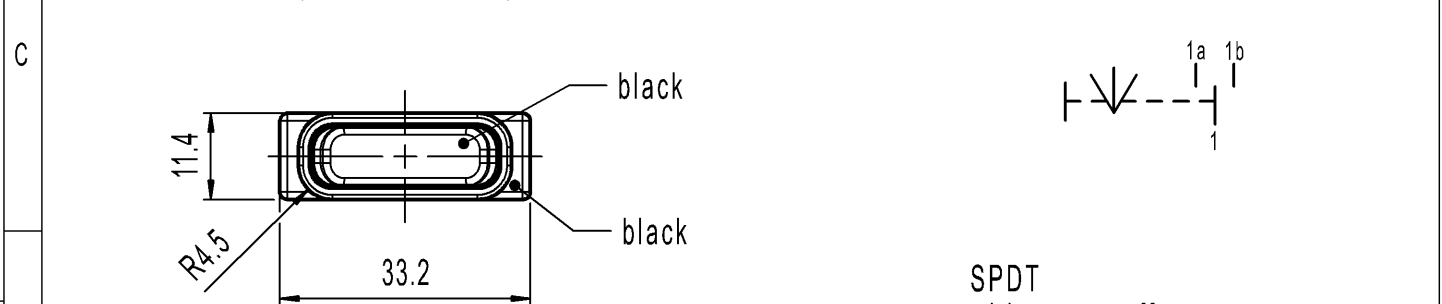
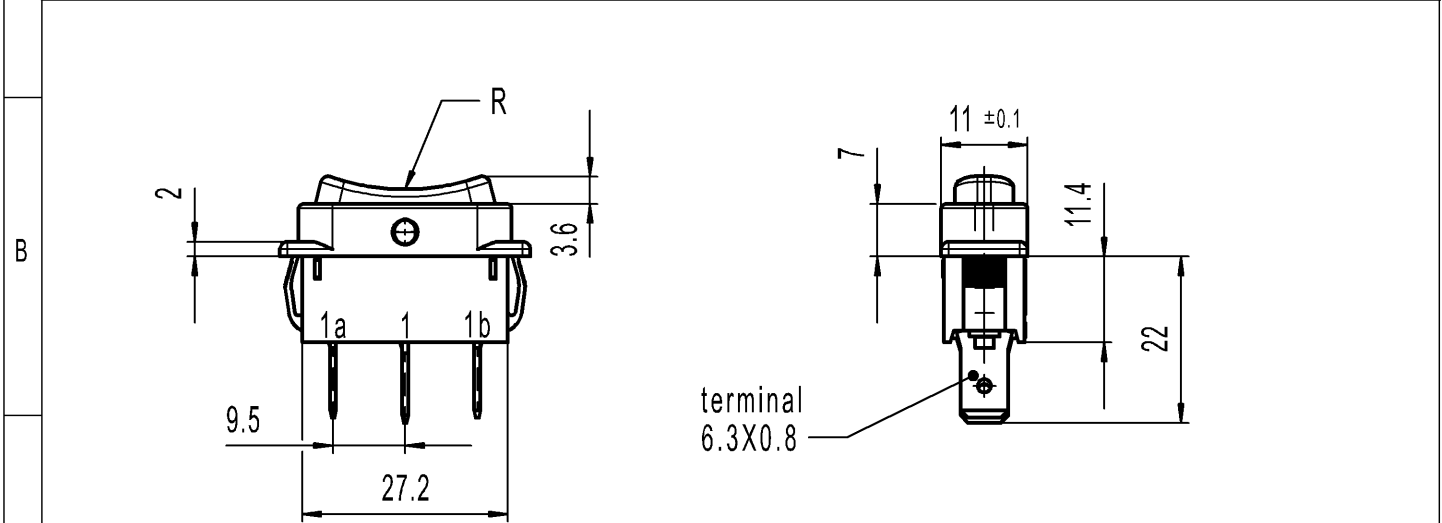
CONFIDENTIAL

VERTRAULICH

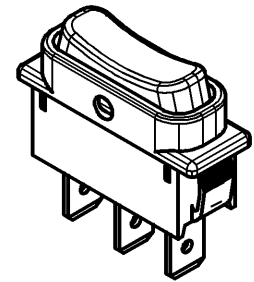
THIS DRAWING IS THE EXCLUSIVE PROPERTY OF MARQUARDT. WITHOUT THEIR CONSENT IT MAY NOT BE REPRODUCED OR GIVEN TO THIRD PARTIES.

Alle Rechte bei Marquardt, auch fuer den Fall von Schutzrechtsanmeldungen. Jede Veruegungsbefugnis, wie Kopier- und Weitergaberecht, bei uns.

A	recommended cut-out for snap-in fixing (edge opposite to snap-in direction)	1	2	3	4
			wall thickness	length of cut-out	width of cut-out
			0.75 to 1.25	30 -0.1	11+0.1
			1.25 to 2	30.2 -0.1	11+0.1
		2 to 3	30.6 -0.1	11+0.1	



SPDT
with centre-off
biased from both sides
Suitable for appliances of class II



Marking

Ⓜ
1838.
6(4)/250~T105/55



6A 125-250V AC
1/8 HP
R58

Code of manufacture: place/year/week

-	-	-	1838.8302-XX
Figure	Type	Customer Part No.	Art.No.-PI
Shape and location	Angle ± °	Sheet 01	Ident. K
	Edge tolerance	Format DIN A4	Document number 18388302
	Length	Projection	Index c
	Radii	Scale 1:1	Appliance Switch
		All dimensions are in millimetres	
c	141194	2022-05-08	
b	29986	2000-08-16	
a	29631	2000-07-04	
		1988-11-02	
Index	MEC-No.	Date (YYYY-MM-DD)	Edited by
			System NX V1899
			Replacement of Zg.gl.Nr.v.02.11.1988