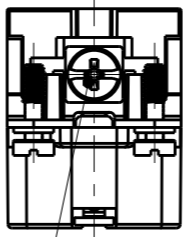
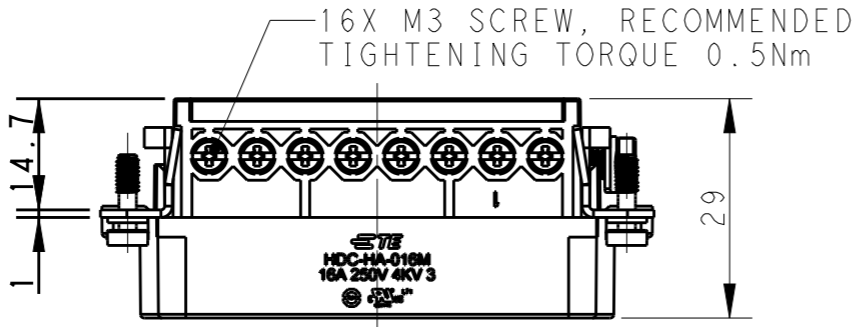
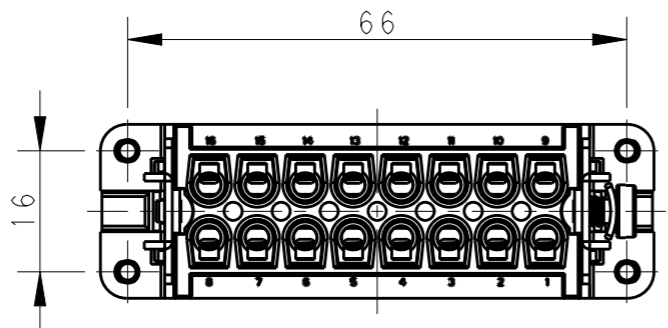
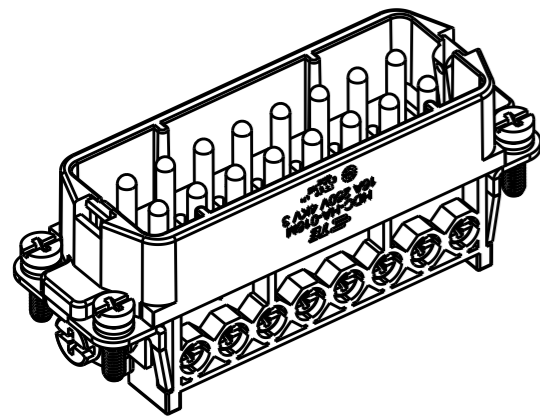


THIS DRAWING IS UNPUBLISHED. RELEASED FOR PUBLICATION 20  
 © COPYRIGHT 20 BY - ALL RIGHTS RESERVED.

REVISIONS					
P	LTR	DESCRIPTION	DATE	DWN	APVD
A1		ECR-15-004309	19MAR2015	DW	CW
B		ECR-15-013750	17SEP2015	DW	CW
B1		ECR-15-016224	05NOV2015	DW	CW
B2		ECR-18-008588	09JUL2018	KW	CW

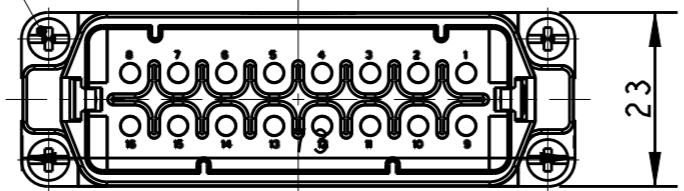


NOTES:  
 1. TECHNICAL CHARACTERISTICS:  
 INSULATION MATERIAL: PC  
 RATED VOLTAGE: 250 V  
 RATED CURRENT: 16 A  
 INSULATION RESISTANCE: >=400MΩ  
 RATED IMPULSE VOLTAGE: 4 KV  
 POLLUTION DEGREE: 3  
 FLAMMABILITY: UL94V-0  
 MATING CYCLES: 500 CYCLES  
 WIRE RANGE: 0.5-2.5 mm<sup>2</sup> (20-14 AWG)  
 CONTACT FINISH: SILVER PLATED  
 CONTACT TYPE: SCREW CONTACT

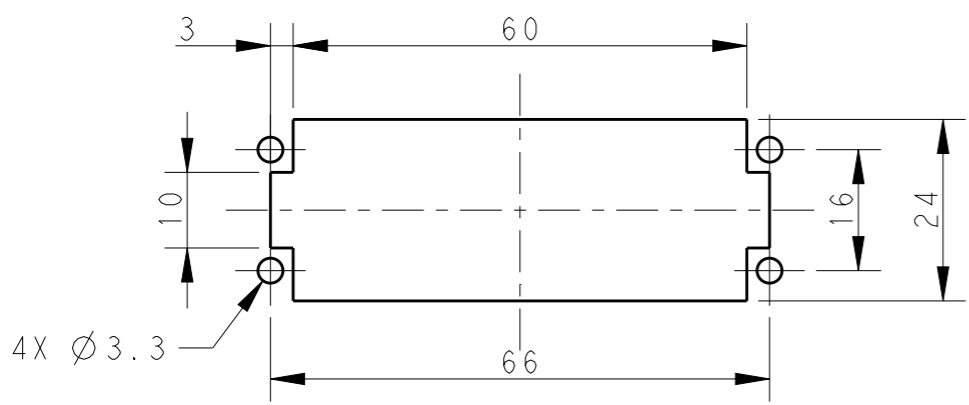
注释:  
 1. 技术参数:  
 绝缘材料: PC  
 额定电压: 250V  
 额定电流: 16A  
 绝缘电阻: >=400MΩ  
 额定脉冲电压: 4 KV  
 污染等级: 3  
 阻燃等级: UL94V-0  
 插拔次数: 500 次  
 接线范围: 0.5-2.5 mm<sup>2</sup> (20-14 AWG)  
 端子表面处理: 镀银  
 接线类型: 螺丝连接

4X M3 SCREW, RECOMMENDED TIGHTENING TORQUE 0.5Nm

M4 SCREW RECOMMENDED TIGHTENING TORQUE 1.2Nm



PANEL CUT FOR INSERTS FOR USE WITHOUT HOODS/ HOUSINGS



T2010162101-000	HA-016-M	HA-016 MALE INSERT HA-016公插
PART NUMBER 料号	PART DESCRIPTION 描述	

THIS DRAWING IS A CONTROLLED DOCUMENT.		DWN 10NOV2014 David Wang	TE Connectivity	
DIMENSIONS: mm		CHK 10NOV2014 Chris Wang		
TOLERANCES UNLESS OTHERWISE SPECIFIED:		APVD 10NOV2014 Xiang Xu	NAME HA-016-M	
0 PLC ±-		PRODUCT SPEC 108-137045	SIZE A3	
1 PLC ±-		APPLICATION SPEC 114-137045	CAGE CODE 00779	DRAWING NO T2010162101000
2 PLC ±-		WEIGHT -	RESTRICTED TO -	
3 PLC ±-		Customer Drawing		
4 PLC ±-		SCALE 1:1		
ANGLES ±-		SHEET 1 OF 1		
FINISH -		REV B2		