

81665-5 ✓ ACTIVE

AMP | AMP CPC

TE Internal #: 81665-5

Circular Connector Seals, Flange Seal, -55 – 105 °C [-67 – 221 °F],

Black, AMP CPC

[View on TE.com >](#)



Connectors > Circular Connectors > Circular Connector Accessories > Circular Connector Seals > CPC Sealed Accessories



Connector Seal & Plug Type: **Flange Seal**

Operating Temperature Range: -55 – 105 °C [-67 – 221 °F]

Primary Product Color: **Black**

Operating Temperature (Max): 105 °C [221 °F]

[All CPC Sealed Accessories \(5\)](#)

Features

Product Type Features

Connector Seal & Plug Type	Flange Seal
----------------------------	-------------

Body Features

Primary Product Color	Black
-----------------------	-------

Usage Conditions

Operating Temperature Range	-55 – 105 °C[-67 – 221 °F]
Operating Temperature (Max)	105 °C[221 °F]

Packaging Features

Packaging Quantity	1000
Packaging Method	Box

Product Compliance

[For compliance documentation, visit the product page on TE.com>](#)

EU RoHS Directive 2011/65/EU	Compliant
------------------------------	-----------

EU ELV Directive 2000/53/EC

Compliant

China RoHS 2 Directive MIIT Order No 32, 2016

No Restricted Materials Above Threshold

EU REACH Regulation (EC) No. 1907/2006

Current ECHA Candidate List: JUNE 2023 (235)

Candidate List Declared Against: JAN 2023 (233)

Does not contain REACH SVHC

Halogen Content

Not Yet Reviewed for halogen content

Solder Process Capability

Not applicable for solder process capability

Product Compliance Disclaimer

This information is provided based on reasonable inquiry of our suppliers and represents our current actual knowledge based on the information they provided. This information is subject to change. The part numbers that TE has identified as EU RoHS compliant have a maximum concentration of 0.1% by weight in homogenous materials for lead, hexavalent chromium, mercury, PBB, PBDE, DBP, BBP, DEHP, DIBP, and 0.01% for cadmium, or qualify for an exemption to these limits as defined in the Annexes of Directive 2011/65/EU (RoHS2). Finished electrical and electronic equipment products will be CE marked as required by Directive 2011/65/EU. Components may not be CE marked. Additionally, the part numbers that TE has identified as EU ELV compliant have a maximum concentration of 0.1% by weight in homogenous materials for lead, hexavalent chromium, and mercury, and 0.01% for cadmium, or qualify for an exemption to these limits as defined in the Annexes of Directive 2000/53/EC (ELV). Regarding the REACH Regulation, the information TE provides on SVHC in articles for this part number is based on the latest European Chemicals Agency (ECHA) 'Guidance on requirements for substances in articles' posted at this URL: <https://echa.europa.eu/guidance-documents/guidance-on-reach>

Compatible Parts



TE Part # CAT-AM71-C83998Y
One-Piece Connector, Sealed, CPC Series 1



TE Part # CAT-AM71-C83998J
Cable/Panel Mount Connector, CPC Series 1



TE Part # 206838-3
CPC RECPT SEALED SIZE 23-24



TE Part # CAT-AM71-C83998K
Circular Connector, Environmentally Sealed, CPC Series 6

Also in the Series | AMP CPC



Circular Connector Adapters(7)



Circular Connector Caps & Covers(16)



Circular Connector Hardware(3)



Circular Connector Keying Plugs(2)



Circular Connector Seals(36)



Circular Power Connectors(459)



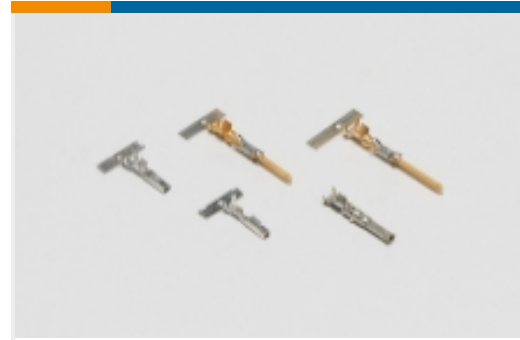
Connector Backshells(56)



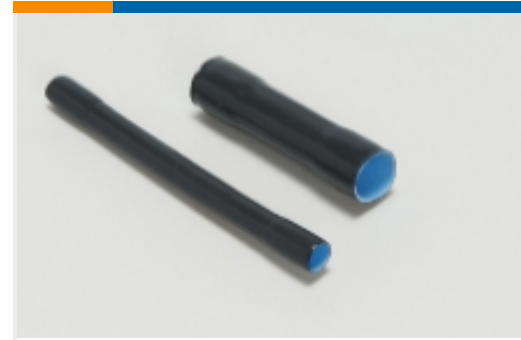
Connector Strain Relief(6)



Insertion & Extraction Tools(1)



Power Contacts(6)

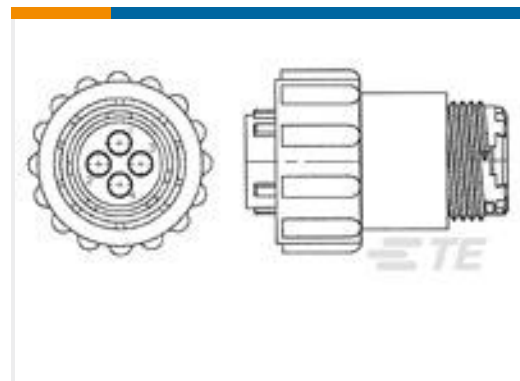


Sealing Sleeves(2)

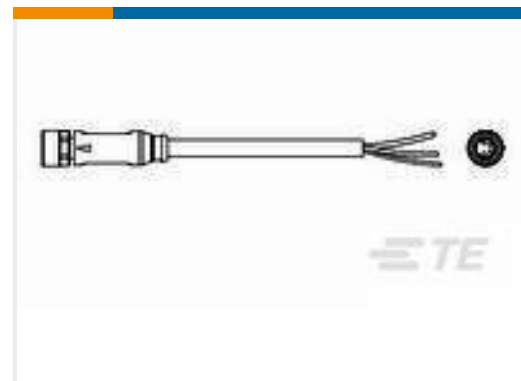
Customers Also Bought



TE Part #3-1415042-1
Force Guided Relay, DIN-rail



TE Part #796288-1
PLUG.ASSY,23-37STD SEX THRD AD



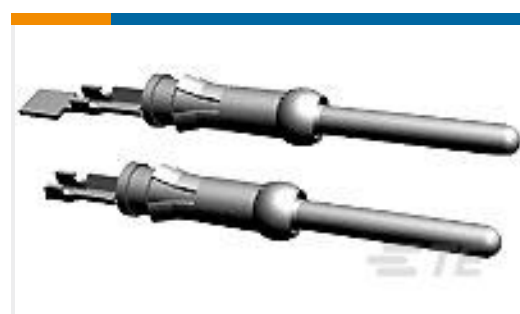
TE Part #1-2273005-1
M8 x 1.0 straight socket Pigtail Shld



TE Part #T4161120008-001
RPC-M12-MS-8CON-PUR-0.5SH



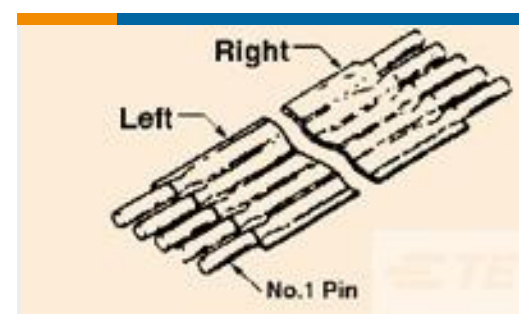
TE Part #66253-8
MALE CONTACT ASSY. (STRIP)



TE Part #1-66359-9
III+PIN,18-14,TIN,STRIP



TE Part #2351885-5
5POS TB HDR 180 DEG, PITCH 5.0&TL 4.5mm



TE Part #7-1437166-1
FSP-22A-6

Documents

Product Drawings

[ECONOSEAL, FLANGE GASKET](#)

English

CAD Files

[3D PDF](#)

English

[Customer View Model](#)

[ENG_CVM_81665-5_C.2d_dxf.zip](#)



English

Customer View Model

[ENG_CVM_81665-5_C.3d_igs.zip](#)

English

Customer View Model

[ENG_CVM_81665-5_C.3d_stp.zip](#)

English

[3D PDF](#)

3D

Customer View Model

[ENG_CVM_CVM_81665-5_E.2d_dxf.zip](#)

English

Customer View Model

[ENG_CVM_CVM_81665-5_E.3d_igs.zip](#)

English

Customer View Model

[ENG_CVM_CVM_81665-5_E.3d_stp.zip](#)

English

By downloading the CAD file I accept and agree to the [Terms and Conditions](#) of use.

Datasheets & Catalog Pages

[AMP Circular Connectors for Commercial Signal & Power Applications](#)

English

Product Specifications

[Application Specification](#)

English

Product Environmental Compliance

[MD_81665-5_103120171038_dmtec](#)

English

[MD_81665-5_103120171038_dmtec](#)

English

Instruction Sheets

[Instruction Sheet \(U.S.\)](#)

English