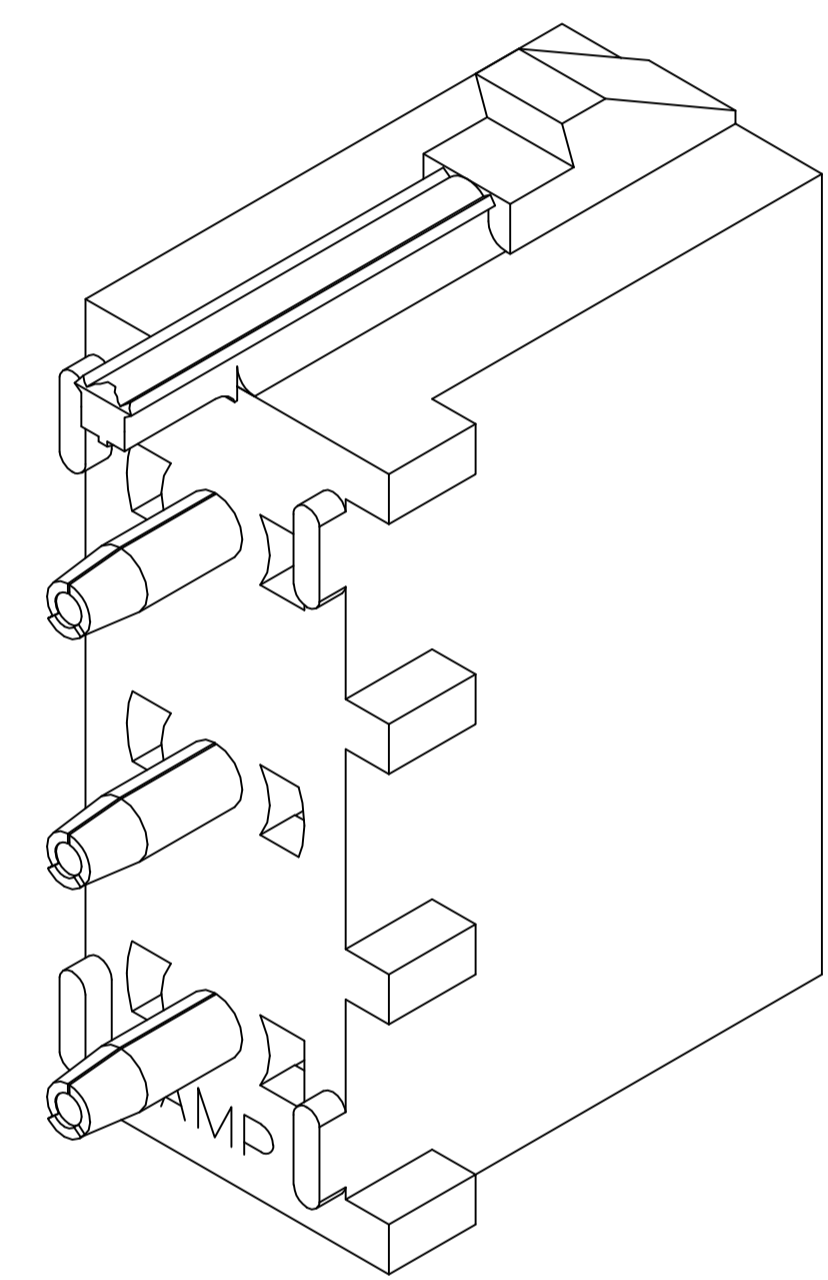
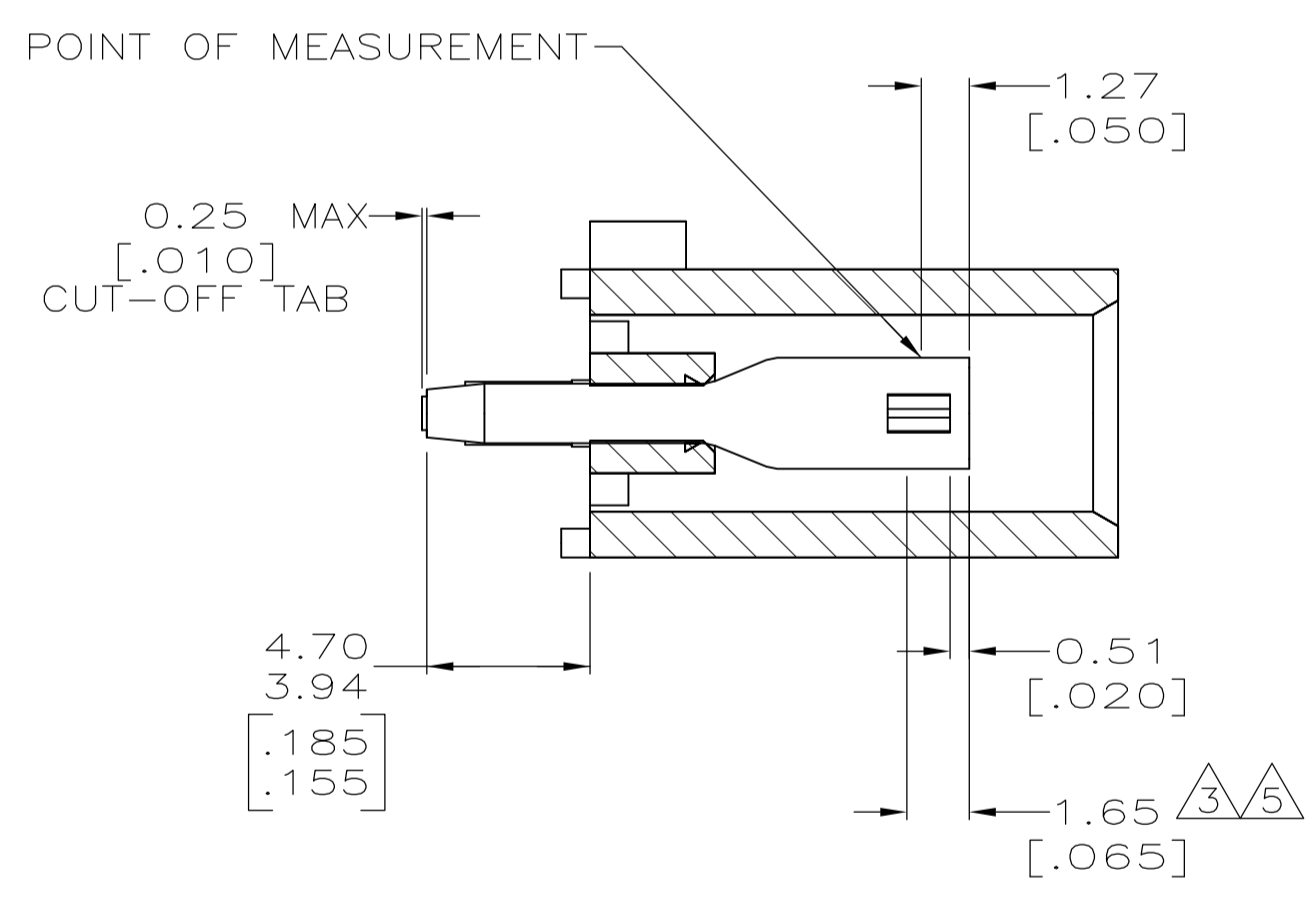
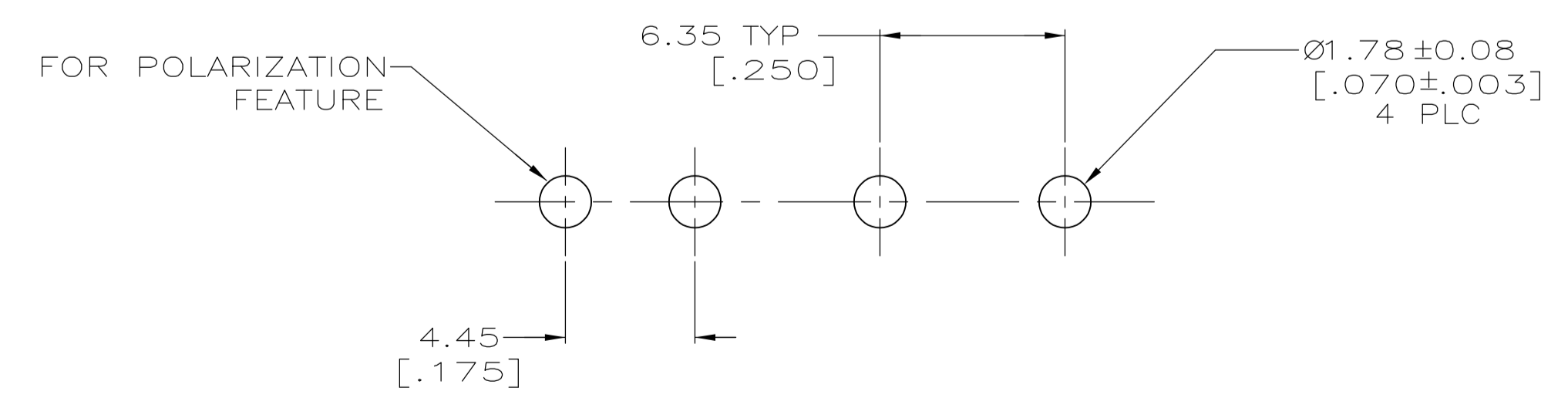


- 1 PARTS COMPLY TO AMP SOLDERABILITY SPECIFICATION 109-11-3.
- 2 CIRCUIT IDENTIFICATION CHARACTERS ARE ADJACENT TO THE INDICATED CAVITIES, BUT LOCATION AND ORIENTATION MAY DIFFER FROM PRINT.
- 3 CONTACT IS PLATED OVERALL WITH 0.00127 [.000050] NICKEL, THEN 0.00076 [.000030] GOLD OVER CONTACT LENGTH INDICATED AND MATTE TIN LEAD ON SOLDER TAIL END.
- 4 DIMENSIONS IN BRACKETS ARE IN INCHES.
- 5 CONTACT IS PLATED OVERALL WITH 0.00127 [.000050] NICKEL, THEN 0.00076 [.000030] GOLD OVER CONTACT LENGTH INDICATED AND MATTE TIN ON SOLDER TAIL END.
- 6 SUPERSEDED BY 643414-3



3-DIMENSIONAL MODEL NTS



RECOMMENDED MOUNTING HOLE PATTERN FOR 1.57 [.062] THICK P.C. BOARD

PHOSPHOR BRONZE, GOLD	NYLON,UL94V-0,WHITE	643414-3
PHOSPHOR BRONZE, GOLD	NYLON,UL94V-0,WHITE	643414-2
PHOSPHOR BRONZE, PRE-TIN	NYLON,UL94V-0,WHITE	643414-1
CONTACT MATERIAL AND FINISH	HOUSING MATERIAL	PART NUMBER

THIS DRAWING IS A CONTROLLED DOCUMENT.		DIN L McEACHIN 07-JAN-2000	TE Connectivity
DIMENSIONS: mm [INCHES]		CHK K COBLE 07-JUN-2000	
TOLERANCES UNLESS OTHERWISE SPECIFIED:		APVD K COBLE 07-JUN-2000	NAME
0 PLC ± -	1 PLC ± -	PRODUCT SPEC	SOCKET HEADER ASSEMBLY, POLARIZED,3 CIRCUIT UNIVERSAL MATE-N-LOK™
2 PLC ± 0.13 [.005]	3 PLC ± -	APPLICATION SPEC	SIZE
4 PLC ± -	ANGLES ± 0°30'	WEIGHT	CAGE CODE
MATERIAL SEE TABLE	FINISH SEE TABLE	REVISIONS	DRAWING NO
		1	A1 00779
		CUSTOMER DRAWING	643414
		SCALE 5:1	SHEET 1 OF 1
		REV J1	