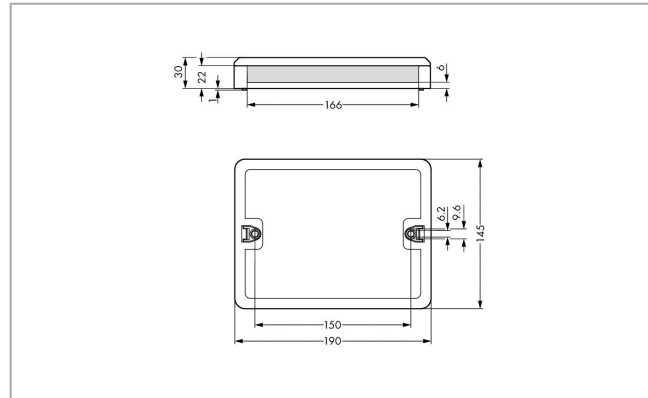
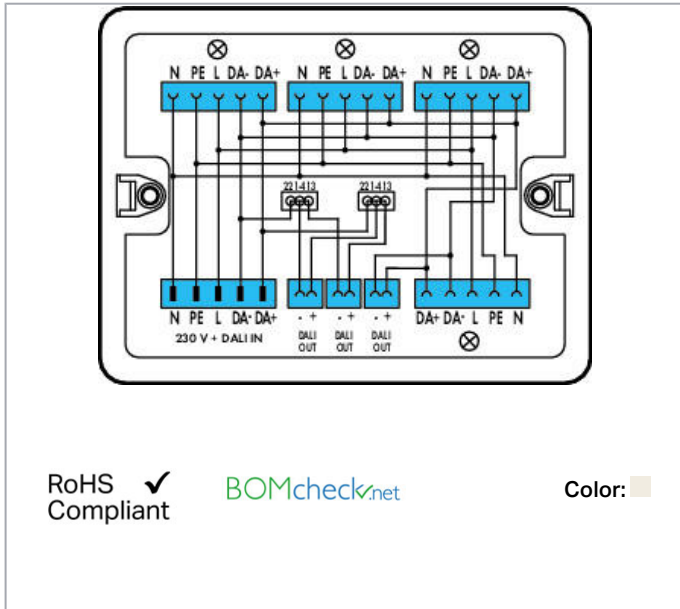


# Data sheet | Item number: 899-681/146-000

Distribution box; 230 V + DALI; 1 input; 7 outputs; Cod. I; MINI, MIDI; white

[www.wago.com/899-681/146-000](http://www.wago.com/899-681/146-000)



## Data

### Electrical data

Note on contact resistance

approx. 1 mΩ of contact resistance approx. 0.25 mΩ contact transition plug/socket

### Ratings per IEC/EN

Ratings per

IEC/EN 60664-1

Legend (ratings)

(III / 3) ≙ Overvoltage category III / Pollution degree 3

### Physical data

Width

190 mm / 7.48 inch

Height

30 mm / 1.181 inch

Depth

145 mm / 5.709 inch

### Mechanical data

Mounting type

Wall, screw mount  
Installation on mounting plate

Subject to changes. Please also observe the further product documentation!

WAGO Kontakttechnik GmbH & Co. KG  
Hansastr. 27  
32423 Minden  
Phone: +49571 887-0 | Fax: +49571 887-169  
Email: [info.de@wago.com](mailto:info.de@wago.com) | Web: [www.wago.com](http://www.wago.com)

Do you have any questions about our products?  
We are always happy to take your call at +49 (571) 887-44222.

Protection type	IP20
Note on protection type	When mated: IP2xC (These compact connectors are not designed for use in open, easily accessible areas!)

### Plug-in connection

Mismating protection	Yes
Note on mismating protection	All WINSTA <sup>®</sup> components are 100% protected against mismating when: a.) plugging different numbers of poles b.) plugging while rotated 180 c.) plugging while laterally staggered d.) plugging one pole
Locking of plug-in connection	locking lever

### Material data

Color	white
Insulation material	Polyamide (PA66)
Contact material	Copper or copper alloy (surface-treated)
Fire load	56.638 MJ
Weight	363.5 g

### Environmental requirements

Processing temperature	-5 ... +40 °C
Continuous operating temperature	-35 ... +85 °C
Note on continuous operating temperature	Insulating parts for temperatures ≤ 105 °C

### Commercial data

Packaging type	BOX
Country of origin	DE
GTIN	4055143940788
Customs tariff number	85366990990

### Counterpart



**Item no.770-1115**  
Plug; 5-pole; Cod. I; 4,00 mm<sup>2</sup>; blue

[www.wago.com/770-1115](http://www.wago.com/770-1115)



**Item no.771-9985/006-102**  
pre-assembled interconnecting cable; Eca; Socket/plug; 5-pole; Cod. I; H05VV-F 5G 1.5 mm<sup>2</sup>; 1 m; 1,50 mm<sup>2</sup>; blue

[www.wago.com/771-9985/006-102](http://www.wago.com/771-9985/006-102)



**Item no.770-1105**  
Socket; 5-pole; Cod. I; 4,00 mm<sup>2</sup>; blue

[www.wago.com/770-1105](http://www.wago.com/770-1105)

Subject to changes. Please also observe the further product documentation!



Item no.890-1112

Plug; 2-pole; 1,50 mm<sup>2</sup>; blue

[www.wago.com/890-1112](http://www.wago.com/890-1112)



Item no.891-8982/006-102

pre-assembled interconnecting cable; Eca; Socket/plug; 2-pole; Cod. I; H05VV-F 2 x 1.5 mm<sup>2</sup>; 1 m; 1,50 mm<sup>2</sup>; blue

[www.wago.com/891-8982/006-102](http://www.wago.com/891-8982/006-102)

## Downloads

### Environmental Product Compliance

#### Compliance Search

Environmental Product Compliance 899-681/146-000

URL

Download

Distribution box; 230 V + DALI; 1 input; 7 outputs; Cod. I; MINI, MIDI; white

## Installation Notes

### Installation



Securing the mounting plate with WINSTA®  
Distribution Box to the wall (e.g., via stud gun).

## Product family

### <i>WINSTA</i>® Boxen

WINSTA® ist das Steckverbindersystem, das optimal auf die hohen Anforderungen in der Gebäudeinstallation zugeschnitten ist. Es macht die Elektroinstallation steckbar und dadurch schnell, sicher und fehlerfrei. Dies gilt auch in weiteren Anwendungen wie z. B. im Schiffbau, in der Bahntechnik oder in der Industrie.

[Show all products from the family](#)

Subject to changes. Please also observe the further product documentation!

WAGO Kontakttechnik GmbH & Co. KG

Hansastr. 27

32423 Minden

Phone: +49571 887-0 | Fax: +49571 887-169

Email: [info.de@wago.com](mailto:info.de@wago.com) | Web: [www.wago.com](http://www.wago.com)

Do you have any questions about our products?

We are always happy to take your call at +49 (571) 887-44222.