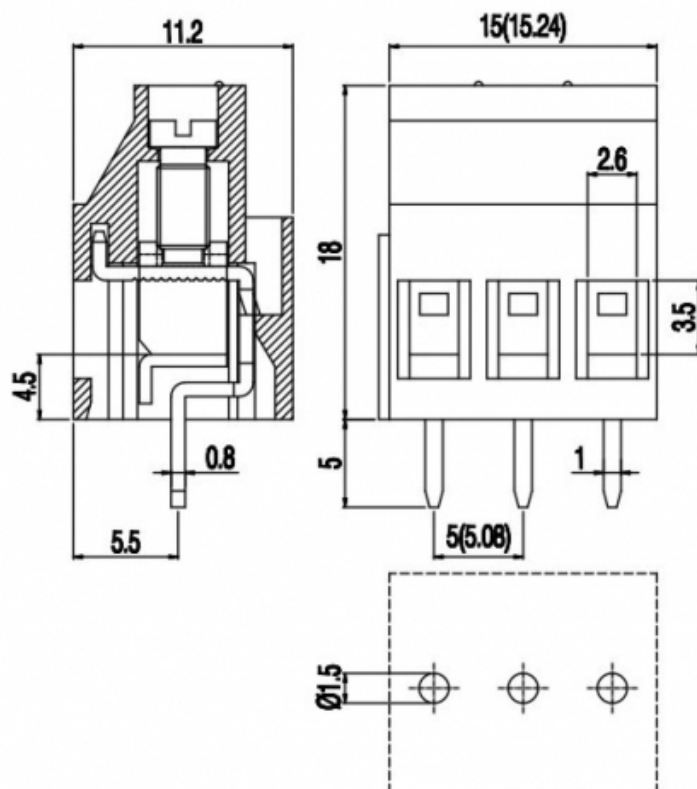
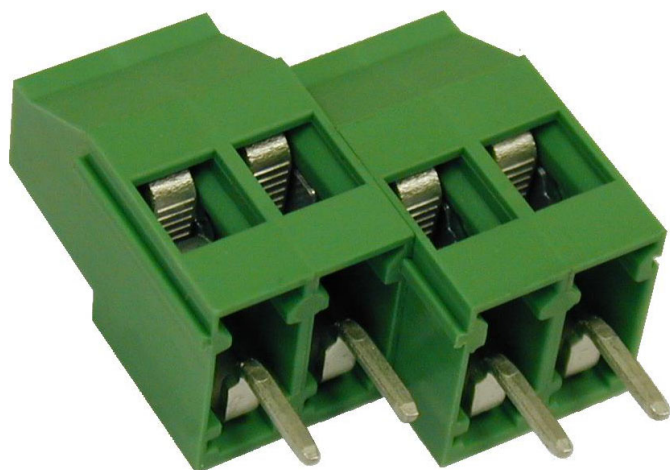


MVST25x-5,08-V euroclamp



Single-deck terminal block - Modular version - Pitch 5,08mm - 2÷3 poles

GENERAL INFORMATION

pitch:	5,08 mm
housing height:	18,00 mm
housing depth:	11.2 mm
dimensional class:	medium
wire section:	2.5 mm ² / 14 AWG
clamp opening size:	2.8 × 3.5 mm
wire stripping:	max 9 mm
operating temperature:	-40°C ÷ +105°C

ELECTRICAL CHARACTERISTICS

current:	24A
voltage:	250V
test voltage:	2 kVrms/60s

MECHANICAL CHARACTERISTICS

screw:	M2.5
max. torque:	0.4 Nm / 3.5 in.lbs

APPROVALS DATA



current:
voltage:
wire section:
torque:
FILE:

-
-
-
-
-

-
-
-
-
-

UL 1059
20A factory / -A field
300V
12÷24AWG
3.5Lb-in
E178356

MATERIALS

housing: PA - UL 94 V0
screw: Galvanized steel
clamp/spring: Steel
terminal: Tin-plated copper alloy

AVAILABLE COLOURS

 (STD)
other colours: upon request

poles	P/N	pcs/pack	W [Kg]*	W [Kg]*
2	MVST252-5,08-V	N/A	N/A	N/A
3	MVST253-5,08-V	N/A	N/A	N/A
..	MVST25...-5,08-V	N/A	N/A	N/A